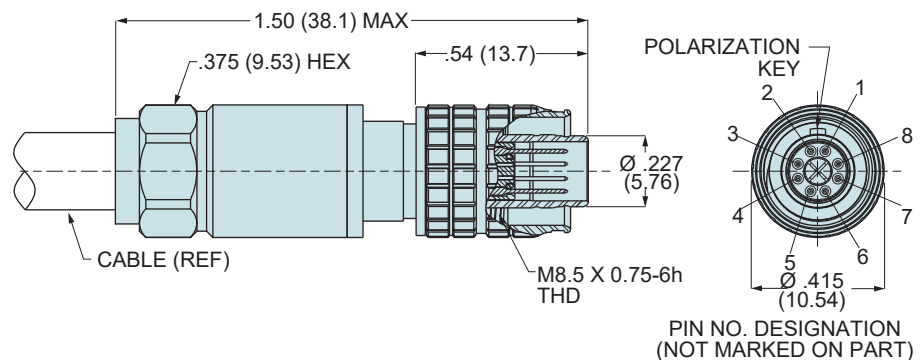


882-003 Cable Plug, Threaded Coupling, 10GbE



10Gb Ethernet. Ultraminiature. High performance. 882-003 SuperFly Datalink Octaxial connectors are compatible with #24 and #26 AWG Category 6A Ethernet cable. Supplied as unassembled kit. Terminate wires to contacts with crimp tool. 882-003 plugs have a rotating coupling nut with M8.5 metric thread. Braided cable shield terminates to connector with supplied bushing. **Mates to 882-004, 882-006 and 882-007 receptacles.**



SIZE AND WEIGHT SAVING

- Smallest 10GbE aerospace-grade connector
- Integral strain relief and cable seal
- High density contacts

FAST ASSEMBLY

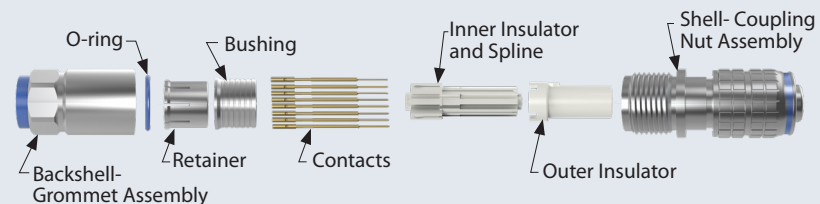
- Crimp contacts
- Easy shield termination

HARSH ENVIRONMENT

- EMI protection
- Water ingress
- Shock and vibration
- Temperature extremes

882-003 Components

Connector is supplied unassembled. Assembly instructions are packaged with kit.



How To Order 882-003 SuperFly Datalink Plugs

| Wire Size (AWG) | Cat 6A Cable Type | Cable Part No. | Cable Dia. | Shell Material and Finish | | | | |
|-----------------|-------------------|----------------|-------------|------------------------------|-----------------------|-----------------------------|----------------------|------------------------------|
| | | | | Aluminum/ Electroless Nickel | Aluminum/ Nickel-PTFE | Aluminum/ Black Zinc-Nickel | Aluminum/ Gold | Stainless Steel/ Nickel-PTFE |
| 26 | S/UTP | 963-003-26 | .220 (5.56) | 882-003-M-01 | 882-003-MT-01 | 882-003-ZR-01 | 882-003-Z2-01 | 882-003-ZMT-01 |
| 26 | S/FTP | 963-033-26 | .220 (5.56) | 882-003-M-02 | 882-003-MT-02 | 882-003-ZR-02 | 882-003-Z2-02 | 882-003-ZMT-02 |
| 24 | S/UTP | 963-037-24 | .260 (6.60) | 882-003-M-03 | 882-003-MT-03 | 882-003-ZR-03 | 882-003-Z2-03 | 882-003-ZMT-03 |
| 24 | S/FTP | 963-033-24 | .260 (6.60) | 882-003-M-04 | 882-003-MT-04 | 882-003-ZR-04 | 882-003-Z2-04 | 882-003-ZMT-04 |

Specifications

- Operating temp.: -65° to +175°C
- Impedance: 100 ohms
- DWV: 500 Vrms unmated
- Current Rating: 1.5 A
- IR: 1000 MΩ min.
- Durability: 500 mating cycles
- Ingress protection: IP67

Construction

- Shell, coupling nut, backshell: aluminum alloy or stainless steel
- Insulators: high-grade rigid dielectric
- Contacts: copper alloy, 50 microinches gold over nickel plating
- Grommet: fluorosilicone
- O-ring: fluorosilicone
- Bushing, retainer, spline: copper alloy, electroless nickel plated

Contact Crimp Tools

Hand Crimp Tool



809-015
(M22520/2-01)

Positioner for Hand Crimp Tool



859-101
(K1906)