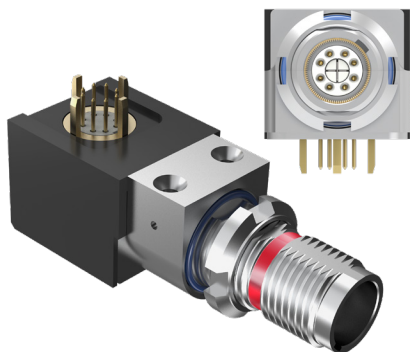


# 882-007 90° PC Tail Panel Receptacle, Threaded Coupling, 10GbE



### 10GbE. Ultraminiature. Rear panel jam nut mount. 90° PCB terminals.

882-007 SuperFly Datalink receptacles have eight female contacts. Attach to .100" (2.54 mm) maximum thickness panel with spanner nut. PC tail contacts are gold plated or solder dipped in 63/37 tin-lead. Contacts are epoxy-sealed and are non-removable. Gold-plated EMI interface spring, fluorosilicone O-rings for panel sealing and for interface sealing. *Mates to 882-003 plug.*

### SIZE AND WEIGHT SAVING

- Smallest 10Gb Ethernet aerospace-grade connector

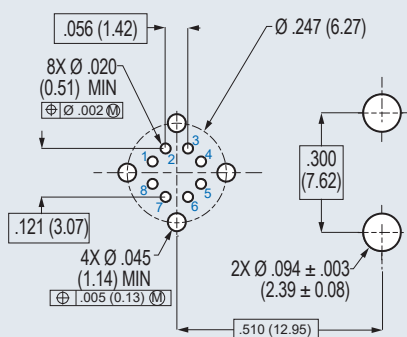
### FAST ASSEMBLY

- Pre-tinned PC tail contacts
- Epoxy-sealed terminals

### HARSH ENVIRONMENT

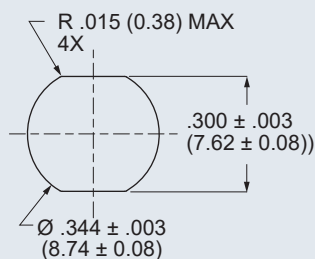
- EMI protection
- Water ingress
- Shock and vibration

### PC Board Layout



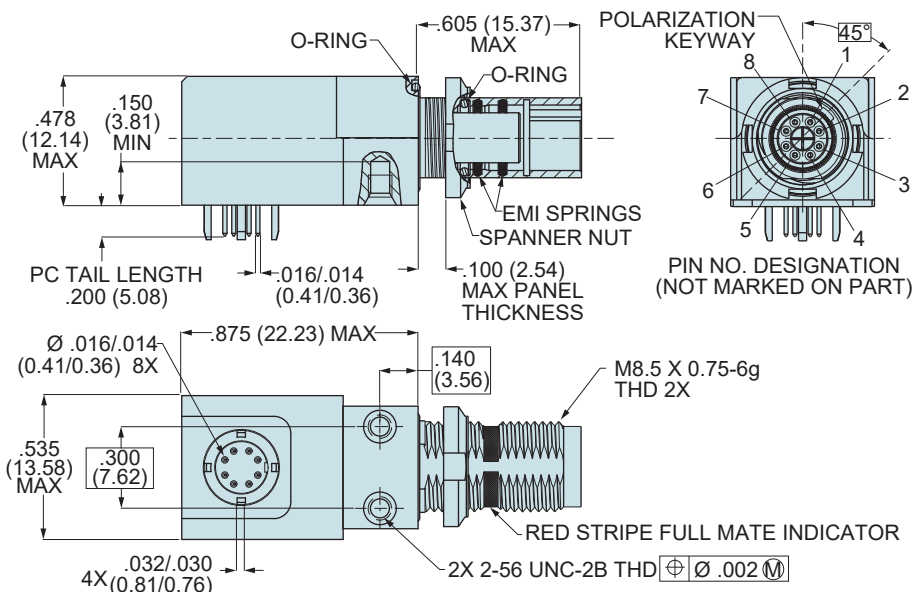
CONNECTOR SIDE OF PCB

### Panel Cutout



### How To Order 882-007 Push-Pull Receptacles

Shell Mat/ Finish	Salt Spray Hours	PC Tail Option	
		Gold Plated	Solder Dipped 63/37 Sn/Pb
Al/ Electroless Nickel	48	<b>882-007-MG-.200</b>	<b>882-007-MS-.200</b>
Al/ Nickel-PTFE	500	<b>882-007-MTG-.200</b>	<b>882-007-MTS-.200</b>
Al/ Black Zinc-Nickel	500	<b>882-007-ZRG-.200</b>	<b>882-007-ZRS-.200</b>
Al/ Gold	48	<b>882-007-Z2G-.200</b>	<b>882-007-Z2S-.200</b>
SST/ Nickel-PTFE	500	<b>882-007-ZMTG-.200</b>	<b>882-007-ZMTS-.200</b>



### Specifications

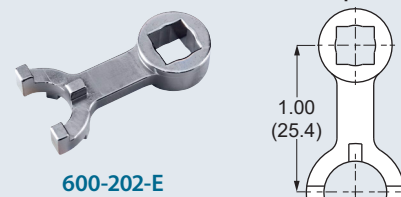
- Operating temp.: -65° to +175°C
- Impedance: 100 ohms
- DWV: 500 Vrms unmatd
- Current Rating: 1.5 A
- IR: 1000 MΩ min.
- Durability: 500 mating cycles
- Ingress protection: IP67

### Construction

- Shell, jam nut: aluminum alloy or SST
- Insulators and tray: high-grade rigid dielectric
- Contacts: copper alloy, 50 microinches gold over nickel plating
- O-rings: fluorosilicone
- EMI spring: stainless steel, gold plated
- Spline: copper alloy, nickel plated
- Potting: epoxy

### Spanner Nut Tightening Tool

Nickel-plated tool steel, 1/4" sq. drive  
 13 - 18 in.-lbs. recommended torque



600-202-E