

882-009 Cable Plug, Push-Pull QDC Coupling, USB 3.0



SuperSpeed USB. Ultraminiature. High performance. 882-009 SuperFly Datalink connectors have eight male contacts. Compatible with aerospace-grade 90 ohm SuperSpeed USB cable. Supplied as unassembled kit. Terminate wires to contacts with crimp tool. 882-009 plugs feature push-pull mating and unmating. Braided cable shield terminates to connector with supplied bushing. **Mates to 882-010, 882-013 and 882-016 receptacles.**

SIZE AND WEIGHT SAVING

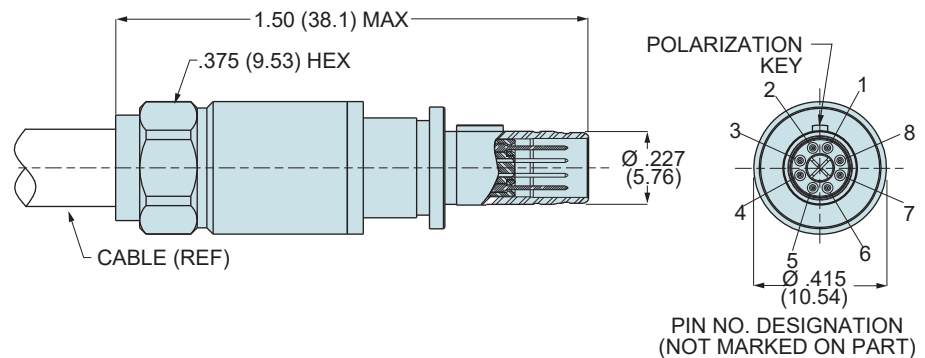
- .415 inch (10.5 mm.) diameter
- Integral strain relief and cable seal
- High density contacts

HIGH SPEED

- 5 Gbps
- Low-dielectric material

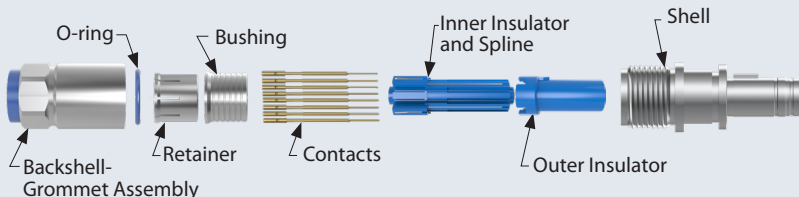
HARSH ENVIRONMENT

- EMI protection
- Water ingress
- Shock and vibration
- Temperature extremes
- Corrosion resistance



882-009 Components

Connector is supplied unassembled. Assembly instructions are packaged with kit.



How To Order 882-009 SuperFly Datalink Plugs for USB 3.0

Cable Type	Cable Part No.	Cable Dia.	Shell Material and Finish				
			Aluminum/ Electroless Nickel	Aluminum/ Nickel-PTFE	Aluminum/ Black Zinc-Nickel	Aluminum/ Gold	Stainless Steel/ Nickel-PTFE
USB 3.1, Aerospace-Grade Fluoropolymer Insulation -65° to +200°C	963-110	.225 (5.72)	882-009-M-01	882-009-MT-01	882-009-ZR-01	882-009-Z2-01	882-009-ZMT-01
USB 3.0, Commercial-Grade PVC Insulation 0 to +80°C	963-118	.220 (5.56)	882-009-M-02	882-009-MT-02	882-009-ZR-02	882-009-Z2-02	882-009-ZMT-02

Specifications

- **Operating temp.:** -65° to +125°C (0 to +80°C for commercial-grade cable)
- **Impedance:** 90 ohms
- **DWV:** 500 Vrms unmated
- **Current Rating:** 1.5 A
- **IR:** 1000 MΩ min.
- **Durability:** 500 mating cycles
- **Ingress protection:** IP67

Construction

- **Shell, backshell:** aluminum alloy or stainless steel
- **Insulators:** low dielectric thermoplastic
- **Contacts:** copper alloy, 50 microinches gold over nickel plating
- **Grommet:** fluorosilicone
- **O-ring:** fluorosilicone
- **Bushing, retainer:** copper alloy, electroless nickel plated
- **Spline:** rigid dielectric

Contact Crimp Tools

Hand Crimp Tool



809-015
(M22520/2-01)

Positioner for
Hand Crimp Tool



859-101
(K1906)