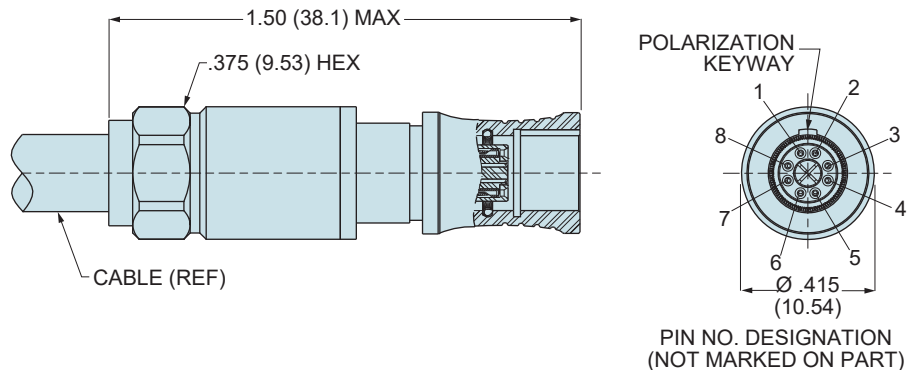


882-010 Cable Receptacle, Push-Pull QDC Coupling, USB 3.0



SuperSpeed USB. Ultraminiature. High performance. 882-010 SuperFly Datalink connectors have eight female contacts. Compatible with aerospace-grade 90 ohm SuperSpeed USB cable. Supplied as unassembled kit. Terminate wires to contacts with crimp tool (purchased separately). M8.5 metric mating thread. Internal O-ring and gold-plated EMI spring. Braided cable shield terminates to connector with supplied bushing. **Mates to 882-009 plug.**



SIZE AND WEIGHT SAVING

- 415 inch (10.5 mm.) diameter
- Integral strain relief and cable seal
- High density contacts

HIGH SPEED

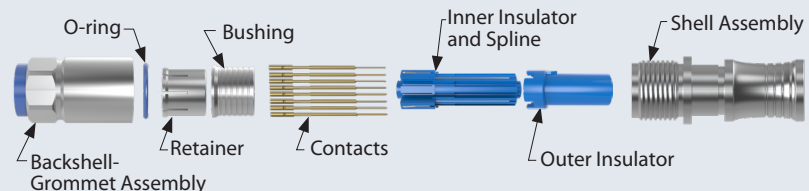
- 5 Gbps
- Low-dielectric material

HARSH ENVIRONMENT

- EMI protection
- Water ingress
- Shock and vibration
- Temperature extremes
- Corrosion resistance

882-010 Components

Connector is supplied unassembled. Assembly instructions are packaged with kit.



How To Order 882-010 SuperFly Datalink Plugs for USB 3.0

Cable Type	Cable Part No.	Cable Dia.	Shell Material and Finish				
			Aluminum/ Electroless Nickel	Aluminum/ Nickel-PTFE	Aluminum/Black Zinc-Nickel	Aluminum/ Gold	Stainless Steel/ Nickel-PTFE
USB 3.1, Aerospace-Grade Fluoropolymer Insulation -65° to +200° C	963-110	.225 (5.72)	882-010-M-01	882-010-MT-01	882-010-ZR-01	882-010-Z2-01	882-010-ZMT-01
USB 3.0, Commercial-grade PVC Insulation 0 to +80° C	963-118	.220 (5.56)	882-010-M-02	882-010-MT-02	882-010-ZR-02	882-010-Z2-02	882-010-ZMT-02

Specifications

- **Operating temp.:** -65° to +125°C (0 To +80°C for commercial-grade cable)
- **Impedance:** 90 ohms
- **DWV:** 500 Vrms unmated
- **Current Rating:** 1.5 A
- **IR:** 1000 MΩ min.
- **Durability:** 500 mating cycles
- **Ingress protection:** IP67

Construction

- **Shell, backshell:** aluminum alloy or stainless steel
- **Insulators:** low dielectric thermoplastic
- **Contacts:** copper alloy, 50 microinches gold over nickel plating
- **Grommet:** fluorosilicone
- **O-rings:** fluorosilicone
- **EMI spring:** stainless steel, gold plated
- **Bushing, retainer:** copper alloy, electroless nickel plated
- **Spline:** rigid dielectric

Contact Crimp Tools

Hand Crimp Tool



809-015
(M22520/2-01)

Positioner for
Hand Crimp Tool



859-101
(K1906)