

882-013 PC Tail Panel Receptacle, Push-Pull Coupling, USB 3.0



SuperSpeed USB. Ultraminiature. Rear panel mount. PCB terminals.

882-013 SuperFly Datalink receptacles have eight female contacts. Attach to .100" (2.54 mm) maximum thickness panel with spanner nut. PC tail contacts are gold plated or solder dipped in 63/37 tin-lead. Contacts are epoxy-sealed and are non-removable. Gold-plated EMI interface spring, fluorosilicone O-rings for panel sealing and for interface sealing. *Mates to 882-009 plug.*

SIZE AND WEIGHT SAVING

- .451 inch (11.5 mm.) diameter

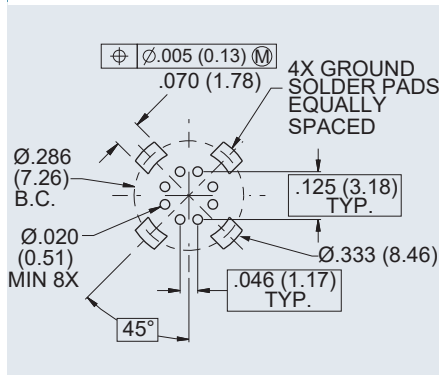
SUPERSPEED

- 5 Gbps
- Low-dielectric insulators

HARSH ENVIRONMENT

- EMI protection
- Water ingress
- Shock and vibration

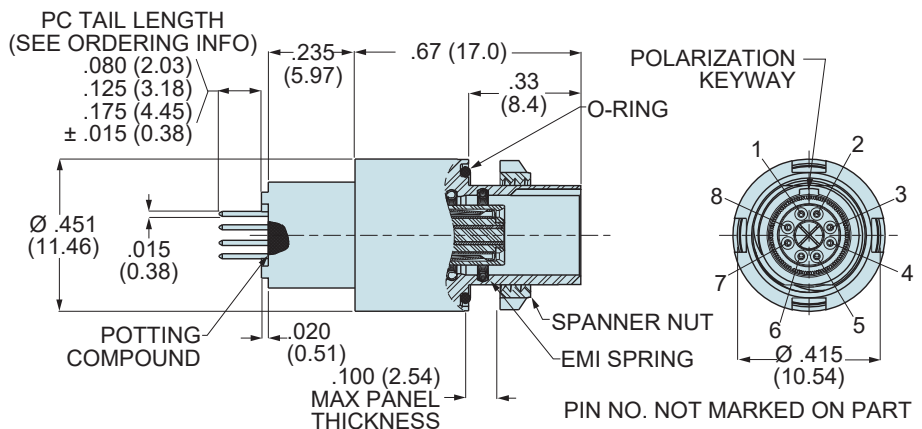
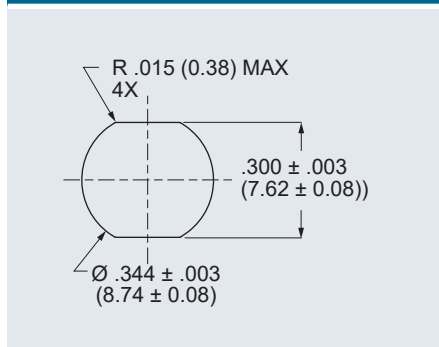
Recommended PC Board Layout



How To Order

Sample Part Number	882-013	-ZR	S	-.080
Product	882-013 = SuperFly Datalink Panel Mount PC Tail Receptacle, Push-Pull			
Shell Finish	M = Electroless Nickel (aluminum shell) MT = Nickel-PTFE (aluminum shell) ZR = Black Zinc-Nickel (aluminum shell) Z2 = Gold (aluminum shell) ZMT = Nickel-PTFE (stainless steel shell)			
PC Tail Finish	S = Solder dip, 63/37 tin-lead G = Gold			
PC Tail Length	.080 = .080" (2.03 mm.) .125 = .125" (3.18 mm.) .175 = .175" (4.45 mm.)			

Recommended Panel Cutout



Specifications

- Operating temp.: -65° to +125°C
- Impedance: 90 ohms
- DWV: 500 Vrms unmated
- Current Rating: 1.5 A
- IR: 1000 MΩ min.
- Durability: 500 mating cycles
- Ingress protection: IP67

Construction

- Shell, jam nut: aluminum alloy or SST
- Insulators: high-grade rigid dielectric
- Contacts: copper alloy, 50 microinches gold over nickel plating
- O-rings: fluorosilicone
- EMI spring: stainless steel, gold plated
- Spline: polyimide
- Potting: epoxy

Spanner Nut Tightening Tool

Nickel-plated tool steel, 1/4" sq. drive
 13 - 18 in.-lbs. recommended torque



600-202-E

