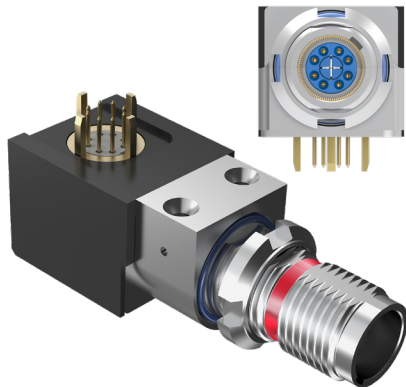


# 882-015 90° PC Tail Panel Receptacle, Threaded Coupling, USB 3.0



**SuperSpeed USB. Ultraminiature. Rear panel mount. PCB terminals.**

882-015 SuperFly Datalink receptacles have eight female contacts. Attach to .100" (2.54 mm) maximum thickness panel with spanner nut. PC tail contacts are gold plated or solder dipped in 63/37 tin-lead. Contacts are epoxy-sealed and are non-removable. Gold-plated EMI interface spring, fluorosilicone O-rings for panel sealing and for interface sealing. **Mates to 882-011 plug.**

**SIZE AND WEIGHT SAVING**

- 451 inch (11.5 mm.) diameter

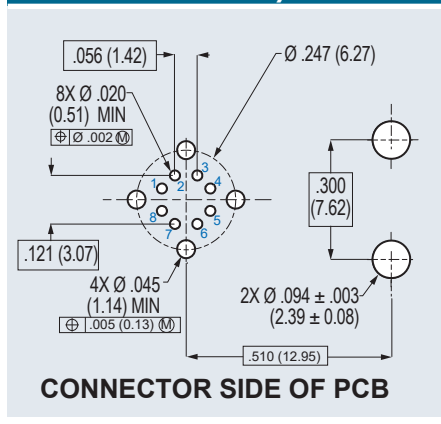
**HIGH SPEED**

- 5 Gbps
- Low-dielectric insulators

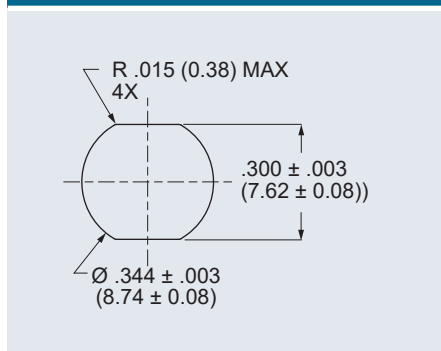
**HARSH ENVIRONMENT**

- EMI protection
- Water ingress
- Shock and vibration

**PC Board Layout**

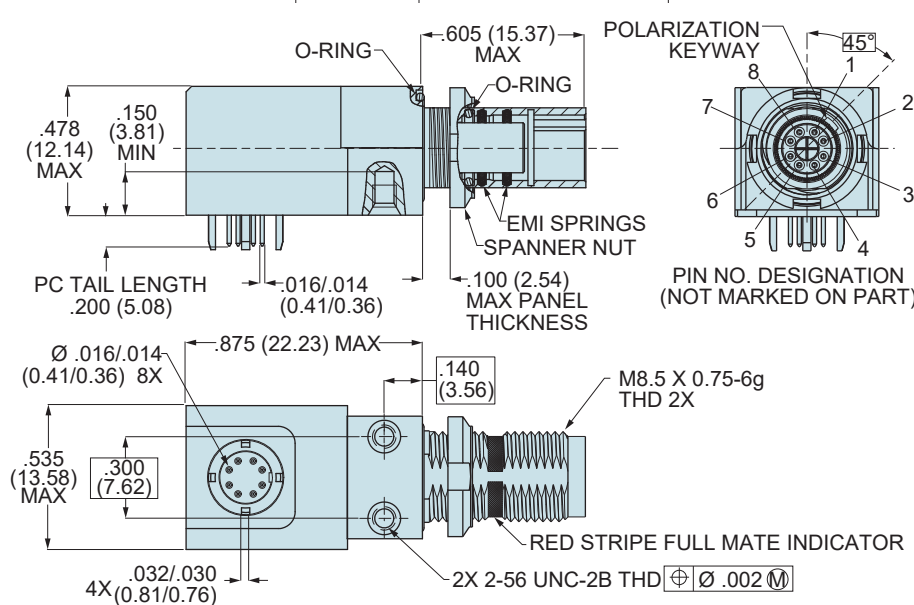


**Panel Cutout**



**How To Order 882-015 Push-Pull Receptacles**

Shell Matl/ Finish	Salt Spray Hours	PC Tail Option	
		Gold Plated	Solder Dipped 63/37 Sn/Pb
Aluminum/ Electroless Nickel	48	<b>882-015-MG-.200</b>	<b>882-015-MS-.200</b>
Aluminum/ Nickel-PTFE	500	<b>882-015-MTG-.200</b>	<b>882-015-MTS-.200</b>
Aluminum/ Black Zinc-Nickel	500	<b>882-015-ZRG-.200</b>	<b>882-015-ZRS-.200</b>
Aluminum/ Gold	48	<b>882-015-Z2G-.200</b>	<b>882-015-Z2S-.200</b>
SST/ Nickel-PTFE	500	<b>882-015-ZMTG-.200</b>	<b>882-015-ZMTS-.200</b>



**Specifications**

- Operating temp.: -65° to +125°C
- Impedance: 90 ohms
- DWV: 500 Vrms unmated
- Current Rating: 1.5 A
- IR: 1000 MΩ min.
- Durability: 500 mating cycles
- Ingress protection: IP67

**Construction**

- Shell, jam nut: aluminum alloy or SST
- Insulators and tray: high-grade rigid dielectric
- Contacts: copper alloy, 50 microinches gold over nickel plating
- O-rings: fluorosilicone
- EMI spring: stainless steel, gold plated
- Spline: polyimide
- Potting: epoxy

**Spanner Nut Tightening Tool**

Nickel-plated tool steel, 1/4" sq. drive  
 13 - 18 in.-lbs. recommended torque

