



# 882-031 PC Tail Panel Mount Plug, Push-Pull Coupling



**100 ohm. Ultraminiature. Rear panel mount. PCB terminals.**

882-031 SuperFly Datalink plugs have one El Ochito® octaxial contact housing eight pin contacts. Attach to .100 (2.54) maximum thickness panel with spanner nut. PC tail contacts are gold plated or solder dipped in 63/37 tin-lead. Contacts are epoxy-sealed and are non-removable. Gold-plated EMI spring for low shell-to-shell resistance. Fluorosilicone O-rings for water-tight seal. *Mates to 882-024, -027, -030, and -040 receptacles.*

**SIZE AND WEIGHT SAVING**

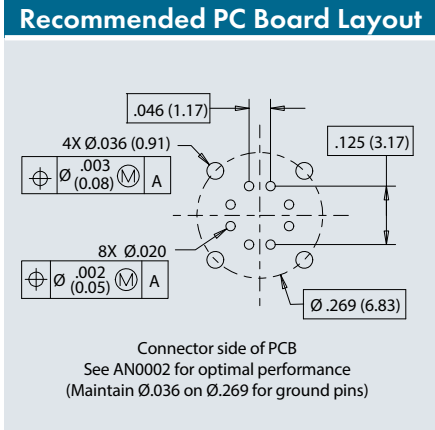
- .455 inch (mm.) diameter

**HIGH SPEED**

- 10 Gbps per pair
- Low-dielectric insulators

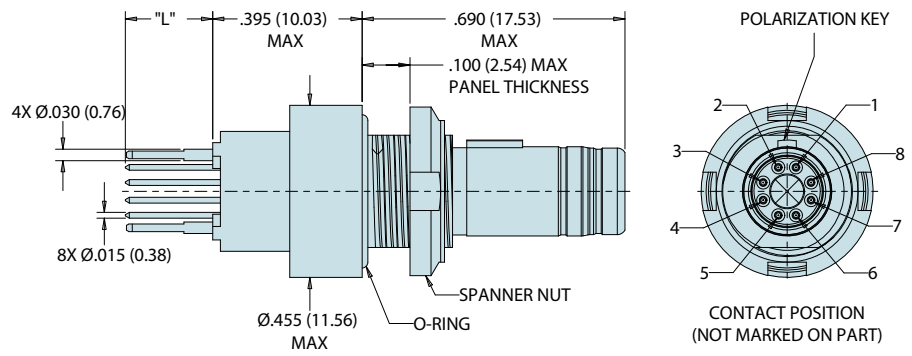
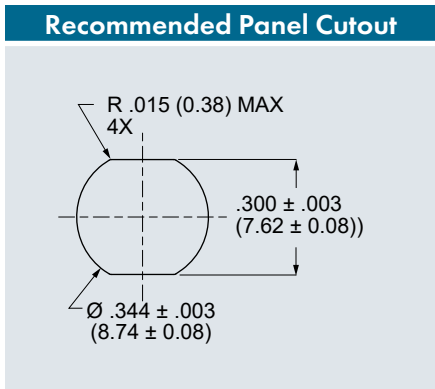
**HARSH ENVIRONMENT**

- EMI protection
- Water ingress
- Shock and vibration



**How To Order**

Sample Part Number	882-031	-ZR	S	-.080
<b>Product</b>	882-031 = Panel Mount PC Tail Plug			
<b>Shell Finish</b>	M = Electroless Nickel (aluminum shell) MT = Nickel-PTFE (aluminum shell) ZR = Black Zinc-Nickel (aluminum shell) ZZ = Gold (aluminum shell) ZMT = Nickel-PTFE (stainless steel shell)			
<b>PC Tail Finish</b>	S = Solder dip, 63/37 tin-lead G = Gold			
<b>PC Tail Length</b>	.080 = .080" (2.03 mm.) .175 = .175" (4.45 mm.)	.125 = .125" (3.18 mm.)	.200 = 200" (5.08 mm.)	



- Specifications**
- Operating temp.: -65° to +175°C
  - Impedance: 100 ohms
  - DWV: 500 Vrms unmatd
  - Current Rating: 1.5 A
  - IR: 1000 MΩ min.
  - Durability: 2000 mating cycles
  - Ingress protection: IP67

- Construction**
- Shell, jam-nut: aluminum alloy or SST
  - Insulators: low-dielectric material
  - Contacts: copper alloy, 50 microinches gold over nickel plating
  - O-ring: fluorosilicone
  - Potting: epoxy

**Spanner Nut Tightening Tool**

Nickel-plated tool steel, 1/4" sq. drive  
13 - 18 in.-lbs. recommended torque

**600-202-E**

El Ochito® Red