

## 882-037 Panel Mount Plug, Push-Pull QDC Coupling



**100 ohm. Ultraminiature. High performance.** 882-037 SuperFly Datalink connectors have one, El Ochito® octaxial contact housing eight pin contacts. Connectors are compatible with 100 ohm, size 28 - 24 AWG high-speed and SATA cable. Supplied as unassembled kit. Terminate wires to contacts with crimp tool (purchased separately). 882-036 plugs feature push-pull mating and demating. Fluorosilicone O-ring for water-tight seal. Braided cable shield terminates to connector with supplied bushing. **Mates to 882-024, 882-027, 882-030 and 882-040 connectors.**

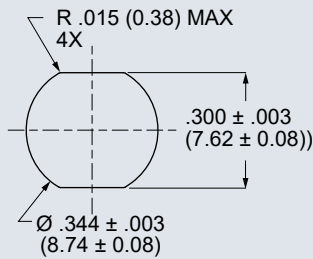
### SIZE AND WEIGHT SAVING

- Smallest 10 Gb per pair, 100 ohm aerospace-grade connector

### FAST MATING

- Push-to-mate, pull to de-mate
- 5 pounds breakaway force

### Recommended Panel Cutout



### How To Order Panel Mount Plug

<b>Sample Part Number</b>	<b>882-037</b>	<b>-M</b>	<b>-01</b>
<b>Series</b>	<b>882-037 = Panel Mount Plug</b>		
<b>Shell Material and Finish</b>	<b>M</b> = Aluminum / Electroless Nickel <b>MT</b> = Aluminum / Nickel-PTFE <b>ZR</b> = Aluminum / Black Zinc-Nickel <b>Z2</b> = Aluminum / Aluminum Gold <b>Z1</b> = Stainless Steel / Nickel-PTFE		
<b>Cable Dash No. (See Table I)</b>	<b>-01, and -02 (See AI88001-02), -03 (See AI88005-01)</b>		

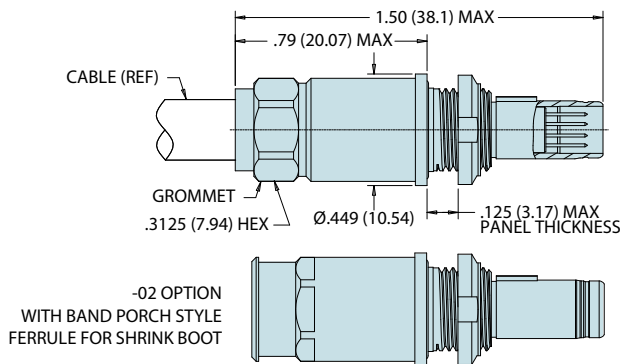
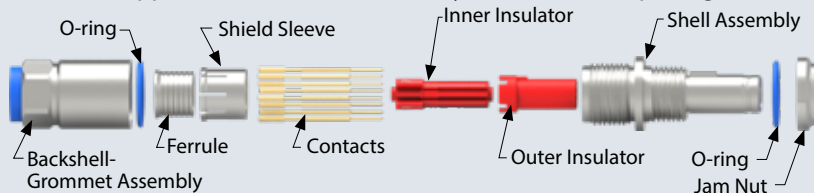
### Table I: Cable Accommodated

Dash No	Cable Part No.	Data Rate	Ref Cable O.D.
<b>-01</b>	963-033 -26	up to 1 Gbps	.220
<b>-02</b>	963-122 -X*	up to 10 Gbps	.277 or .299
<b>-03</b>	963-133	SATA 3	.220

\*See cable specifications at end of this section for details.

### 882-037 Components

Connector is supplied unassembled. Assembly instructions are packaged with kit.



### Specifications

- **Operating temp.:** -65° to +175°C
- **Impedance:** 100 ohms
- **DWV:** 500 Vrms unmated
- **Current Rating:** 1.5 A
- **IR:** 1000 MΩ min.
- **Durability:** 2000 mating cycles
- **Ingress protection:** IP67

### Construction

- **Shell, backshell:** aluminum alloy or stainless steel
- **Insulators:** low-dielectric material
- **Contacts:** copper alloy, 50 microinches gold over nickel plating
- **Grommet:** fluorosilicone
- **O-ring:** fluorosilicone
- **Shield sleeve, ferrule:** copper alloy, electroless nickel plated

### 963-122-X Dash No.

Dash <b>1</b>	Duralectric Light -65°C to +200°C, O.D. .299 (7.59)
Dash <b>2</b>	LSZH Polyurethane -40°C to +90°C, O.D. .299 (.759)
Dash <b>3</b>	FEP -65°C to +200°C, O.D. .277 (7.04)

### Contact Crimp Tools

Hand Crimp Tool  
**809-015**  
 (M22520/2-01)

Positioner for Hand  
 Crimp Tool  
**859-101**  
 (K1906)