

882-040 Panel Mount Receptacle, Push-Pull QDC Coupling



100 ohm. Ultraminiature. High performance. 882-040 SuperFly Datalink connectors have one, El Ochito® octaxial contact housing eight socket contacts. Compatible with 100 Ohm, size 28 - 24 AWG high-speed and SATA cable. Supplied as unassembled kit. Terminate wires to contacts with crimp tool (purchased separately). M8.5 metric mating thread. EMI spring for low shell-to-shell resistance. Fluorosilicone O-rings for water-tight seal. Braided cable shield terminates to connector with supplied bushing. **Mates to 882-023, -031, -034, and -037 connectors.**

How To Order			
Sample Part Number	882-040	-M	-01
Series	882-040 = Panel Mount Receptacle		
Shell Material and Finish	M = Aluminum / Electroless Nickel MT = Aluminum / Nickel-PTFE ZR = Aluminum / Black Zinc-Nickel Z2 = Aluminum / Aluminum Gold Z1 = Stainless Steel / Nickel-PTFE		
Cable Dash No. (See Table I)	-01, -02 (See A188001-02) or -03 (See A188005-01)		

Recommended Panel Cutout

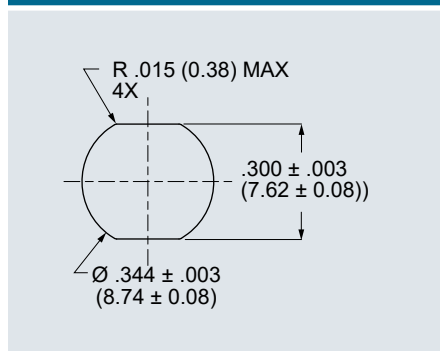


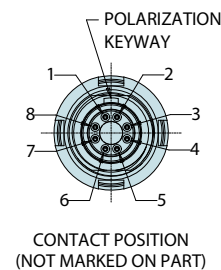
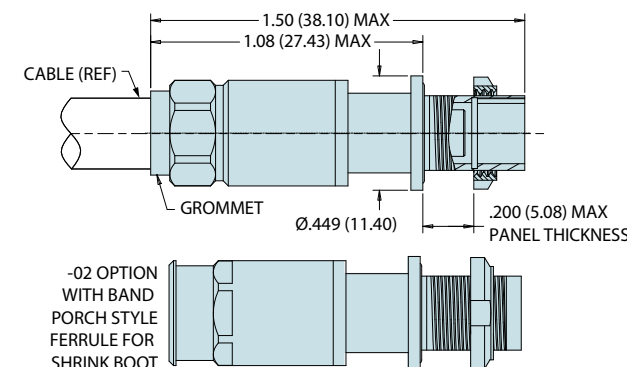
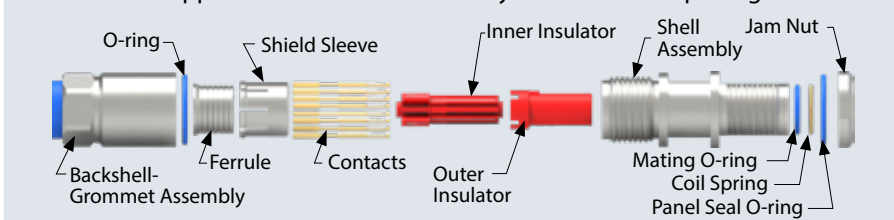
Table I: Cable Accommodated

Dash No	Cable Part No.	Data Rate	Ref Cable O.D.
-01	963-033 -26	up to 1 Gbps	.220
-02	963-122 -X*	up to 10 Gbps	.277 or .299
-03	963-133	SATA 3	.220

*See cable specifications at end of this section for details.

882-040 Components

Connector is supplied unassembled. Assembly instructions are packaged with kit.



El Ochito® Red

Specifications
■ Operating temp.: -65° to +175°C
■ Impedance: 100 ohms
■ DWV: 500 Vrms unmated
■ Current Rating: 1.5 A
■ IR: 1000 MΩ min.
■ Durability: 2000 mating cycles
■ Ingress protection: IP67

Construction
■ Shell, backshell: aluminum alloy or stainless steel
■ Insulators: low-dielectric material
■ Contacts: copper alloy, 50 microinches gold over nickel plating
■ Grommet: fluorosilicone
■ O-ring: fluorosilicone
■ Shield sleeve, ferrule: copper alloy, electroless nickel plated

963-122-X Dash No.	
Dash 1	Duralectric Light -65°C to +200°C, O.D. .299 (7.59)
Dash 2	LSZH Polyurethane -40°C to +90°C, O.D. .299 (7.59)
Dash 3	FEP -65°C to +200°C, O.D. .277 (7.04)

Contact Crimp Tools
Hand Crimp Tool 809-015 (M22520/2-01)
Positioner for Hand Crimp Tool 859-101 (K1906)