

## 882-025 Cable Plug, Threaded Coupling



**100 ohm. Ultraminiature. High performance.** 882-025 SuperFly Datalink Octaxial connectors have one El Ochito® octaxial contact, housing eight Pin contacts. Compatible with #24 to #28 AWG 100 ohm high-speed cable. Supplied as unassembled kit. Terminate wires to contacts with crimp tool. 882-025 plugs have a rotating coupling nut with M8.5 metric thread. Fluorosilicone O-rings for water-tight seal. Braided cable shield terminates to connector with supplied bushing. **Mates to 882-026, 882-028, 882-029, and 882-043 receptacles.**

**SIZE AND WEIGHT SAVING**

- Smallest high-speed aerospace-grade connector
- Integral strain relief and cable seal
- High density contacts

**HIGH SPEED**

- 10 Gbps per pair
- Low-dielectric material

**HARSH ENVIRONMENT**

- EMI protection
- Water ingress
- Shock and vibration
- Temperature extremes

How To Order Cable Plug			
<b>Sample Part Number</b>	<b>882-025</b>	<b>-M</b>	<b>-01</b>
<b>Series</b>	<b>882-025 = Cable Pug</b>		
<b>Shell Material and Finish</b>	<b>M</b> = Aluminum / Electroless Nickel <b>MT</b> = Aluminum / Nickel-PTFE <b>ZR</b> = Aluminum / Black Zinc-Nickel <b>Z2</b> = Aluminum / Aluminum Gold <b>Z1</b> = Stainless Steel / Nickel-PTFE		
<b>Cable Dash No. (See Table I)</b>	<b>-01, -02</b> (See AI88001-02) or <b>-03</b> (See AI88005-01)		

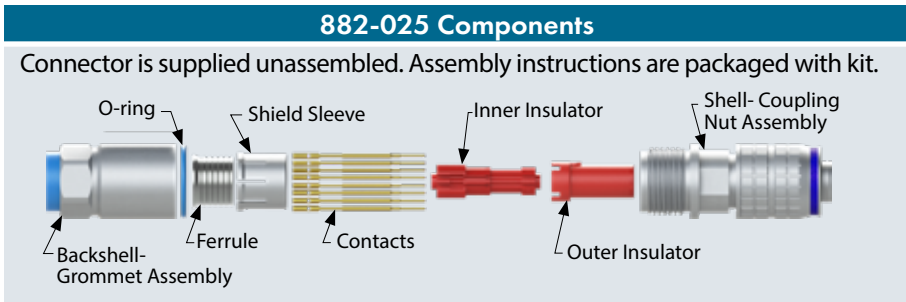
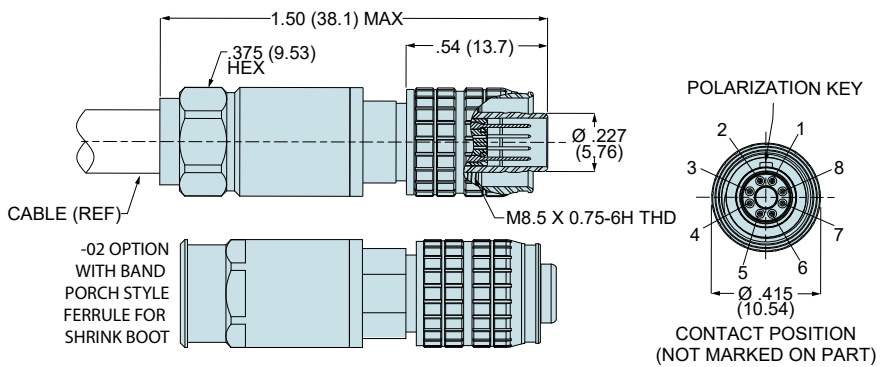


Table I: Cable Accommodated			
Dash No	Cable Part No.	Data Rate	Ref Cable O.D.
<b>-01</b>	963-033-26	up to 1 Gbps	.220
<b>-02</b>	963-122-X*	up to 10 Gbps	.277 or .299
<b>-03</b>	963-133	SATA 3	.225

\*See cable specifications at end of this section for details.



Specifications
■ <b>Operating temp.:</b> -65° to +175°C
■ <b>Impedance:</b> 100 ohms
■ <b>DWV:</b> 500 Vrms unmatd
■ <b>Current Rating:</b> 1.5 A
■ <b>IR:</b> 1000 MΩ min.
■ <b>Durability:</b> 2000 mating cycles
■ <b>Ingress protection:</b> IP67

Construction
■ <b>Shell, coupling nut, backshell:</b> aluminum alloy or stainless steel
■ <b>Insulators:</b> low-dielectric material
■ <b>Contacts:</b> copper alloy, 50 microinches gold over nickel plating
■ <b>Grommet:</b> fluorosilicone
■ <b>O-ring:</b> fluorosilicone
■ <b>Inner Shield sleeve, ferrule:</b> copper alloy, electroless nickel plated

963-122-X Dash No.	
Dash <b>1</b>	Duralectric Light -65°C to +200°C, O.D. .299 (7.59)
Dash <b>2</b>	LSZH Polyurethane -40°C to +90°C, O.D. .299 (.759)
Dash <b>3</b>	FEP -65°C to +200°C, O.D. .277 (7.04)

Contact Crimp Tools
Hand Crimp Tool <b>809-015</b> (M22520/2-01)
Positioner for Hand Crimp Tool <b>859-101</b> (K1906)