



882-043 Panel Mount Receptacle, Threaded Coupling



100 ohm. Ultraminiature. High performance. 882-043 SuperFly Datalink connectors have one El Ochito® octaxial contact, housing eight socket contacts. Compatible with #24-28 AWG, 100 ohm high-speed cable. Supplied as unassembled kit. Terminate wires to contacts with crimp tool. M8.5 metric mating thread. Gold-plated EMI spring for low shell-to-shell resistance. Fluorosilicone O-rings for water-tight seal. Braided cable shield terminates to connector with supplied bushing. **Mates with 882-025 plug only.**

How To Order Panel Mount Receptacle

Sample Part Number	882-043	-M	-01
Series	882-043 = Panel Mount Receptacle		
Shell Material and Finish	M = Aluminum / Electroless Nickel MT = Aluminum / Nickel-PTFE ZR = Aluminum / Black Zinc-Nickel Z2 = Aluminum / Aluminum Gold Z1 = Stainless Steel / Nickel-PTFE		
Cable Dash No. (See Table I)	-01, -02 (See AI88001-02) or -03 (See AI88005-01)		

Recommended Panel Cutout

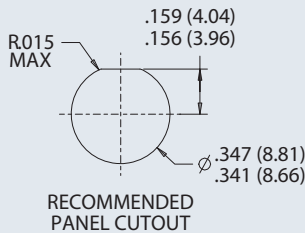


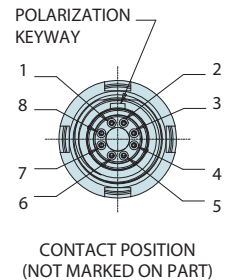
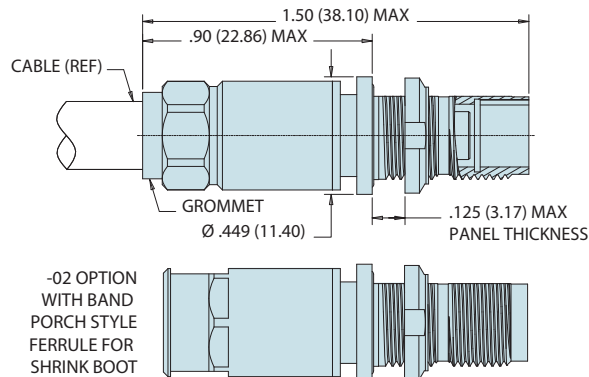
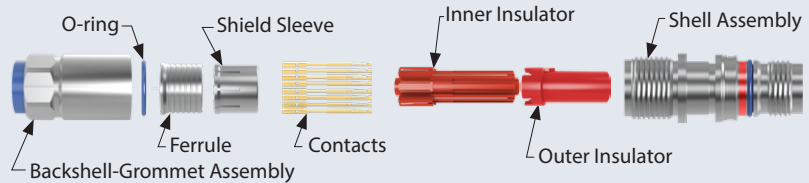
Table I: Cable Accommodated

Dash No	Cable Part No.	Data Rate	Ref Cable O.D.
-01	963-033 -26	up to 1 Gbps	.220
-02	963-122 -X*	up to 10 Gbps	.277 or .299
-03	963-133	SATA 3	.225

*See cable specifications at end of this section for details.

882-043 Components

Connector is supplied unassembled. Assembly instructions are packaged with kit.



Specifications

- **Operating temp.:** -65° to +175°C
- **Impedance:** 100 ohms
- **DWV:** 500 Vrms unmatd
- **Current Rating:** 1.5 A
- **IR:** 1000 MΩ min.
- **Durability:** 2000 mating cycles
- **Ingress protection:** IP67

Construction

- **Shell, backshell:** aluminum alloy or stainless steel
- **Insulators:** low-dielectric material
- **Contacts:** copper alloy, 50 microinches gold over nickel plating
- **Grommet:** fluorosilicone
- **O-rings:** fluorosilicone
- **EMI spring:** stainless steel, gold plated
- **Shield sleeve, ferrule:** copper alloy, electroless nickel plated

963-122 Cbl Dash No.

Dash 1	Duraelectric Light -65°C to +200°C, O.D. .299 (7.59)
Dash 2	LSZH Polyurethane -40°C to +90°C, O.D. .299 (.759)
Dash 3	FEP -65°C to +200°C, O.D. .277 (7.04)

Contact Crimp Tools

- **Hand Crimp Tool**
809-015
(M22520/2-01)
- **Positioner for Hand Crimp Tool**
859-101
(K1906)

El Ochito® Red