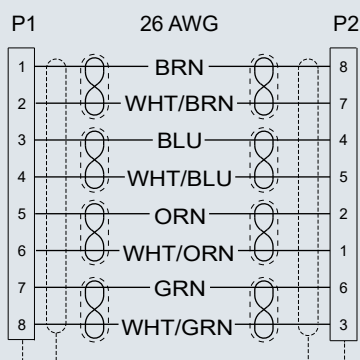


# 8571-0010 QDC Patch Cord, SuperFly to RJ45, 10GbE, Flight Grade



### Wiring Diagram



### Specifications

- Operating temp.: -40° to +85°C
- Impedance: 100 ohms
- DWV: 500 Vrms unmatd
- Current Rating: 1.5 A
- IR: 200 MΩ min.

### Cable Construction

- 4 pair, Cat 6A, 100 ohm, S/FTP, IAW SAE AS6070/6 P/N 963-033-26
- Conductors: 26 AWG, stranded, silver-plated
- Shield: Al/polyamide foil, silver plated braid
- Jacket: fluoropolymer, white

### SuperFly Datalink Construction

- Shell, backshell: aluminum alloy or SST
- Insulators: high-grade rigid dielectric
- Contacts: copper alloy, 50 microinches gold over nickel plating
- Grommet, O-ring : fluorosilicone
- Shield sleeve, ferrule, spline: copper alloy, electroless nickel plated

### RJ45 Construction

- Contact housing: polycarbonate, UL94V-0
- Contacts: copper alloy, 50 microinches gold in contact area
- Connector housing : nickel-plated zinc alloy

*Shielded. Cat 6A. Flight-grade cable. RJ45 modular plug. 100% tested.* Save assembly time and cost with pre-wired patch cords. One end is Series 882 SuperFly Datalink push-pull QDC connector. Other end is shielded RJ45 modular plug. Flight grade cable meets AS6070/6. Fluoropolymer cable jacket, 26 AWG conductors. Data pairs have individual foil shields, overall shield is silver-plated copper braid.

### SIZE AND WEIGHT SAVING

- <1/2 inch (12.7 mm.) diameter
- Push-pull quick-disconnect

### LOWER INSTALLED COST

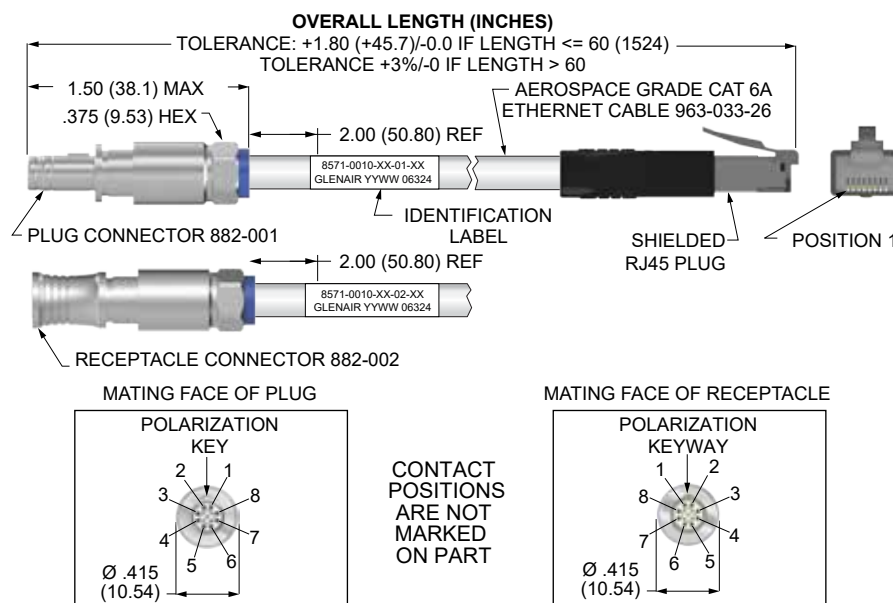
- Factory-terminated
- 100% tested

### FLIGHT GRADE CABLE

- AS6070 approved

### How To Order SuperFly Datalink to RJ45 Patch Cord

Sample Part Number	8571-0010	-MT	-02	-36
<b>Product</b>	8571-0010 = SuperFly Datalink Connector to RJ45 Patch Cord			
<b>Shell Finish</b>	<b>M</b> = Electroless Nickel (aluminum shell) <b>MT</b> = Nickel-PTFE (aluminum shell) <b>ZR</b> = Black Zinc-Nickel (aluminum shell) <b>Z2</b> = Gold (aluminum shell) <b>ZMT</b> = Nickel-PTFE (stainless steel shell)			
<b>SuperFly Datalink Connector Type</b>	<b>01</b> = Plug 882-001 <b>02</b> = Receptacle 882-002 Plug and receptacle use cable P/N 963-033-26			
<b>Overall Length</b>	Length in Inches (12 inch minimum)			



El Ochito® White