

882-002 Cable Receptacle, Push-Pull QDC Coupling, 40GbE



40GbE. Ultraminiature. High performance. 882-002 SuperFly Datalink connectors have one, El Ochito® octaxial contact housing eight socket contacts. Compatible with shielded flight-grade Cat 6A and 8 size #24 to #28 AWG Ethernet cable. Supplied as unassembled kit. Terminate wires to contacts with crimp tool (purchased separately). Connector interface features EMI spring for low shell-to-shell resistance. Fluorosilicone O-ring for watertight seal. Braided cable shield terminates to connector with supplied bushing. **Mates to 882-001, -017, -032, -035 plug.**

SIZE AND WEIGHT SAVING

- Smallest 40GbE aerospace-grade connector
- Integral strain relief and cable seal
- High density contacts

HARSH ENVIRONMENT

- EMI protection
- Shock and vibration
- Corrosion resistance

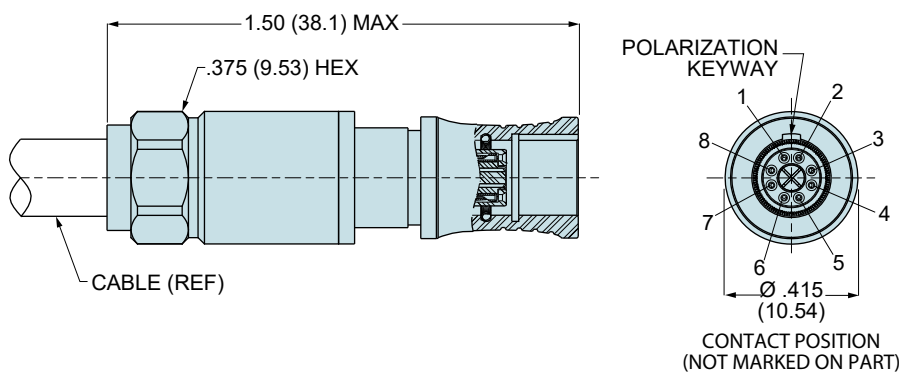
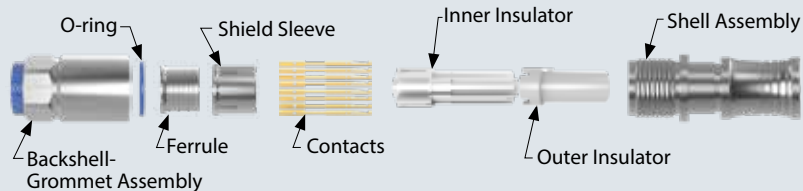
Table I: Cable Accommodated

Dash No.	Wire Size (AWG)	Cable Part No.	Cable Rating
-01	26	963-003-26	Cat 6A 10 GBase-T
-02	26	963-033-26	
-03	24	963-037-24	
-04	24	963-033-24	
-05	24	963-003-24	
-06	28	963-033-28	Cat 8 40 GBase-T
-07	26	963-132-26	
-08	24	963-132-24	
-09	26	963-135-26	

How To Order Cable Receptacle			
Sample Part Number	882-002	-M	-01
Series	882-002 = Cable Receptacle		
Shell Material and Finish	M = Aluminum / Electroless Nickel		
	MT = Aluminum / Nickel-PTFE		
	ZR = Aluminum / Black Zinc-Nickel		
	ZZ = Aluminum / Aluminum Gold		
	Z1 = Stainless Steel / Nickel-PTFE		
Cable Dash No. (See Table I)	-01 thru -09; Follow Assembly Instruction A880001-(dash no)		

882-002 Components

Connector is supplied unassembled. Assembly instructions are packaged with kit.



El Ochito® White

Specifications

- Operating temp.: -65° to +175°C
- Impedance: 100 ohms
- DWV: 500 Vrms unmated
- Current Rating: 1.5 A
- IR: 1000 MΩ min.
- Durability: 2000 mating cycles
- Ingress protection: IP67

Construction

- Shell, backshell: aluminum alloy or stainless steel
- Insulators: high-grade rigid dielectric
- Contacts: copper alloy, 50 microinches gold over nickel plating
- Grommet: fluorosilicone
- O-rings: fluorosilicone
- EMI spring: stainless steel, gold plated
- Shield sleeve, ferrule, spline: copper alloy, electroless nickel plated

Contact Crimp Tools

Hand Crimp Tool



809-015
(M22520/2-01)

Positioner for Hand Crimp Tool



859-101
(K1906)