

# 882-005 PC Tail Panel Receptacle, Push-Pull Coupling, 40GbE



## 40GbE. Ultraminiature. Rear panel jam-nut mount. PCB terminals.

882-005 SuperFly Datalink connectors have one, El Ochito® octaxial contact housing eight socket contacts. Attach to .100 (2.54) maximum thickness panel with spanner nut. PC tail contacts are gold plated or solder dipped in 63/37 tin-lead. Contacts are epoxy-sealed and are non-removable. EMI spring for low shell-to-shell resistance. Fluorosilicone O-ring for watertight seal. *Mates to 882-001, -017, -032, -035 plugs.*

### SIZE AND WEIGHT SAVING

- Smallest 40Gb Ethernet aerospace-grade connector

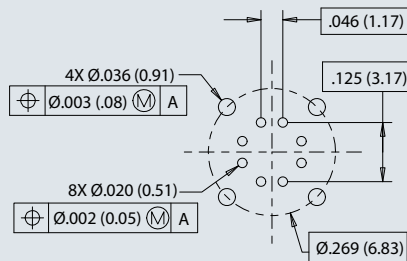
### FAST MATING

- Push-to-mate, pull to de-mate
- 5 pounds breakaway force

### HARSH ENVIRONMENT

- EMI protection
- Water ingress
- Shock and vibration

### Recommended PC Board Layout



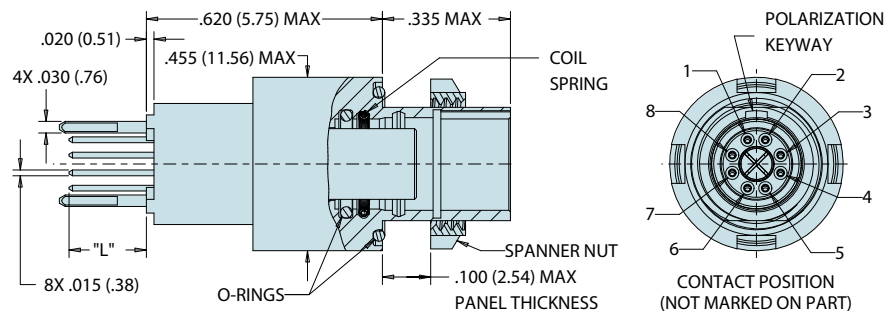
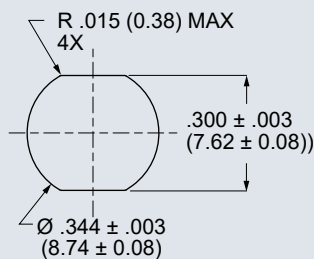
RECOMMENDED PCB LAYOUT  
 CONNECTOR SIDE

SEE AN0002 FOR OPTIMAL PERFORMANCE  
 (MAINTAIN Ø.036 ON Ø.269 FOR GROUND PINS)

### How To Order PC Tail Panel Receptacle

Sample Part Number	882-005	-M	G	-.125
<b>Product</b>	882-005 = Panel Mount PCB Receptacle			
<b>Shell Finish</b>	<b>M</b> = Electroless Nickel (aluminum shell) <b>MT</b> = Nickel-PTFE (aluminum shell) <b>ZR</b> = Black Zinc-Nickel (aluminum shell) <b>Z2</b> = Gold (aluminum shell) <b>ZMT</b> = Nickel-PTFE (stainless steel shell)			
<b>PC Tail Finish</b>	<b>S</b> = Solder dip, 63/37 tin-lead <b>G</b> = Gold			
<b>PC Tail Length</b>	<b>.080</b> = .080" (2.03 mm.) <b>.175</b> = .175" (4.45 mm.)	<b>.125</b> = .125" (3.18 mm.)	<b>.200</b> = .200" (5.08 mm.)	

### Recommended Panel Cutout



El Ochito® White

### Specifications

- **Operating temp.:** -65° to +175°C
- **Impedance:** 100 ohms
- **DWV:** 500 Vrms unmated
- **Current Rating:** 1.5 A
- **IR:** 1000 MΩ min.
- **Durability:** 2000 mating cycles
- **Ingress protection:** IP67

### Construction

- **Shell, jam-nut:** aluminum alloy or SST
- **Insulators:** high-grade rigid dielectric
- **Contacts:** copper alloy, 50 microinches gold over nickel plating
- **O-rings:** fluorosilicone
- **EMI spring:** stainless steel, gold plated
- **Spline:** copper alloy, electroless nickel plated
- **Potting:** epoxy

### Spanner Nut Tightening Tool

Nickel-plated tool steel, 1/4" sq. drive  
**13 - 18 in.-lbs. recommended torque**



600-202-E

