



# 882-032 90° PC Tail Panel Mount Plug, Push-Pull Coupling, 10GbE



**10GbE. Ultraminiature. Jam-nut, rear panel mount. PCB terminals.**

882-032 SuperFly Datalink connectors have one, El Ochito® octaxial contact housing eight pin contacts. Attach to .100 (2.54) max. thickness panel with spanner nut. PC tails are gold plated or solder dipped in 63/37 tin-lead. Epoxy-sealed, non-removable contacts. EMI spring and fluorosilicone O-ring for watertight seal *Mates to 882-002, -005, -008, -038.*

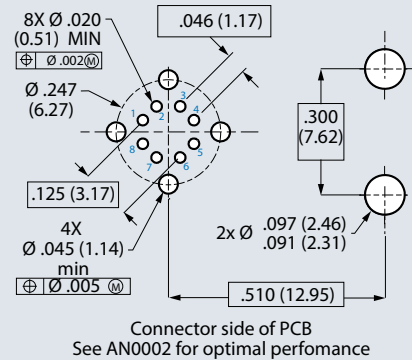
### SIZE AND WEIGHT SAVING

- Smallest 10Gb Ethernet aerospace-grade connector

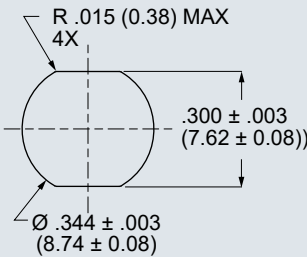
### HARSH ENVIRONMENT

- EMI protection
- Water ingress
- Shock and vibration

### Recommended PC Board Layout

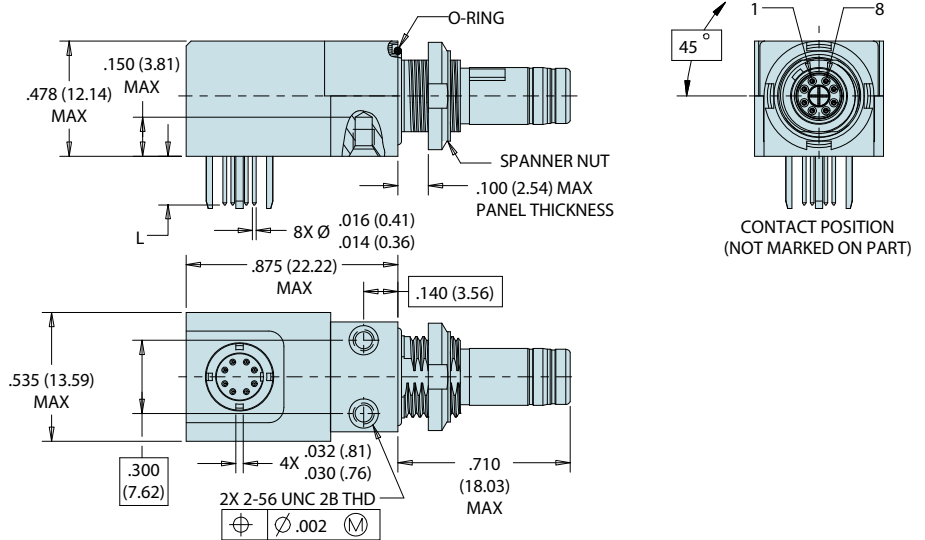


### Recommended Panel Cutout



### How To Order PC Tail Panel Mount Plug

Sample Part Number	882-032	-M	G	-200
<b>Product</b>	882-032 = Panel Mount PCB Plug			
<b>Shell Finish</b>	M = Electroless Nickel (aluminum shell) MT = Nickel-PTFE (aluminum shell) ZR = Black Zinc-Nickel (aluminum shell) Z2 = Gold (aluminum shell) ZMT = Nickel-PTFE (stainless steel shell)			
<b>PC Tail Finish</b>	S = Solder dip, 63/37 tin-lead G = Gold			
<b>PC Tail Length</b>	.200 = .200" (5.08 mm.)			



### Specifications

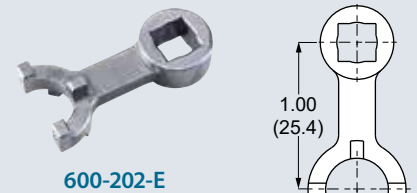
- Operating temp.: -65° to +175°C
- Impedance: 100 ohms
- DWV: 100 Vrms unmated
- Current Rating: 1.5 A
- IR: 100 MΩ min. @ 150 Vdc
- Durability: 2000 mating cycles
- Ingress protection: IP67

### Construction

- Shell, jam-nut: aluminum alloy or SST
- Insulators: high-grade rigid dielectric
- Contacts: copper alloy, 50 microinches gold over nickel plating
- O-rings: fluorosilicone
- Spline: copper alloy, electroless nickel plated
- Potting: epoxy

### Spanner Nut Tightening Tool

Nickel-plated tool steel, 1/4" sq. drive  
13 - 18 in.-lbs. recommended torque



600-202-E

El Ochito® White