



8571-0012 Threaded Coupling Cordset, Single-Ended, 10GbE



Lower installed cost. Save assembly time and cost with pre-wired SuperFly Datalink “White” assemblies for 10Gb Ethernet. These single-ended Octaxial threaded coupling assemblies are terminated to Category 6A aerospace-grade shielded cable. Cable options include unshielded or shielded data pairs, 24 AWG or 26 AWG stranded conductors. Series 882 connectors are designed for demanding aerospace environments.

SIZE AND WEIGHT SAVING

- Ultra small .415” (10.5 mm.) diameter coupling nut
- Integral backshell and cable seal

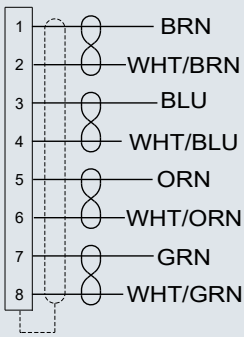
LOWER INSTALLED COST

- Factory-terminated SuperFly connector

HARSH ENVIRONMENT

- Aerospace grade Category 6A cable
- Shock, vibration, moisture

Wiring Diagram



Construction

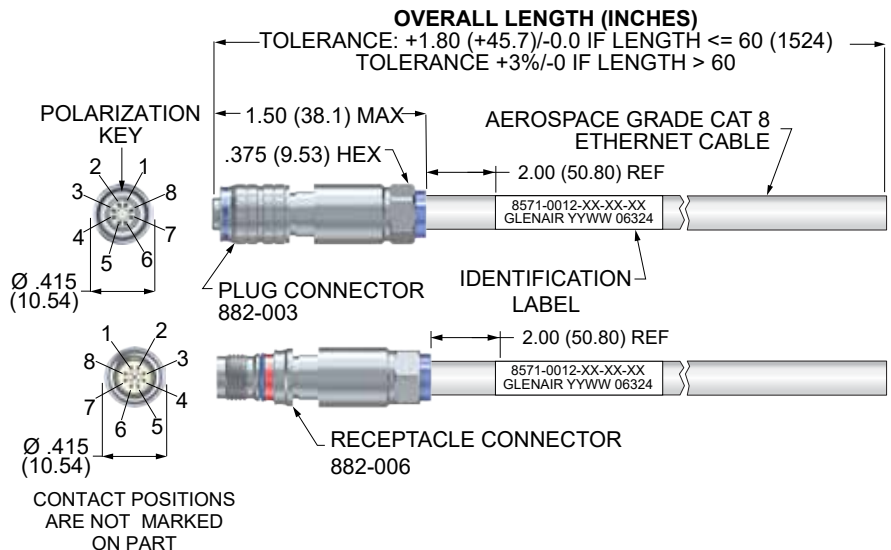
- **Shell, coupling nut, backshell:** aluminum alloy or stainless steel
- **Insulators:** high-grade rigid dielectric
- **Contacts:** copper alloy, 50 microinches gold over nickel plating
- **Grommets:** fluorosilicone
- **O-rings:** fluorosilicone
- **Shield sleeve, ferrule, spline:** copper alloy, electroless nickel plated
- **Cable:** aerospace-grade fluoropolymer per AS6070

Specifications

- **Operating temp.:** -65° to +175°C
- **Impedance:** 100 ohms
- **DWV:** 500 Vrms unmatd
- **Current Rating:** 1.5 A
- **IR:** 200 MΩ min.
- **Durability:** 2000 mating cycles

How To Order SuperFly Datalink Single-ended Cordset

Sample Part Number	8571-0012	-MT	-06	-60
Product	8571-0012 = Pre-wired SuperFly Datalink Assembly, Threaded, Single-Ended			
Shell Finish	M = Electroless Nickel (aluminum shell) MT = Nickel-PTFE (aluminum shell) ZR = Black Zinc-Nickel (aluminum shell) Z2 = Gold (aluminum shell) ZMT = Nickel-PTFE (stainless steel shell)			
Order Code Connector Type, Wire Size and Cable Type	01 = Plug, #26 AWG, S/UTP* P/N 963-003-26 02 = Receptacle, #26 AWG, S/UTP* P/N 963-003-26 03 = Plug, #26 AWG, S/FTP** P/N 963-033-26 04 = Receptacle, #26 AWG, S/FTP** P/N 963-033-26 05 = Plug, #24 AWG, S/UTP* P/N 963-037-24 06 = Receptacle, #24 AWG, S/UTP* P/N 963-037-24 07 = Plug, #24 AWG, S/FTP** P/N 963-033-24 08 = Receptacle, #24 AWG, S/FTP** P/N 963-033-24 *S/UTP cable has overall braid shield **S/FTP cable has overall braid shield plus foil wrap on pairs			
Overall Length	Length in Inches (12 inch minimum)			



El Ochito® White