

8571-0037 Threaded Coupling Cordset, Plug-to-Receptacle, 40GbE



Lower installed cost. 100% tested. 40GbE.
 Save assembly time and cost with pre-wired SuperFly Datalink "White" assemblies for 40G Ethernet. These back-to-back Octaxial cordsets are terminated to Cat 8 aerospace-grade shielded cable. 24 AWG or 26 AWG S/FTP (foil shielded pairs with overall braid) stranded conductors. Series 882 connectors are designed for demanding aerospace environments.

SIZE AND WEIGHT SAVING

- Ultra small .415" (10.5 mm.) diameter coupling nut
- Integral backshell and cable seal

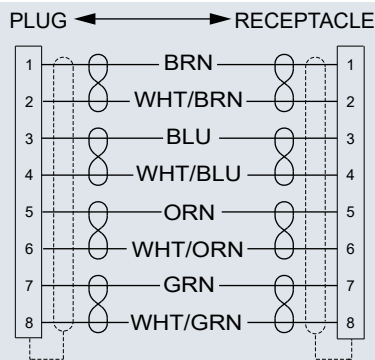
LOWER INSTALLED COST

- Factory-terminated
- 100% tested

HARSH ENVIRONMENT

- Aerospace grade Category 8 cable
- Shock, vibration, moisture

Wiring Diagram



How To Order SuperFly Datalink Plug-to-Receptacle Cordset

Sample Part Number	8571-0037	-MT	-03	-72
Product	8571-0037 = Pre-wired Superfly Datalink Cordset, Threaded Coupling, Plug to Receptacle			
Shell Finish	M = Electroless Nickel (aluminum shell) MT = Nickel-PTFE (aluminum shell) ZR = Black Zinc-Nickel (aluminum shell) Z2 = Gold (aluminum shell) ZMT = Nickel-PTFE (stainless steel shell)			
Cable Type	01 = Category 8, #26 AWG, S/FTP P/N 963-132-26 02 = Category 8, #24 AWG, S/FTP P/N 963-132-24 03 = Category 8, #26 AWG, S/FTP P/N 963-135-26			
Overall Length	Length in Inches (12 inch minimum)			

Construction

- **Shell, coupling nut, backshell:** aluminum alloy or stainless steel
- **Insulators:** high-grade rigid dielectric
- **Contacts:** copper alloy, 50 microinches gold over nickel plating
- **Grommets:** fluorosilicone
- **O-rings:** fluorosilicone
- **Shield sleeve, ferrule, spline:** copper alloy, electroless nickel plated
- **Cable:** aerospace-grade fluoropolymer per AS6070

Specifications

- **Operating temp.:** -65° to +175°C
- **Impedance:** 100 ohms
- **DWV:** 500 Vrms unmatd
- **Current Rating:** 1.5 A
- **IR:** 200 MΩ minimum
- **Durability:** 2000 mating cycles

El Ochito® White

