

882-003 Cable Plug, Threaded Coupling, 40GbE



40Gb Ethernet. Ultraminiature. High performance. 882-003 SuperFly Datalink connectors have one, El Ochito® octaxial contact housing eight pin contacts. Compatible with #24 to #28 AWG Category 6A and 8 Ethernet cable. Supplied as unassembled kit. Terminate wires to contacts with crimp tool. 882-003 plugs have a rotating coupling nut with M8.5 metric thread. Braided cable shield terminates to connector with supplied bushing. **Mates to 882-004, -006, -007 and -041.**

- SIZE AND WEIGHT SAVING**
- Smallest 40GbE aerospace-grade connector
 - Integral strain relief and cable seal
 - High density contacts
- HARSH ENVIRONMENT**
- EMI protection
 - Shock and vibration
 - Corrosion resistance

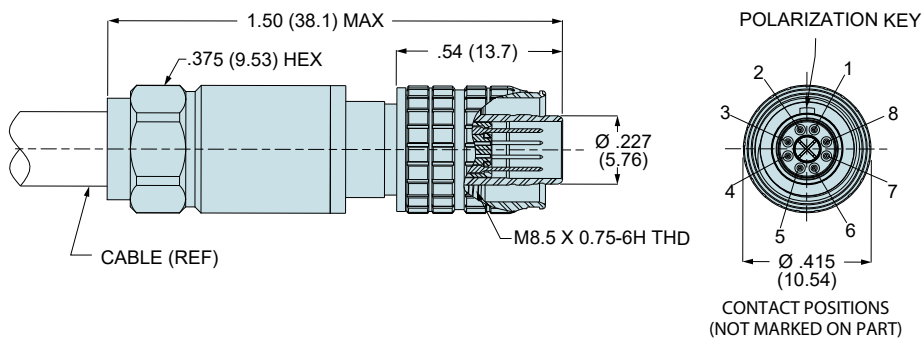
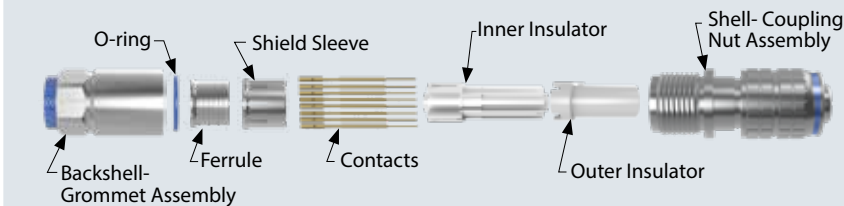
How To Order Cable Plug			
Sample Part Number	882-003	-M	-01
Series	882-003 = Cable Plug		
Shell Material and Finish	M = Aluminum / Electroless Nickel MT = Aluminum / Nickel-PTFE ZR = Aluminum / Black Zinc-Nickel ZZ = Aluminum / Aluminum Gold Z1 = Stainless Steel / Nickel-PTFE		
Cable Dash No. (See Table I)	-01 thru -09 ; Follow Assembly Instruction A880001-(dash no)		

Table I: Cable Accommodated

Dash No.	Cable Part No.	Wire Size (AWG)	Cable Type
-01	963-003-26	26	Cat 6A 10 GBase-T
-02	963-033-26	26	
-03	963-037-24	24	
-04	963-033-24	24	
-05	963-003-24	24	
-06	963-033-28	28	Cat 8 40 GBase-T
-07	963-132-26	26	
-08	963-132-24	24	
-09	963-135-26	26	

882-003 Components

Connector is supplied unassembled. Assembly instructions are packaged with kit.



Specifications
■ Operating temp.: -65° to +175°C
■ Impedance: 100 ohms
■ DWV: 500 Vrms unmated
■ Current Rating: 1.5 A
■ IR: 1000 MΩ min.
■ Durability: 2000 mating cycles
■ Ingress protection: IP67

Construction
■ Shell, coupling nut, backshell: aluminum alloy or stainless steel
■ Insulators: high-grade rigid dielectric
■ Contacts: copper alloy, 50 microinches gold over nickel plating
■ Grommet: fluorosilicone
■ O-ring: fluorosilicone
■ Shield sleeve, ferrule, spline: copper alloy, electroless nickel plated

Contact Crimp Tools	
Hand Crimp Tool	Positioner for Hand Crimp Tool
809-015 (M22520/2-01)	859-101 (K1906)

El Ochito® White