

882-004 PC Tail Panel Mnt Receptacle, Threaded Coupling, 40GbE



40GbE. Ultraminiature. Rear panel jam-nut mount. PCB terminals.

882-004 SuperFly Datalink connectors have one, El Ochito® octaxial contact housing eight socket contacts. Attach to .100" (2.54 mm) maximum thickness panel with spanner nut. PC tail contacts are gold plated or solder dipped in 63/37 tin-lead. Contacts are epoxy-sealed and are non-removable. Gold-plated EMI spring for low shell-to-shell resistance, fluorosilicone O-rings for water-tight seal. *Mates to 882-003 plug.*

SIZE AND WEIGHT SAVING

- Smallest 40Gb Ethernet aerospace-grade connector

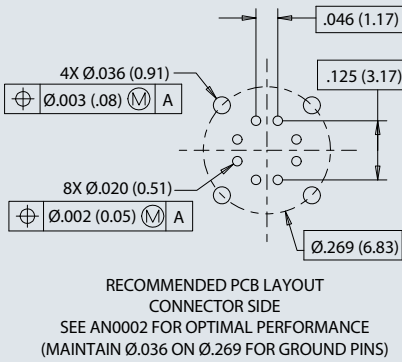
FAST ASSEMBLY

- Pre-tinned PC tail contacts
- Epoxy-sealed terminals

HARSH ENVIRONMENT

- EMI protection
- Water ingress
- Shock and vibration

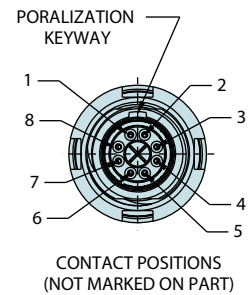
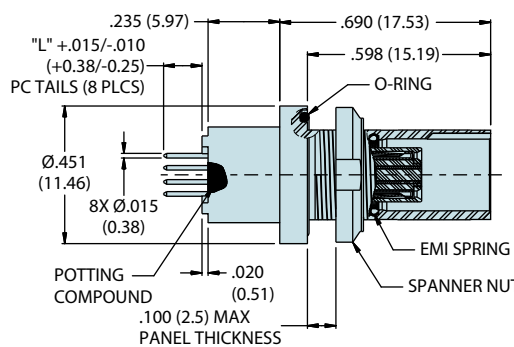
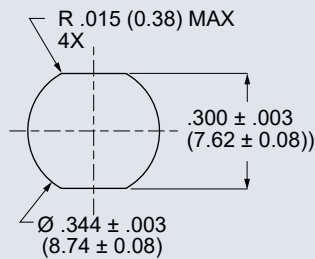
Recommended PC Board Layout



How To Order PC Tail Panel Mnt Receptacle

Sample Part Number	882-004	- M	G	-.125
Product	882-004 = Panel Mount PC Tail Receptacle			
Shell Finish	M = Electroless Nickel (aluminum shell) MT = Nickel-PTFE (aluminum shell) ZR = Black Zinc-Nickel (aluminum shell) Z2 = Gold (aluminum shell) ZMT = Nickel-PTFE (stainless steel shell)			
PC Tail Finish	S = Solder dip, 63/37 tin-lead G = Gold			
PC Tail Length	.080 = .080" (2.03 mm.) .175 = .175" (4.45 mm.)	.125 = .125" (3.18 mm.)	.200 = 200" (5.08 mm.)	

Recommended Panel Cutout



Specifications

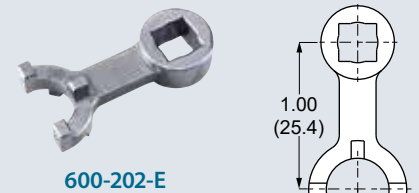
- **Operating temp.:** -65° to +175°C
- **Impedance:** 100 ohms
- **DWV:** 500 Vrms unmatd
- **Current Rating:** 1.5 A
- **IR:** 1000 MΩ min.
- **Durability:** 2000 mating cycles
- **Ingress protection:** IP67

Construction

- **Shell, jam-nut:** aluminum alloy or SST
- **Insulators:** high-grade rigid dielectric
- **Contacts:** copper alloy, 50 microinches gold over nickel plating
- **O-rings:** fluorosilicone
- **EMI spring:** stainless steel, gold plated
- **Spline:** copper alloy, electroless nickel plated
- **Potting:** epoxy

Spanner Nut Tightening Tool

Nickel-plated tool steel, ¼" sq. drive
 13 - 18 in.-lbs. recommended torque



El Ochito® White