

882-007 90° PC Tail, Panel Mnt Receptacle, Threaded Coupling, 10GbE



10GbE. Ultraminiature. Rear panel jam-nut mount. 90° PCB terminals.

882-007 SuperFly Datalink connectors have one, El Ochito® octaxial contact housing eight socket contacts. Attach to .100 (2.54) max thickness panel with spanner nut. PC tail contacts are gold plated or solder dipped in 63/37 tin-lead. Contacts are epoxy-sealed and are non-removable. Gold-plated EMI spring for low shell-to-shell resistance, fluorosilicone O-rings for water-tight seal. *Mates to 882-003 plug.*

SIZE AND WEIGHT SAVING

- Smallest 10Gb Ethernet aerospace-grade connector

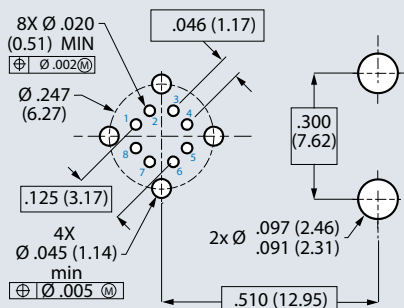
FAST ASSEMBLY

- Pre-tinned PC tail contacts
- Epoxy-sealed terminals

HARSH ENVIRONMENT

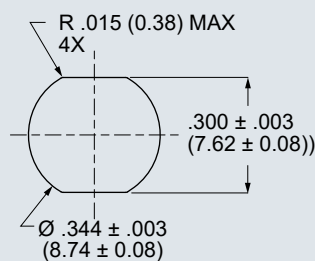
- EMI protection
- Water ingress
- Shock and vibration

PC Board Layout



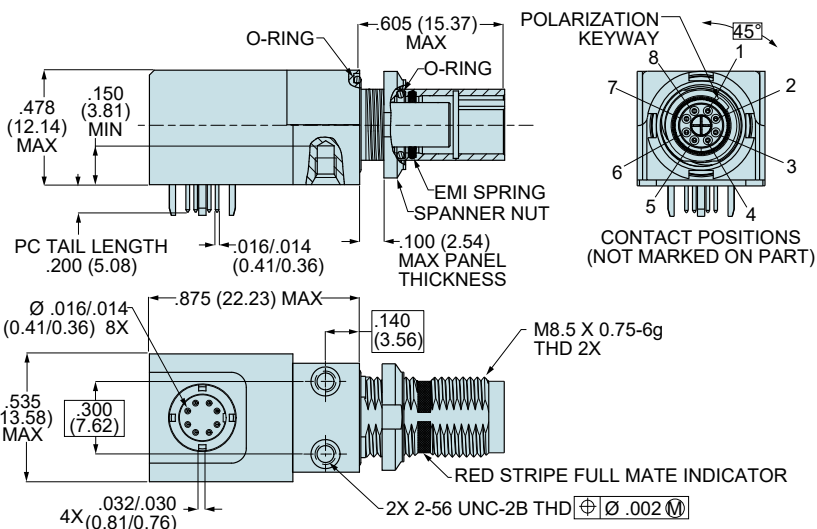
Connector side of PCB
 See AN0002 for optimal performance

Panel Cutout



How To Order PC Tail, Panel Mnt Receptacle

Sample Part Number	882-007	-M	G	-.200
Product	882-007 = Panel Mount PC Tail Receptacle			
Shell Finish	M = Electroless Nickel (aluminum shell) MT = Nickel-PTFE (aluminum shell) ZR = Black Zinc-Nickel (aluminum shell) Z2 = Gold (aluminum shell) ZMT = Nickel-PTFE (stainless steel shell)			
PC Tail Finish	S = Solder dip, 63/37 tin-lead G = Gold			
PC Tail Length	.200 = .200" (5.08 mm.)			



Specifications

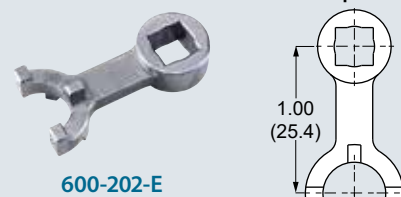
- Operating temp.: -65° to +175°C
- Impedance: 100 ohms
- DWV: 100 Vrms unmated
- Current Rating: 1.5 A
- IR: 100 M Ω min. @ 150 Vdc
- Durability: 2000 mating cycles
- Ingress protection: IP67

Construction

- Shell, jam-nut: aluminum alloy or SST
- Insulators and tray: high-grade rigid dielectric
- Contacts: copper alloy, 50 microinches gold over nickel plating
- O-rings: fluorosilicone
- EMI spring: stainless steel, gold plated
- Spline: copper alloy, nickel plated
- Potting: epoxy

Spanner Nut Tightening Tool

Nickel-plated tool steel, 1/4" sq. drive
 13 - 18 in.-lbs. recommended torque



El Ochito® White