

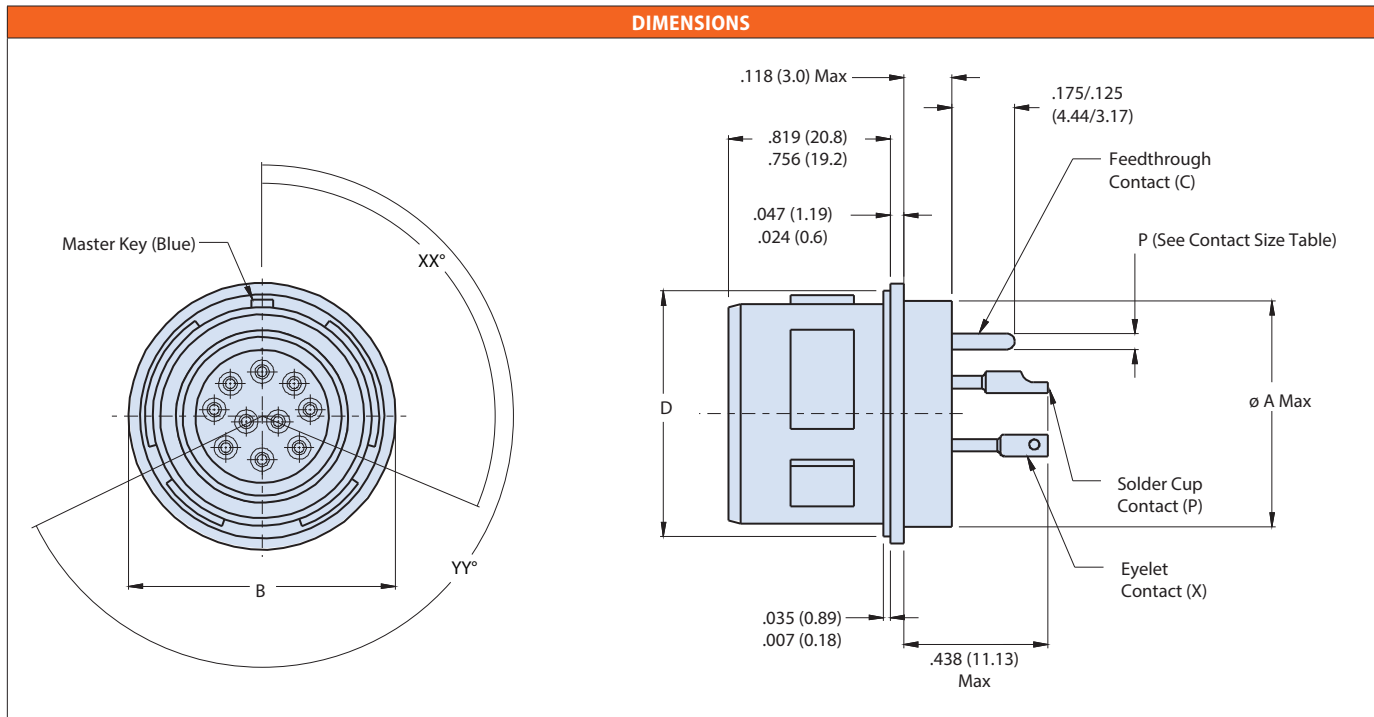
MIL-DTL-38999 Series IV Type, QPL Qualified
 38999/45 solder mount receptacle

HERMETIC CONNECTORS



HOW TO ORDER	
Sample Part Number	D38999/45 Y B 35 P N
D38999	38999/45 = Solder mount receptacle
Class	N = Hermetic, CRES, nickel finish, conductive, -65°C to 200°C Y = Hermetic, CRES, passivate finish, conductive, -65°C to 200°C H = Hermetic, CRES, passivate finish, conductive, -65°C to 200°C (space grade)
Shell Size	B, C, D, E, F, G, H, J
Insert Arrangement	Per MIL-STD-1560; See reference information section for details
Contact Style	P = Pin, solder cup X = Pin, eyelet C = Pin, PCB flex feedthrough S = Socket, solder cup Z = Socket, eyelet D = Socket, PCB flex feedthrough
Polarization	N (Normal), A, B, C, D, K, L, M, R ; see polarization positions table

*Additional material/finish options are available below.



Wire Accommodation	
Contact Size	Wire Gauge
22D	#22 - #28
20	#20 - #24
16	#16 - #20
12	#12 - #14

Polarization										
	N	A	B	C	D	K	L	M	R	
XX	110°	100°	90°	80°	70°	120°	120°	120°	120°	
YY	250°	260°	270°	280°	290°	255°	265°	275°	285°	