

Ochito “White”



1000BASE-T/10GBASE-T

El Ochito® “White” octaxial contacts provide 10 Gigabit Ethernet in the same size as 100BASE-T Quadrx contact

- -65°C to +175°C
- 100 ohms
- 24 and 26 AWG
- Type I and Type II

Ochito “Blue”



SuperSpeed USB

Low-dielectric material. Up to 5 Gbps. 90 ohms. El Ochito® “Blue” octaxial contacts provide an aerospace-grade solution for SuperSpeed USB.

- -65°C to +125°C
- 90 ohms
- Type I only

Ochito “Red”



HDMI, Displayport, SATA

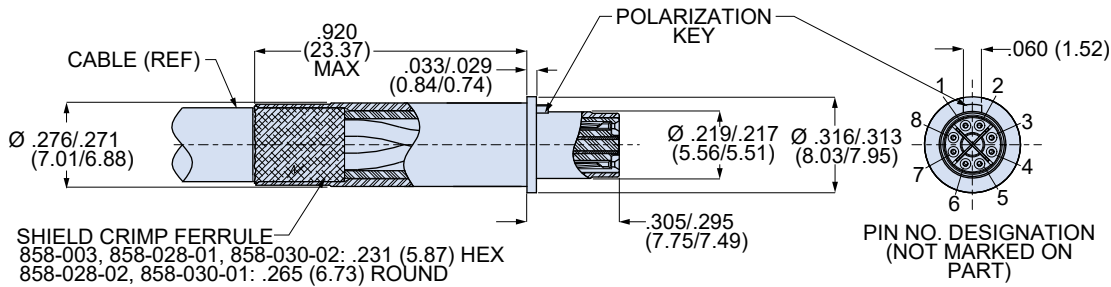
Low-dielectric material. Up to 5 Gbps. 100 ohms. El Ochito® “Red” octaxial contacts provide an aerospace-grade solution for multi-gigabit data rates.

- -65°C to +125°C
- 100 ohms
- 26 AWG
- Type I only

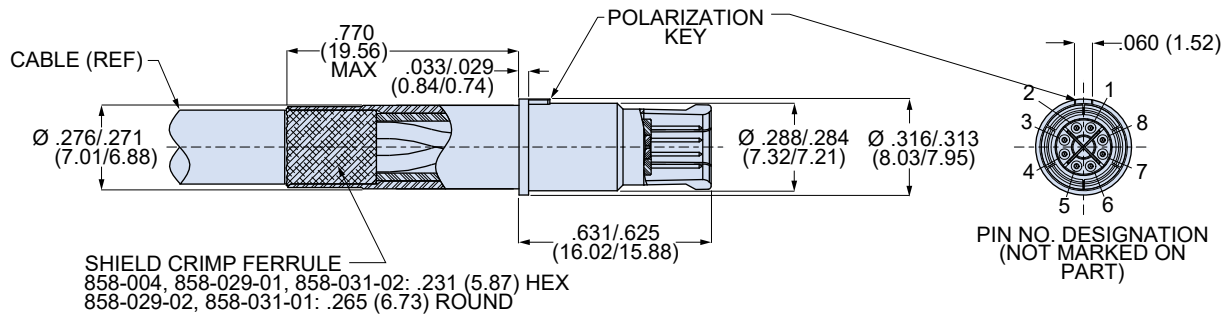
Specifications	
<p>Specifications</p> <ul style="list-style-type: none"> □ Operating temperature: El Ochito® White: -65° to +175°C El Ochito® Blue: -65° to +125°C El Ochito® Red: -65° to +125°C □ Impedance: El Ochito® White: 100 ohms El Ochito® Blue: 90 ohms El Ochito® Red: 100 ohms □ DWV: 500 Vrms □ Current Rating: 1.5 A □ IR: 5000 megohms min. □ Durability: 500 mating cycles □ Vibration: MIL-DTL-38999 Series III □ Shock: MIL-DTL-38999 Series III 	
<p>Construction</p> <ul style="list-style-type: none"> □ Inner contacts, outer contact, ferrules, retaining nut: copper alloy, 50 microinches gold over nickel plating □ Insulators: El Ochito® White: PPS, natural color El Ochito® Blue: low-dielectric constant thermoplastic, blue El Ochito® Red: low-dielectric constant thermoplastic, red □ O-ring: fluorosilicone □ Heatshrink tubing: PVDF □ Contact release sleeve: stainless steel, passivated □ Sealing boot grommet: fluorosilicone □ Sealing boot body: rigid thermoplastic, PEI or equivalent □ Spline, El Ochito® White: copper alloy, nickel plating □ Spline, El Ochito® Red and Blue: Polyimide 	

Contact and Cable Options							
Wire Size	Cable Type	Cable		Type 1 Ochito		Type 2 Ochito	
		Glenair Part No. (Mfgr. P/N)	Cable Dia.	Pin Contact Assembly Instr.	Skt Contact Assembly Instr.	Pin Contact Assembly Instr.	Skt Contact Assembly Instr.
1000BASE-T, 10GBASE-T; el Ochito “White”							
24	S/UTP	963-037-24 (PIC E6A3824)	.260 (6.60)	--	--	858-005-03 AI85097-03	858-006-03 AI85097-03
	S/FTP	963-033-24 (Gore RCN9047-24)	.260 (6.60)	--	--	858-005-04 AI85097-04	858-006-04 AI85097-04
26	S/UTP	963-003-26 (PIC E6A3826)	.220 (5.56)	858-003-01F AI85048-01	858-004-01F AI85048-01	858-005-01 AI85097-01	858-006-01 AI85097-01
	S/FTP	963-033-26 (Gore RCN9047-26)	.220 (5.56)	858-003-02F AI85048-02	858-004-02F AI85048-02	858-005-02 AI85097-01	858-006-02 AI85097-01
SuperSpeed USB; el Ochito “Blue”							
26	USB 3.0	963-118	.217 (5.51)	858-028-01F AI85114-02	858-029-01F AI85114-02	858-069-01 AI85158-01	858-070-01 AI85158-01
	USB 3.0	963-110	.236 (5.99)	858-028-02F AI85090-01	858-029-02F AI85090-01	858-069-02 AI85158-02	858-070-02 AI85158-02
HDMI, Displayport and SATA; el Ochito “Red”							
26	Cat 6a S/FTP	963-033-26 (Gore RCN9047-26)	.220 (5.56)	858-030-02F AI85048-02	858-031-02F AI85048-02	858-063-01 AI85149-02	858-064-01 AI85149-02
24	Cat 6a S/FTP	963-033-24	.217 (5.51)	--	--	858-063-02 AI85149-04	858-064-02 AI85149-04

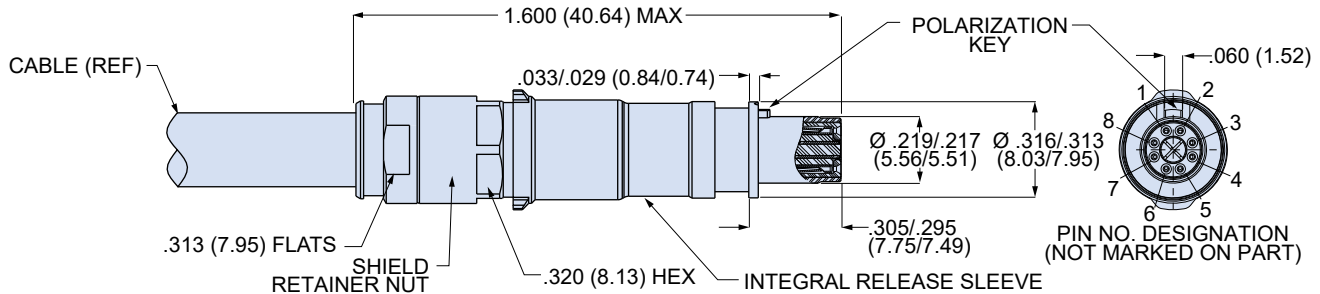
El Ochito® Type I Pin Contact 858-003, 858-028, and 858-030



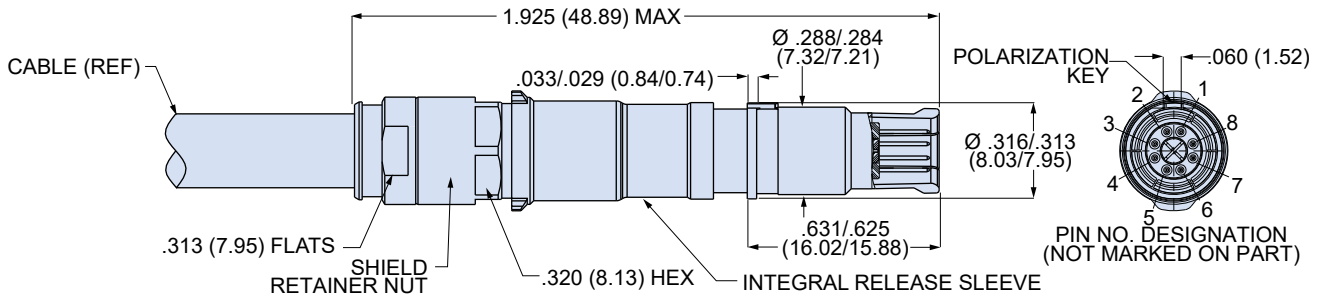
El Ochito® Type I Socket Contact 858-004, 858-029, and 858-031



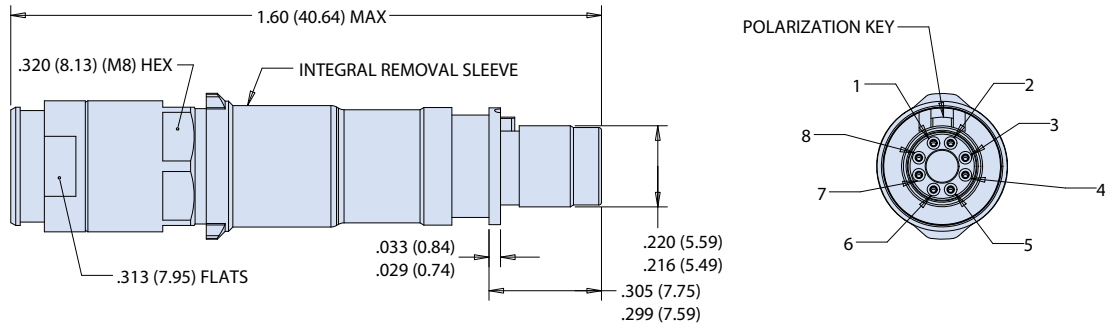
El Ochito® White Type II Pin Contact 858-005



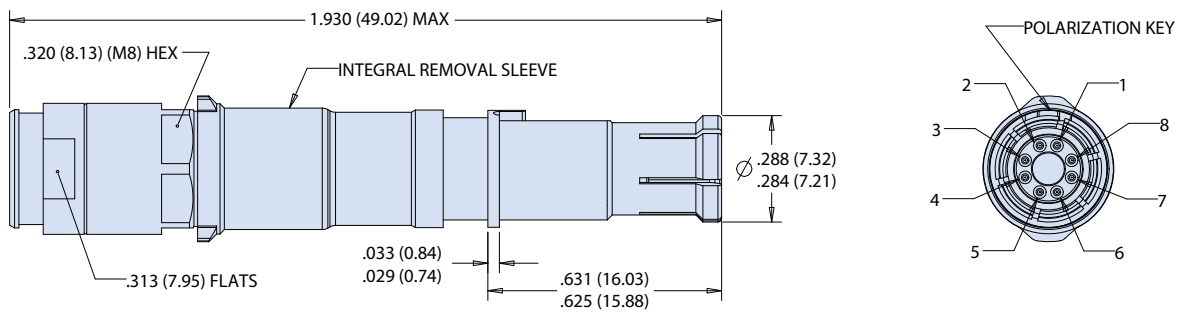
El Ochito® White Type II Socket Contact 858-006



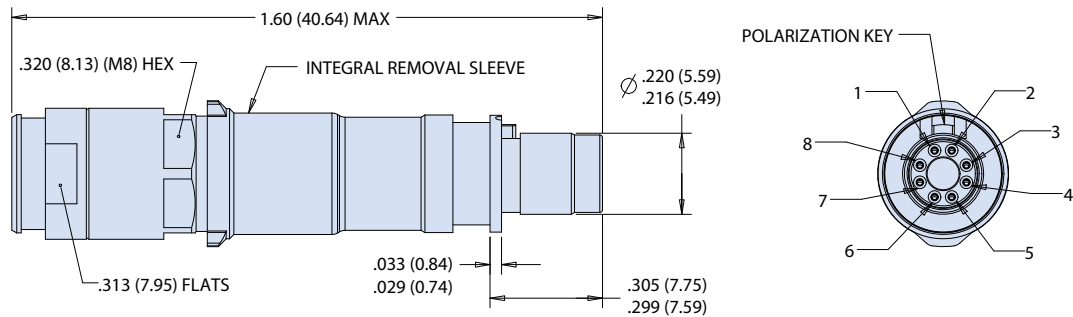
EI Ochito® Blue Type II Pin Contact 858-069



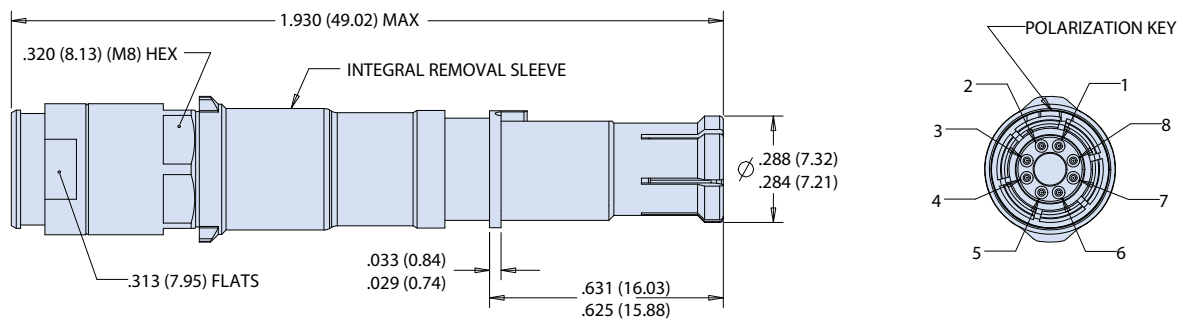
EI Ochito® Blue Type II Pin Contact 858-070



EI Ochito® Red Type II Pin Contact 858-063



EI Ochito® Red Type II Socket Contact 858-064



MIL-DTL-38999 Series III Type Environmental Connectors

El Ochito® octaxial contact and cable assembly tools and accessories

CONTACTS AND TOOLS

Assembly Tools									
Contact PN	Inner Contact Crimp		Cable Shield Hex Crimp		Cable Shield Round Crimp			Key Alignment Tool	Rear Ferrule Insertion Tool
	Tool	Positioner	Tool	Hex Die	Tool	Positioner 1	Positioner 2		
858-003	809-015	859-101	809-129	859-007				600-236	600-242
858-004	809-015	859-101	809-129	859-007				600-235	600-242
858-005	809-015	859-101						600-236	
858-006	809-015	859-101						600-235	
858-028-01	809-015	859-101	809-129	859-007				600-236	600-242
858-028-02	809-015	859-101			859-134	859-184-2	859-184-3	600-236	600-242
858-029-01	809-015	859-101	809-129	859-007				600-235	600-242
858-029-02	809-015	859-101			859-134	859-184-1	859-184-2	600-235	600-242
858-030-02	809-015	859-101	809-129	859-007				600-236	600-242
858-031-02	809-015	859-101	809-129	859-007				600-235	600-242

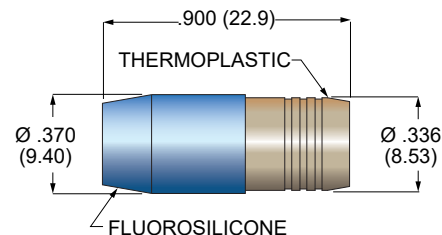
Inner Contact Crimp Tools		Cable Shield Crimp Tools				Removal Tool
		Hex Crimp		Round Crimp		
809-015 (M22520/2-01)	859-101 (K1906)	809-129 (M22520/5-01)	859-007 (M22520/5-45)	859-134 (GS206)	859-184 (M22520/31-02)	859-049 (M81969/14-12)

Key Alignment Tools		Rear Ferrule Insertion Tool
600-235 600-243 Socket contact	600-236 600-244 Pin contact	600-242

Contact factory for available alignment inspection tools for use with existing assemblies.

Sealing Boot

An "F" suffix in the contact part number indicates the contact is supplied with a sealing boot. To order these contacts without sealing boots, delete the "F" suffix from the part number. Sealing boots are not supplied with 858-005, 858-006, 858-009, 858-010, 858-035, 858-037, 858-038 and 858-039 contacts.



SEALING BOOT FOR OCHITO CONTACTS

- 687-754-8-8**
FOR .220 (5.56) DIAMETER CABLES
- 687-754-8-9**
FOR .236 (6.0) DIAMETER CABLES