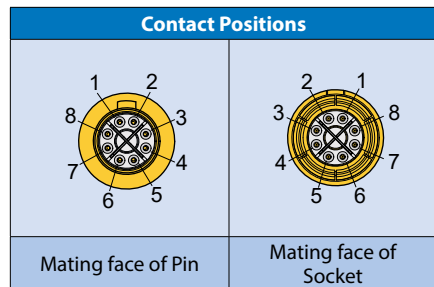


## MIL-DTL-38999 Series III Type Environmental Connectors

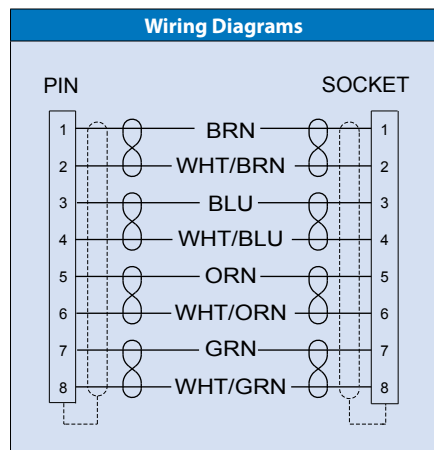
### 8571-0002 Pre-wired CAT 6A El Ochito® contacts, pin-to-socket



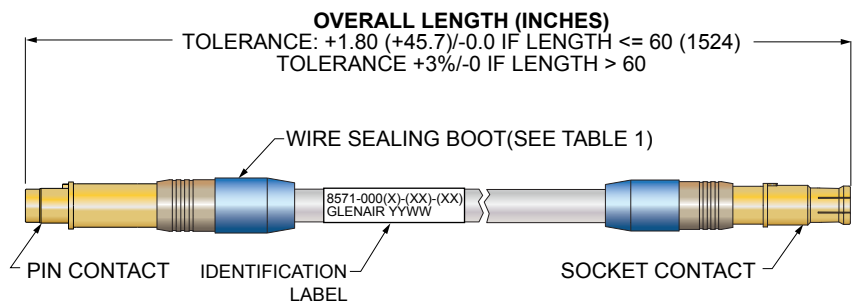
El Ochito "White" for 10GBASE-T Ethernet Pin contact mating face



Technical Data	
<ul style="list-style-type: none"> <li>Refer to individual contact and cable data sheets for construction details</li> <li>100% tested for shorts, continuity and IR</li> </ul>	
<ul style="list-style-type: none"> <li><b>Operating temp.:</b> -65 to +175°C</li> <li><b>Impedance:</b> 100 ohms</li> <li><b>DWV:</b> 500 Vrms</li> <li><b>Current Rating:</b> 1.5 A</li> <li><b>IR:</b> 200 megohms min.</li> <li><b>Durability:</b> 500 mating cycles</li> </ul>	



**Lower installed cost. 100% tested.** Save assembly time and cost with pre-wired El Ochito® "White" assemblies. These pin-to-socket cables have El Ochito "White" contacts terminated to Category 6A aerospace-grade shielded cable. Supplied with cable sealing boot if applicable. These pre-wired El Ochito contacts snap into connector body without requiring an insertion tool. Remove contacts with plastic tool 859-049. Compatible with Glenair Series 23 connectors. Designed to meet the requirements of MIL-DTL-38999, SAE AS39029. *El Ochito contacts should be installed in keyed connectors before mating to prevent misalignment and contact damage.*



Part Number Development			
Sample Part Number	8571-0002	-01	-36
Series / Basic Part No.	8571-0002 = Pre-wired El Ochito® contacts, pin-to-socket		
Order Code	See Table 1		
Length	Length in inches (12 inch minimum)		

Table 1: Order Code						
Connector Type	Order Code	Pin Contact Part No.	Skt Contact Part No.	Sealing Boot	Cable Type	Cable Part Number
Series 23	01	858-003-01F	858-004-01F	Yes	S/UTP CAT6A #26 .220	963-003-26
	02	858-005-01	858-006-01	No	S/UTP CAT6A #26 .220	963-003-26
	03	858-005-02	858-006-02	No	S/FTP CAT6A #26 .220	963-033-26
	04	858-005-04	858-006-04	No	S/FTP CAT6A #24 .260	963-033-24
	05	858-003-02F	858-004-02F	Yes	S/FTP CAT6A #26 .220	963-033-26

HIGH-SPEED CONNECTORS