

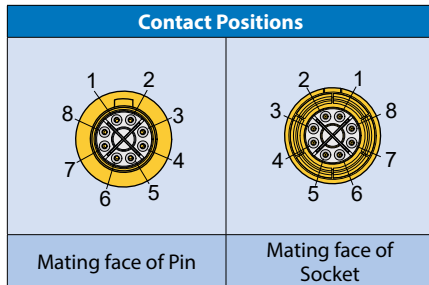
MIL-DTL-38999 Series III Type Environmental Connectors

8571-0003 and -0004 cable assembly, El Ochito®-to-RJ45

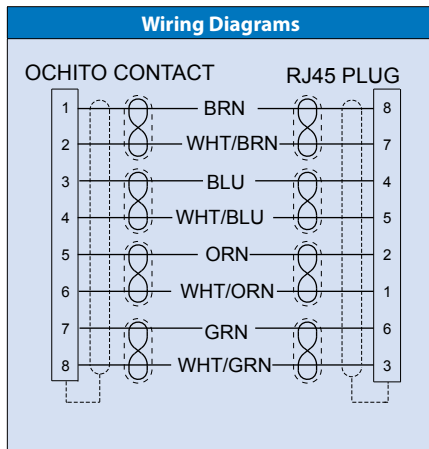


El Ochito "White" for 10GBASE-T Ethernet Pin contact mating face

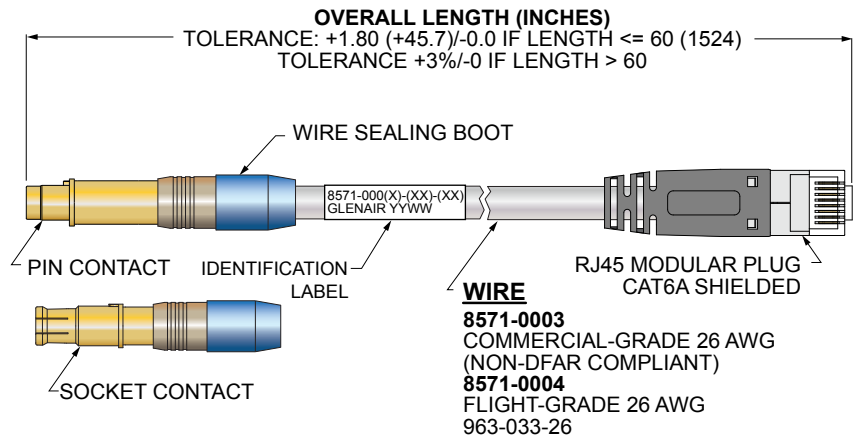
HIGH-SPEED CONNECTORS



Technical Data
<ul style="list-style-type: none"> Refer to individual contact and cable data sheets for construction details 100% tested for shorts, continuity and IR
<ul style="list-style-type: none"> Operating temp.: -40° to +70°C Wire Size: 26 AWG Impedance: 100 ohms DWV: 500 Vrms Current Rating: 1.5 A IR: 200 megohms min. Durability: 500 mating cycles



*El Ochito-to-RJ45. Two cable options: commercial grade (8571-0003) or flight-grade (8571-0004) Cat6A. Save assembly time and cost with pre-wired El Ochito® "White" assemblies. Cost-effective commercial grade assemblies are perfect for LAN testers and de-bugging. High performance engineered fluoropolymer aerospace grade assemblies have foil shields on each wire pair. Compatible with Glenair Series 23 connectors. Operating temperature -40 to +70°C. **Ochito contacts should be installed in keyed connectors before mating to prevent misalignment and contact damage.***



El Ochito®-to-RJ45 Cable Assemblies, Commercial-grade Wire			
Sample Part Number	8571-0003	-01	-24
Series / Basic Part No.	8571-0003 = Cable Assy, El Ochito to RJ45 Plug, Commercial Grade Wire		
ElOchito Contact Part Number	01 = 858-003-01F Pin 02 = 858-004-01F Socket		
Length	Length in inches (12 inch minimum)		

El Ochito®-to-RJ45 Cable Assemblies, Flight-grade Wire			
Sample Part Number	8571-0004	-01	-24
Series / Basic Part No.	8571-0004 = Cable Assy, El Ochito to RJ45 Plug, Aerospace Grade Wire		
El Ochito Contact Part Number	01 = 858-003-02F Pin 02 = 858-004-02F Socket		
Length	Length in inches (12 inch minimum)		