

## MIL-DTL-38999 Series III Type Environmental Connectors

### 8572-0003 El Ochito® cable assemblies with USB 3 connectors

**USB 3.0 Connectors. Commercial grade. 100% tested.** Save assembly time and cost with pre-wired El Ochito® “Blue” SuperSpeed USB assemblies. These assemblies have El Ochito “Blue” contacts wired to USB 3.0 connectors. Supplied with cable sealing boot. Compatible with Glenair Series 23 connectors. *El Ochito contacts should be installed in keyed connectors before mating to prevent misalignment and contact damage.*

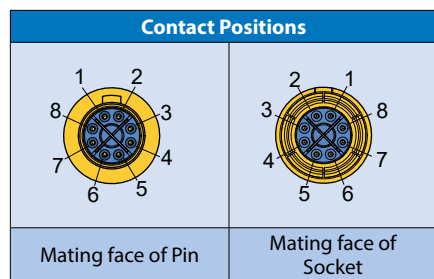
HIGH-SPEED CONNECTORS

Part Number Development			
Sample Part Number	8572-0003	-01	-36
Series / Basic Part No.	8572-0003 = Pre-wired Ochito contacts, with USB 3 connectors		
Order Code	See Table I		
Length	Length in inches (12 inch minimum)		

Table I: Order Code				
Connector Type	Order Code	Contact Part No.	Pin/Skt	USB 3.0 Connector
Series 23	01	858-028-01F	Pin	A Plug
	02	858-029-01F	Socket	A Recep
	03	858-029-01F	Socket	B Plug
	04	858-029-01F	Socket	Micro-B Plug

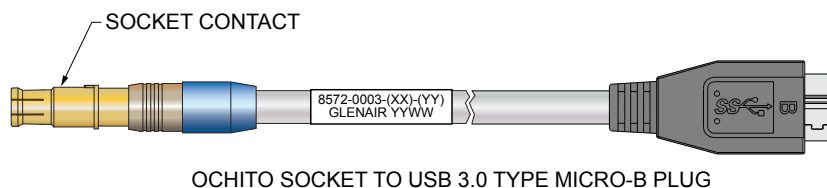
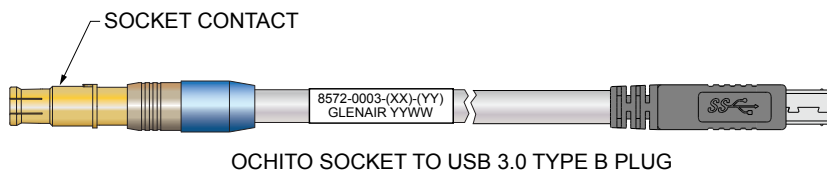
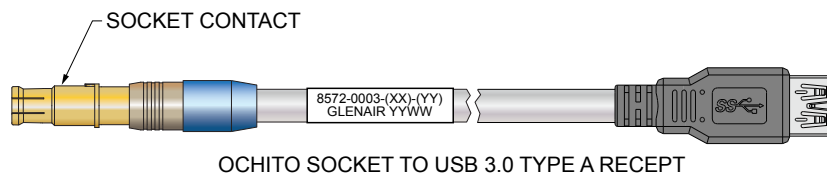
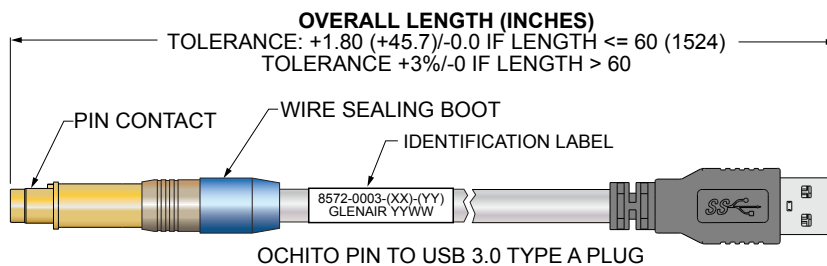


Ochito “Blue” for SuperSpeed USB  
Pin contact mating face



Technical Data
<ul style="list-style-type: none"> <li>❑ <b>Operating temp.:</b> 0° to +80°C</li> <li>❑ <b>Impedance:</b> 90 ohms</li> <li>❑ <b>DWV:</b> 100 Vrms</li> <li>❑ <b>Current Rating:</b> 1.5 A</li> <li>❑ <b>IR:</b> 100 megohms min.</li> <li>❑ <b>Durability:</b> 500 mating cycles</li> </ul>

Construction
<ul style="list-style-type: none"> <li>❑ Refer to individual contact data sheets for additional details</li> <li>❑ 100% tested for shorts, continuity and IR</li> <li>❑ <b>Cable:</b> commercial-grade, PVC jacket, non-DFAR compliant</li> </ul>

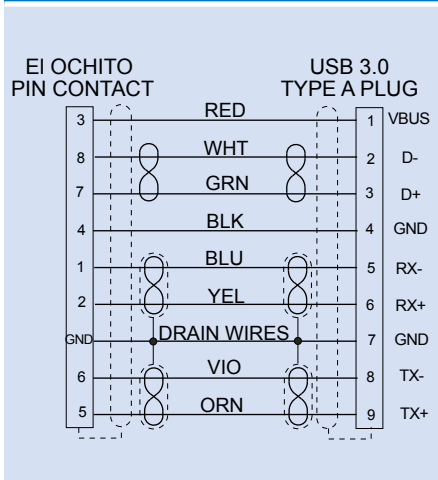


**MIL-DTL-38999 Series III Type Environmental Connectors**

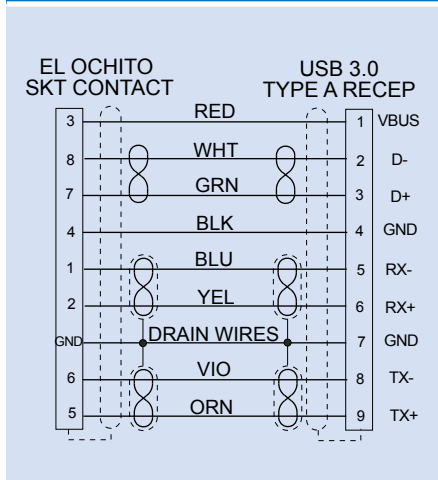
**8572-0003 El Ochito® cable assemblies with USB 3 connectors**

HIGH-SPEED CONNECTORS

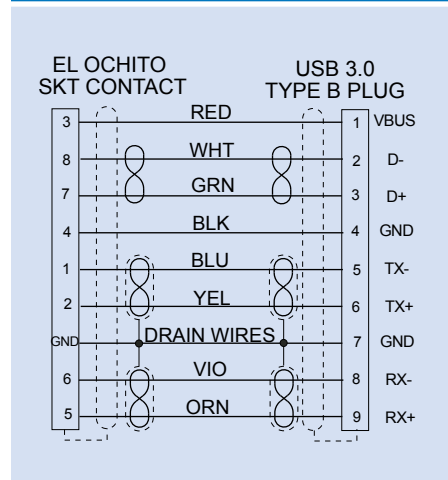
**Wiring Diagram**  
**8572-0003-01**  
**El Ochito Pin to USB 3.0 A Plug**



**Wiring Diagram**  
**8572-0003-02**  
**El Ochito Socket to USB 3.0 A Recep**



**Wiring Diagram**  
**8572-0003-03**  
**El Ochito Socket to USB 3.0 B Plug**



**Wiring Diagram**  
**8572-0003-04**  
**El Ochito Skt to USB 3.0 Micro-B Plug**

