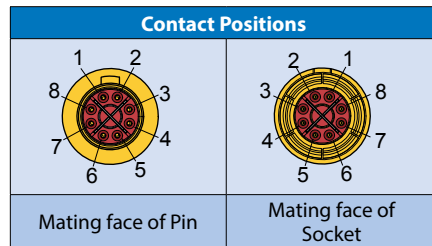


MIL-DTL-38999 Series III Type Environmental Connectors

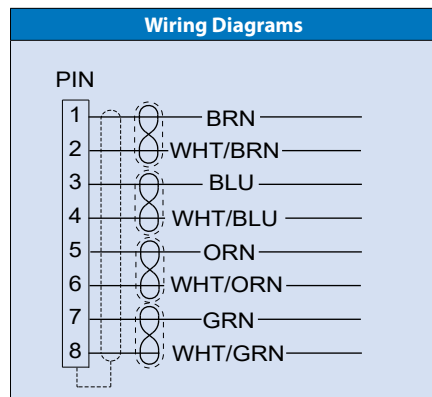
8573-0001 Pre-wired El Ochito® contacts, single-ended



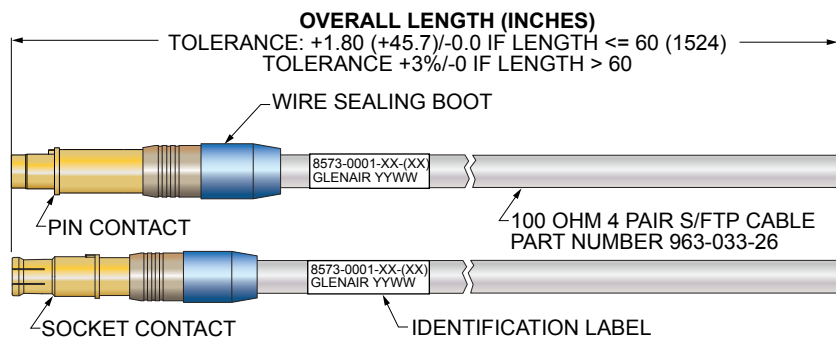
Ochito "Red" for Multi-Gigabit
100 Ohm Datalinks



Technical Data
<ul style="list-style-type: none"> Refer to individual contact and cable data sheets for construction details 100% tested for shorts, continuity and IR
<ul style="list-style-type: none"> Operating temp.: -55° to +175°C Impedance: 100 ohms DWV: 500 Vrms Current Rating: 1.5 A IR: 200 megohms min. Durability: 500 mating cycles



Save assembly time and cost with pre-wired, 100% tested El Ochito® "Red" assemblies for multi-gigabit datalinks. These single-ended cables have Ochito "Red" contacts terminated to high performance flight-grade 100 ohm shielded twisted pair cable. Supplied with cable sealing boot. Compatible with Glenair Series 23 connectors. Designed to meet the requirements of MIL-DTL-38999 and SAE AS39029. *Ochito contacts should be installed in keyed connectors before mating to prevent misalignment and contact damage.*



Part Number Development			
Sample Part Number	8573-0001	-01	-36
Series / Basic Part No.	8573-0001 = Pre-wired El Ochito® contact, single-ended, Multi-Gigabit		
EL Ochito Contact Part No.	See Table I		
Length	Length in inches (12 inch minimum)		

Table I: Order Code				
Connector Type	Order Code	Contact Part No.	Pin/Skt	Cable
Series 23	01	858-030-02F	Pin	963-033-26 (-55° to +175°C)
	02	858-031-02F	Socket	963-033-26 (-55° to +175°C)

HIGH-SPEED CONNECTORS