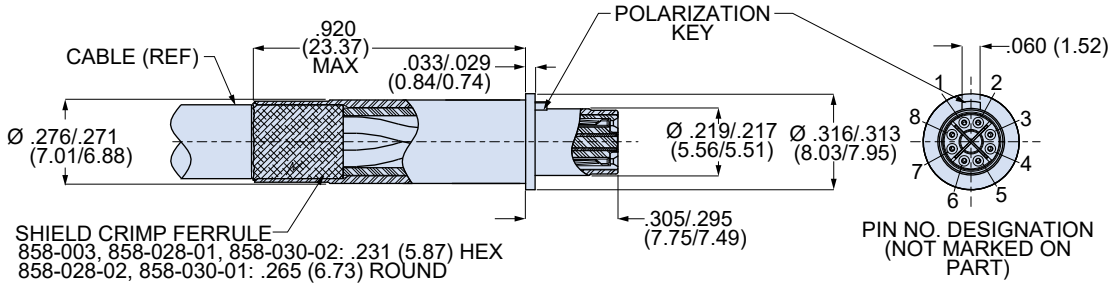


**MIL-DTL-38999 Series III Type Environmental Connectors**

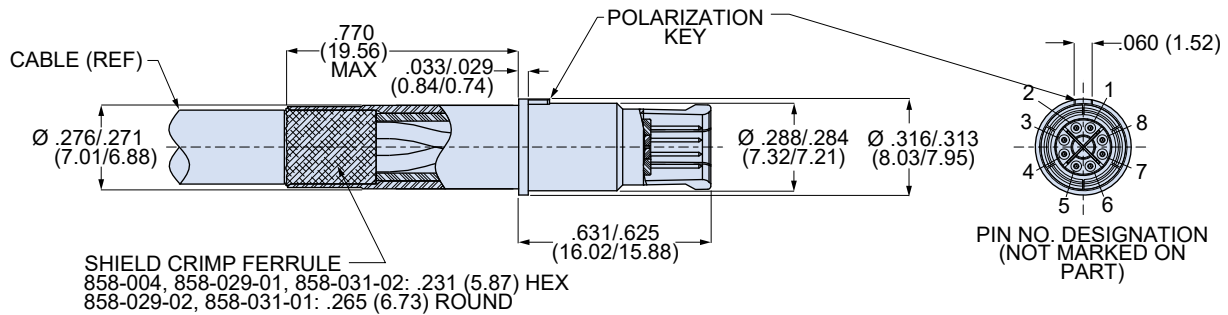
**El Ochito® octaxial pin and socket contacts**

HIGH-SPEED CONNECTORS

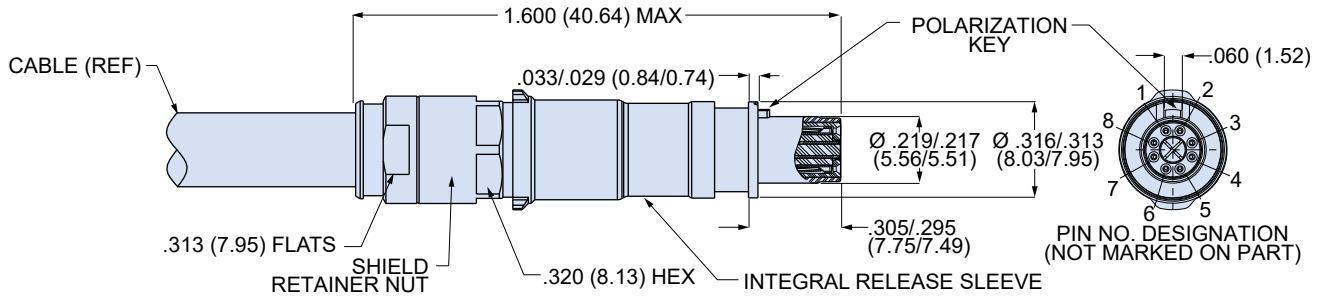
**El Ochito® Type I Pin Contact 858-003, 858-028, and 858-030**



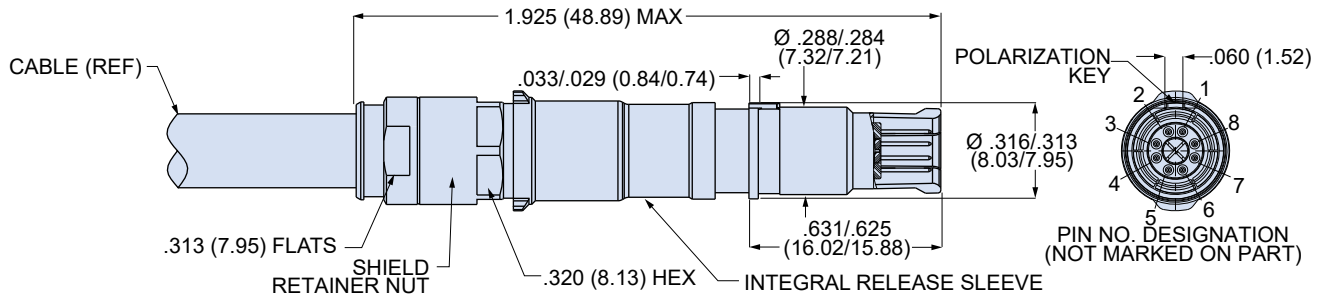
**El Ochito® Type I Socket Contact 858-004, 858-029, and 858-031**



**El Ochito® Type II Pin Contact 858-005**



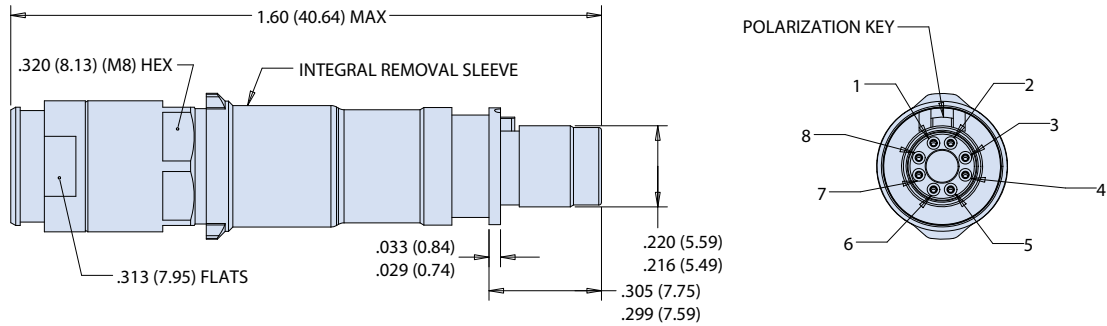
**El Ochito® Type II Socket Contact 858-006**



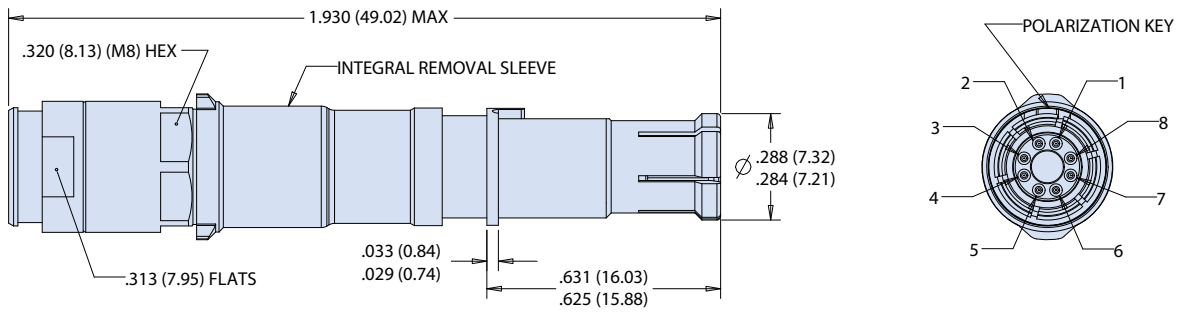
**MIL-DTL-38999 Series III Type Environmental Connectors**  
**EI Ochito® octaxial pin and socket contacts**

HIGH-SPEED CONNECTORS

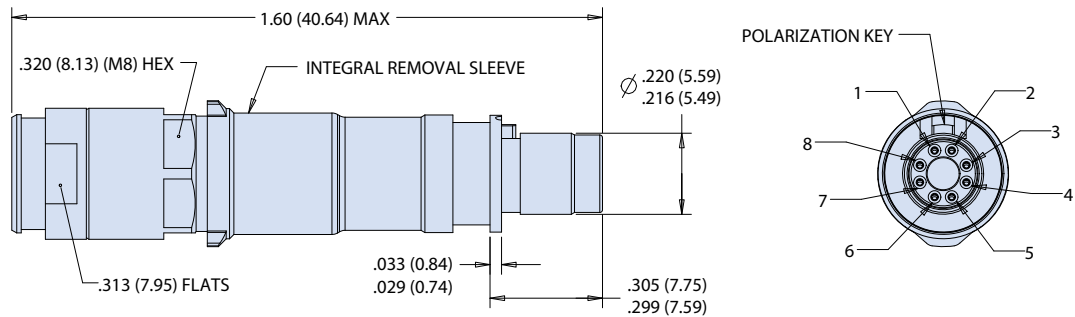
**EI Ochito® Blue Type II Pin Contact 858-069**



**EI Ochito® Blue Type II Pin Contact 858-070**



**EI Ochito® Red Type II Pin Contact 858-063**



**EI Ochito® Red Type II Socket Contact 858-064**

