

# 233-217/233-224 With shielded, crimp removable contacts MIL-DTL-38999 Series III type, part number development

Part Number Development									
Sample Part Number	233-217	-G6	NF	25	-	08	A	N	909XX
Series / Basic Part No.	233-217 with Accessory Thread 233-224 Integral Banding Porch								
Connector Style	See Connector Style Table								
Material/Finish	NF = Cadmium Olive Drab ME = Electroless Nickel MT = Nickel PTFE ZR = Black Zinc Nickel								
Shell Size	9, 11, 13, 17, 19, 21, 23, 25								
Ground Option	G = Common Ground - = None								
Insert Arrangement	Per MIL-STD-1560; See Page C-5 and C-6								
Insert Designator	A = Pin insert, less contacts B = Socket insert, less contacts								
Alternate Polarization*	A, B, C, D, E, N = Normal (IAW MIL-DTL-38999 Series III)								
Optional Mod Code	909XX = Supplies connector with contacts; see page C-11 for Mod Code details.								

Connector Style*	
Sym	Description
G6	Plug, with EMI spring
05	Receptacle, in-line
07	Receptacle, jam-nut
00	Receptacle, wall mount with slotted holes
CM	Receptacle, wall mount with metric clinch nuts
CS	Receptacle, wall mount with standard clinch nuts
D0	Receptacle, wall mount with thru holes
HM	Receptacle, wall mount with metric helicoils
HS	Receptacle, wall mount with standard helicoils

\*Refer to Section A for recommended panel cutout.

\*Refer to Section A for complete details.

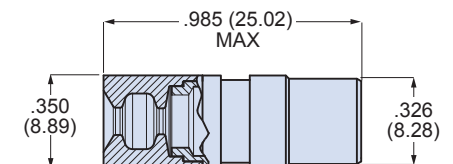
Shielded High-Speed Contact Styles			
Contact Type		Glenair P/N	Ohm
	Coax (Per M39029/59 and /60)	Pin: 852-007 Skt: 852-006	95
	Differential Twinax	Pin: 853-014-05F Skt: 853-013-05F See Note 9	100
	El Ochito	White Pin: 858-003-02F, Skt: 858-004-02F; See Note 9	100
		Blue Pin: 858-028-02F, Skt: 858-029-02F; See Note 9	90
		Red Pin: 858-030-02F, Skt: 858-031-02F; See Note 9	100
	Quadrax	Pin: 854-001-02F Skt: 854-002-02F See Note 9	100
	Triax/ Concentric Twinax	Pin: 853-003 Skt: 853-004	78

To order contacts separately see Section J

## SEALING BOOT

Sealing boot provides wire seal. Slide boot onto wire before terminating contact. After contact is installed in connector, slide boot forward into connector grommet to seal the contact cavity. "F" suffix added on contact part number specifies contact supplied with sealing boot

Wire Dia. (in.)	Wire Dia. (mm.)	Part Number
.090 - .130	2.3 - 3.3	859-042-01
.130 - .170	3.3 - 4.3	859-042-02
.170 - .205	4.3 - 5.2	859-042-03

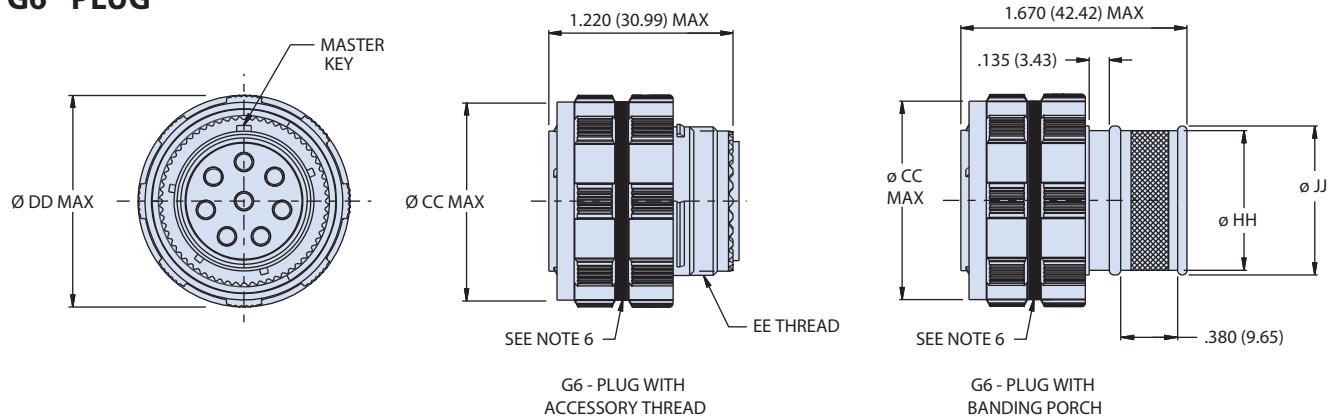


## NOTES

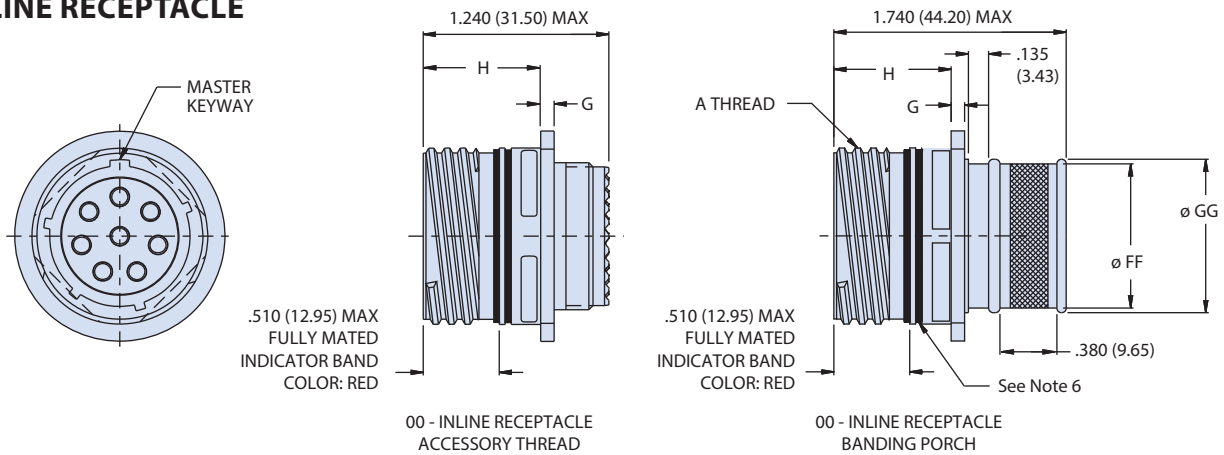
1. Insert arrangements IAW MIL-STD-1560. Contact Glenair for additional arrangement options.
2. All contacts, insertion/removal tool, and sealing plugs to be ordered separately. See section J for details.
3. Dimensions in inch (millimeter) are subject to change without notice.
4. See reference information in this section for recommended mounting holes for wall mount and jam-nut receptacles.
5. Consult factory for additional information.
6. Blue color band indicates rear release retention system.
7. All contacts, insertion/removal tool, and sealing plugs to be ordered separately.
8. For contacts with boot, add F suffix.
9. See page C-4, figure 2 for inner pin orientation.
10. Front panel mount only

**233-217/233-224 With shielded, crimp removable contacts**  
**MIL-DTL-38999 Series III type, plug/ in-line / jam-nut**

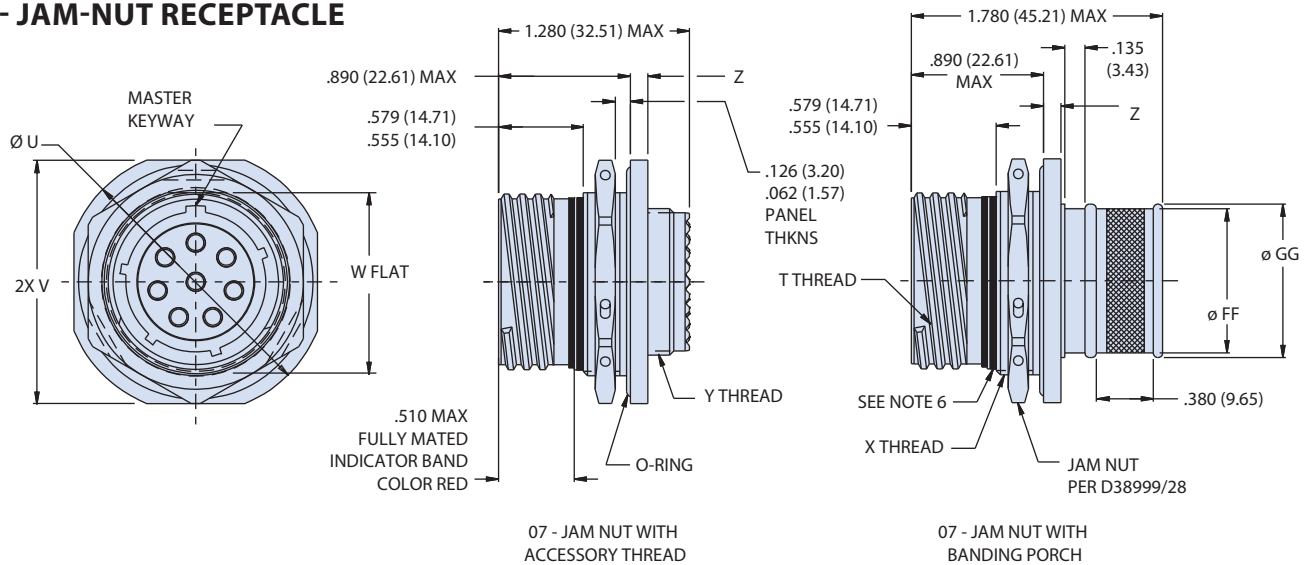
**G6 - PLUG**



**05 - IN-LINE RECEPTACLE**

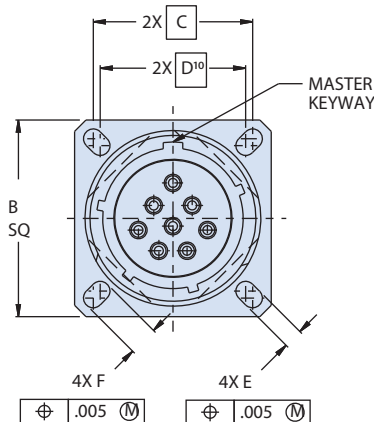


**07 - JAM-NUT RECEPTACLE**

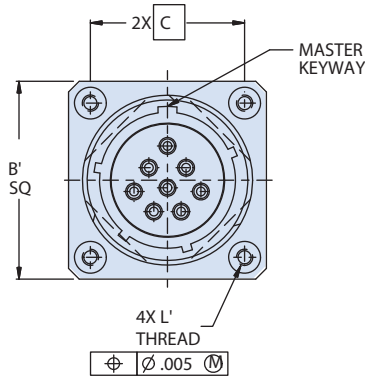


**233-217/233-224 With shielded, crimp removable contacts  
MIL-DTL-38999 Series III type, wall mount**

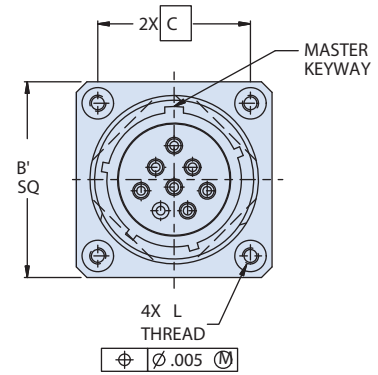
**00, CM, CS, DO, HM AND HS WALL MOUNT RECEPTACLES WITH ACCESSORY THREAD OR INTEGRAL BANDING PORCH**



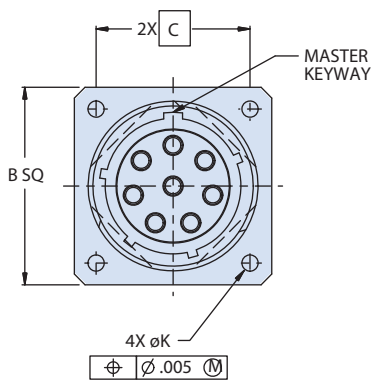
00 - WALL MOUNT RECEPTACLE WITH SLOTTED HOLES



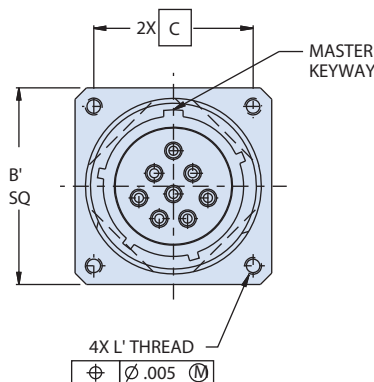
CM - WALL MOUNT RECEPTACLE WITH METRIC CLINCH NUTS



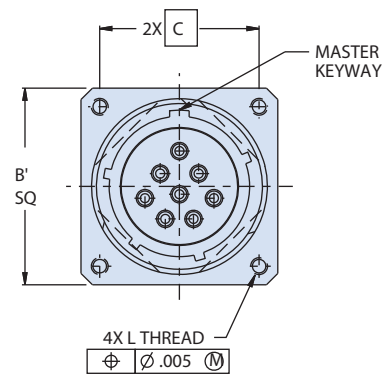
CS - WALL MOUNT RECEPTACLE WITH STANDARD CLINCH NUTS



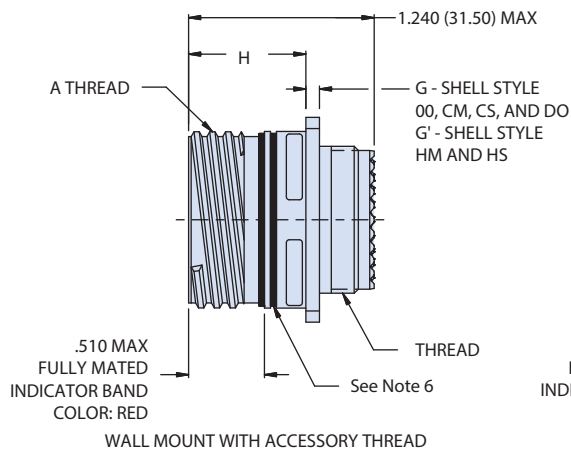
DO - WALL MOUNT RECEPTACLE WITH THRU HOLES



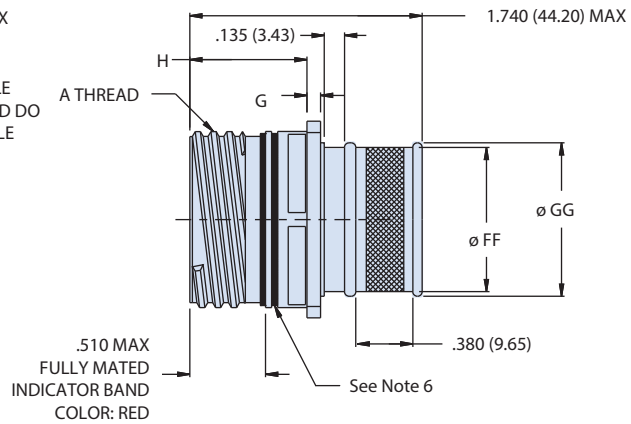
HM - WALL MOUNT RECEPTACLE WITH METRIC HELICOILS



HS - WALL MOUNT RECEPTACLE WITH STANDARD HELICOIL



WALL MOUNT WITH ACCESSORY THREAD



WALL MOUNT WITH INTEGRAL BANDING PORCH

**233-217/233-224 With shielded, crimp removable contacts**  
**MIL-DTL-38999 Series III type, dimensions**

Plug Dimension				
Shell Size Code	Shell Size	Ø CC Max	Ø DD Max	EE Thd
A	9	.811 (20.60)	.858 (21.79)	M12 X 1.0-6g 0.100R
B	11	.929 (23.60)	.984 (24.99)	M15 X 1.0-6g 0.100R
C	13	1.008 (25.60)	1.157 (29.39)	M18 X 1.0-6g 0.100R
E	17	1.358 (34.49)	1.406 (35.71)	M25 X 1.0-6g 0.100R
F	19	1.469 (37.31)	1.516 (38.51)	M28 X 1.0-6g 0.100R
G	21	1.594 (40.49)	1.642 (41.71)	M31 X 1.0-6g 0.100R
H	23	1.720 (43.69)	1.768 (44.91)	M34 X 1.0-6g 0.100R
J	25	1.843 (46.81)	1.890 (48.01)	M37 X 1.0-6g 0.100R

Jam-nut Dimensions									
Shell Size Code	Shell Size	T Thd .1P-.3L-TS-2A	ØU	V	W Flat	X Thd (1.0-6g 0.100R)	Y Thd (1.0-6g 0.100R)	Z	
A	9	.6250	1.200 (30.48) 1.178 (29.92)	1.078 (27.38) 1.048 (26.62)	.654 (16.61) .645 (16.38)	M17 X	M12 X		
B	11	.7500	1.386 (35.20) 1.362 (34.59)	1.268 (32.21) 1.236 (31.39)	0.755 (19.18) 0.745 (18.92)	M20 X	M15 X	.122 (3.10)	
C	13	.8750	1.512 (38.40) 1.488 (37.80)	1.390 (35.31) 1.358 (34.49)	.942 (23.93) .932 (23.67)	M25 X	M18 X	.083 (2.11)	
E	17	1.1875	1.764 (44.81) 1.740 (44.20)	1.642 (41.71) 1.610 (40.89)	1.191 (30.25) 1.181 (30.00)	M32 X	M25 X		
F	19	1.2500	1.949 (49.50) 1.925 (48.90)	1.827 (46.41) 1.795 (45.59)	1.316 (33.43) 1.306 (33.17)	M35 X	M28 X		
G	21	1.3750	2.075 (52.71) 2.051 (52.10)	1.953 (49.61) 1.921 (48.79)	1.441 (36.60) 1.431 (36.35)	M38 X	M31 X	.153 (3.89)	
H	23	1.5000	2.201 (55.91) 2.177 (55.30)	2.079 (52.81) 2.047 (51.99)	1.566 (39.78) 1.556 (39.52)	M41 X	M34 X	.114 (2.90)	
J	25	1.6250	2.323 (59.00) 2.299 (58.39)	2.205 (56.01) 2.173 (55.19)	1.691 (42.95) 1.681 (42.70)	M44 X	M37 X		

Wall Mount Dimensions																
Shell Size Code	Shell Size	A Thd .1P-.3L-TS-2A	B Sq	B' Sq	C Bsc	D Bsc <sup>7</sup>	E	F	G	G'	H	J Thd 1.0-6g 0.100R	ØK	L Thd	L' Thd	ØM
A	9	.6250	.949 (24.10) .925 (23.50)	1.094 (27.79) 1.054 (26.77)	.719 (18.26)	.594 (15.09)		.224 (5.69) .208 (5.28)				M12				.858 (21.79)
B	11	.7500	1.043 (26.49) 1.019 (25.88)	1.187 (30.15) 1.147 (29.13)	.812 (20.62)	.719 (18.26)						M15				.984 (24.99)
C	13	.8750	1.138 (28.91) 1.114 (28.30)	1.226 (31.14) 1.186 (30.12)	.906 (23.01)	.812 (20.62)	.136 (3.45)		.098 (2.49) .083 (2.11)	.179 (4.55) .140 (3.56)	.820 (20.83) (19.58)	M18	.136 (3.45) .120 (3.05)	.112-40 UNC	M3X0.5	1.157 (29.39) 1.406 (35.71)
E	17	1.1875	1.323 (33.60) 1.299 (32.99)	1.437 (36.50) 1.397 (35.48)	1.062 (26.97)	.969 (24.61)	.120 (3.05)	.202 (5.13) .186 (4.72)				M25				1.516 (38.51)
F	19	1.2500	1.449 (36.80) 1.425 (36.20)	1.531 (38.89) 1.491 (37.87)	1.156 (29.36)	1.062 (26.97)						M28				1.642 (41.71)
G	21	1.3750	1.575 (40.00) 1.551 (39.40)	1.625 (41.28) 1.585 (40.26)	1.250 (31.75)	1.156 (29.36)			.126 (3.20) .083 (2.11)	.190 (4.83) .170 (4.32)	.790 (20.07) (18.82)	M31				1.768 (44.91)
H	23	1.5000	1.701 (43.21) 1.677 (42.60)	1.750 (44.45) 1.710 (43.43)	1.375 (34.92)	1.250 (31.75)	.162 (4.11) .146 (3.71)	.250 (6.35) .234 (5.94)				M34	.162 (4.11) .146 (3.71)	.138-32 UNC	M4X0.7	1.890 (48.01)
J	25	1.6250	1.823 (46.30) 1.799 (45.69)	1.875 (47.63) 1.835 (46.61)	1.500 (38.10)	1.375 (34.92)						M37				

Integral Banding Porch Dimensions					
Shell Size Code	Shell Size	Ø FF	Ø GG	Ø HH	Ø JJ
A	09	.475 (12.07)	.538 (13.67)	.420 (10.67)	.465 (11.81)
B	11	.600 (15.24)	.662 (16.81)	.550 (13.97)	.595 (15.11)
C	13	.700 (17.78)	.762 (19.35)	.670 (17.02)	.715 (18.16)
D	15	.835 (21.21)	.898 (22.81)	.815 (20.70)	.860 (21.84)
E	17	.960 (24.38)	1.022 (25.96)	.945 (24.00)	.990 (25.15)
F	19	1.062 (26.97)	1.125 (28.58)	1.050 (26.67)	1.100 (27.94)
G	21	1.188 (30.18)	1.250 (31.75)	1.170 (29.72)	1.220 (30.99)
H	23	1.275 (32.39)	1.338 (33.99)	1.290 (32.77)	1.340 (34.04)
J	25	1.475 (37.47)	1.538 (39.07)	1.400 (35.56)	1.450 (36.83)