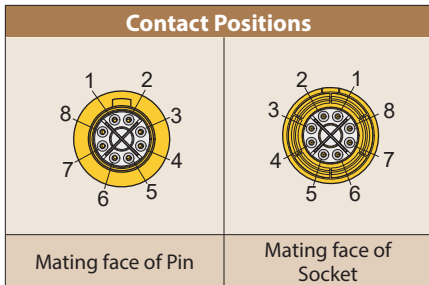


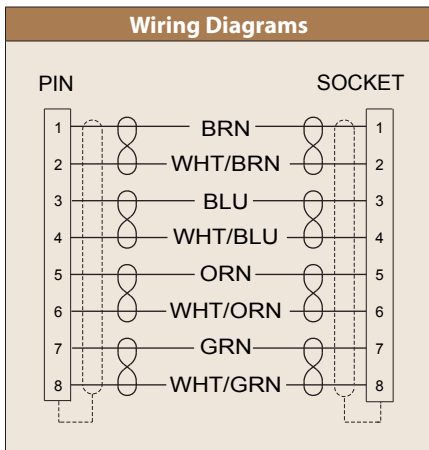
8571-0002 Pre-wired CAT 6A Ochito® contacts, pin-to-socket MIL-DTL-38999 Series III type



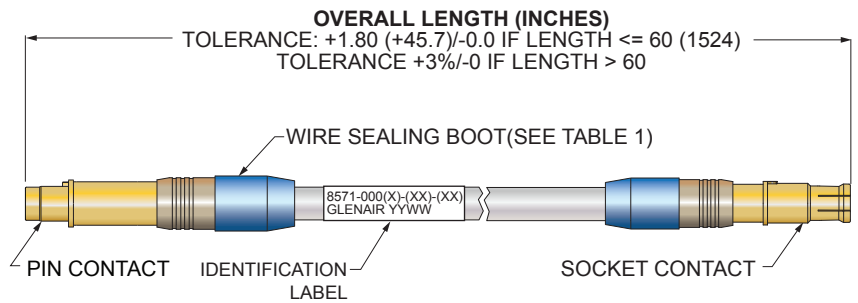
El Ochito "White" for 10GBASE-T Ethernet Pin contact mating face



Technical Data	
<ul style="list-style-type: none"> Refer to individual contact and cable data sheets for construction details 100% tested for shorts, continuity and IR 	
<ul style="list-style-type: none"> Operating temp.: -65 to +175°C Impedance: 100 ohms DWV: 500 Vrms Current Rating: 1.5 A IR: 200 megohms min. Durability: 500 mating cycles 	



Lower installed cost. 100% tested. Save assembly time and cost with pre-wired El Ochito® "White" assemblies. These pin-to-socket cables have El Ochito "White" contacts terminated to Category 6A aerospace-grade shielded cable. Supplied with cable sealing boot if applicable. These pre-wired El Ochito contacts snap into connector body without requiring an insertion tool. Remove contacts with plastic tool 859-049. Compatible with Glenair Series 23 connectors. Designed to meet the requirements of MIL-DTL-38999, SAE AS39029. *El Ochito contacts should be installed in keyed connectors before mating to prevent misalignment and contact damage.*



Part Number Development			
Sample Part Number	8571-0002	-01	-36
Series / Basic Part No.	8571-0002 = Pre-wired El Ochito® contacts, pin-to-socket		
Order Code	See Table 1		
Length	Length in inches (12 inch minimum)		

Table 1 Order Code						
Connector Type	Order Code	Pin Contact Part No.	Skt Contact Part No.	Sealing Boot	Cable Type	Cable Part Number
Series 23	01	858-003-01F	858-004-01F	Yes	S/UTP CAT6A #26 .220	963-003-26
	02	858-005-01	858-006-01	No	S/UTP CAT6A #26 .220	963-003-26
	03	858-005-02	858-006-02	No	S/FTP CAT6A #26 .220	963-033-26
	04	858-005-04	858-006-04	No	S/FTP CAT6A #24 .260	963-033-24
	05	858-003-02F	858-004-02F	Yes	S/FTP CAT6A #26 .220	963-033-26