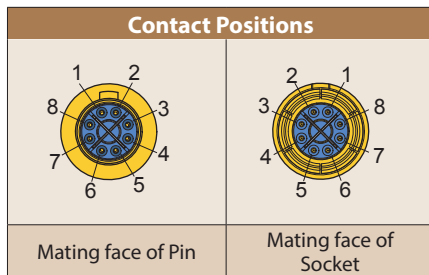


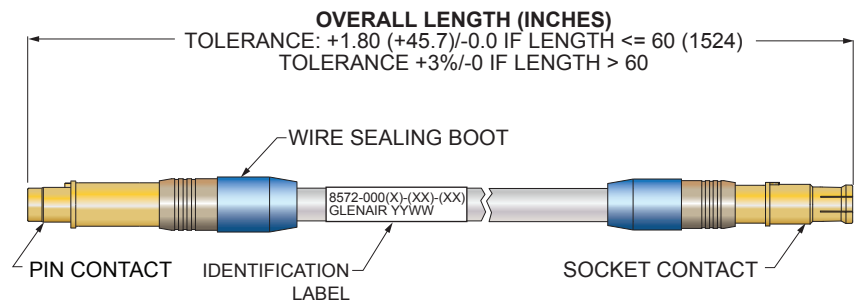
# 8572-0002 Cable assembly, El Ochito® -to-RJ45 modular plug MIL-DTL-38999 Series III type



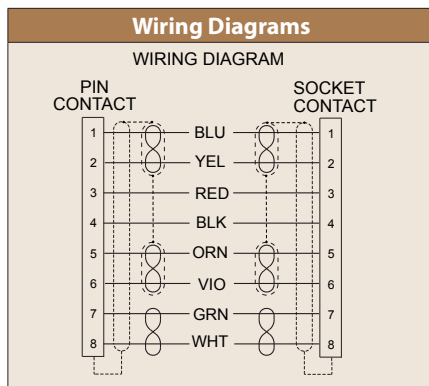
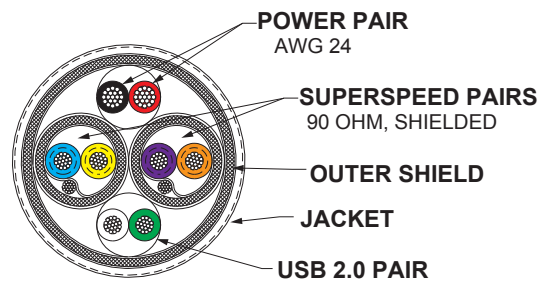
Ochito "Blue" for SuperSpeed USB  
Pin contact mating face



**Aerospace-grade or commercial-grade cable. 100% tested.** Save assembly time and cost with pre-wired El Ochito® "Blue" SuperSpeed USB assemblies. These assemblies have a pin contact on one end and a socket contact on the other. Aerospace-grade high temperature cable has fluoropolymer construction. Commercial-grade version has PVC jacket. Compatible with Glenair Series 23 connectors. Supplied with cable sealing boot. *Ochito contacts should be installed in keyed connectors before mating to prevent misalignment and contact damage.*



Technical Data
<ul style="list-style-type: none"> <li>Refer to individual contact and cable data sheets for construction details</li> <li>100% tested for shorts, continuity and IR</li> </ul>
<ul style="list-style-type: none"> <li><b>Operating temperature</b> Aero: -65° to +125°C Commercial: 0 to 80°C</li> <li><b>Wire Size:</b> 26 AWG</li> <li><b>Impedance:</b> 90 ohms</li> <li><b>DWV:</b> 500 Vrms</li> <li><b>Current Rating:</b> 1.5 A</li> <li><b>IR:</b> 200 megohms min.</li> <li><b>Durability:</b> 500 mating cycles</li> </ul>



Part Number Development			
Sample Part Number	8572-0002	-01	-36
Series / Basic Part No.	8572-0002 = Pre-wired El Ochito® contact, with USB 3 cable		
Order Code	See Table 1		
Length	Length in inches (12 inch minimum)		

Table 1 Order Code				
Order Code	Pin Contact Part No	Skt Contact Part No	Cable Type	Cable Part No
01	858-028-01F	858-029-01F	Commercial-grade, PVC Jacket, -0°C to +80°C	963-118
02	858-028-02F	858-029-02F	Aerospace-grade, Fluoropolymer Jacket, -65°C to +125°C	963-110