

8572-0003 El Ochito® cable assemblies with USB 3 connectors MIL-DTL-38999 Series III type

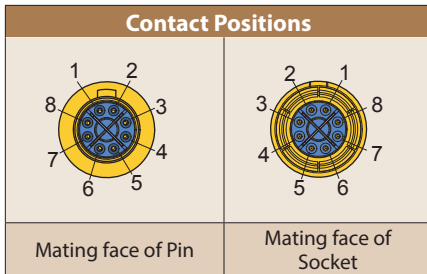
USB 3.0 Connectors. Commercial grade. 100% tested. Save assembly time and cost with pre-wired El Ochito® “Blue” SuperSpeed USB assemblies. These assemblies have El Ochito “Blue” contacts wired to USB 3.0 connectors. Supplied with cable sealing boot. Compatible with Glenair Series 23 connectors. *El Ochito contacts should be installed in keyed connectors before mating to prevent misalignment and contact damage.*

Part Number Development			
Sample Part Number	8572-0003	-01	-36
Series / Basic Part No.	8572-0003 = Pre-wired Ochito contacts, with USB 3 connectors		
Order Code	See Table 1		
Length	Length in inches (12 inch minimum)		

Table 1 Order Code				
Connector Type	Order Code	Contact Part No.	Pin/Skt	USB 3.0 Connector
Series 23	01	858-028-01F	Pin	A Plug
	02	858-029-01F	Socket	A Recep
	03	858-029-01F	Socket	B Plug
	04	858-029-01F	Socket	Micro-B Plug

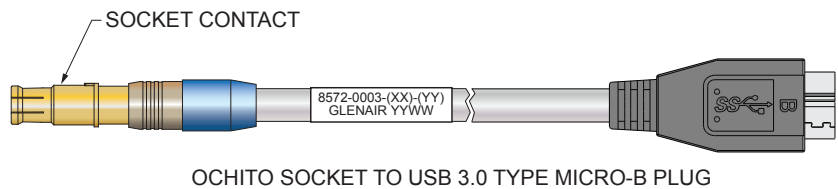
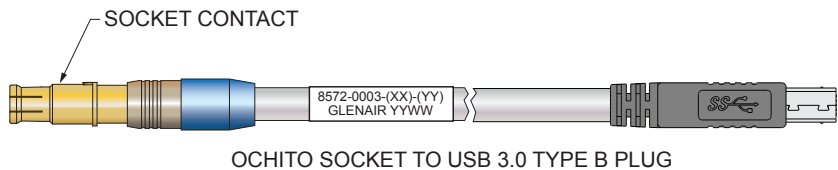
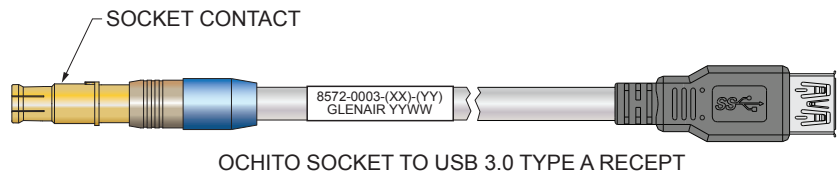
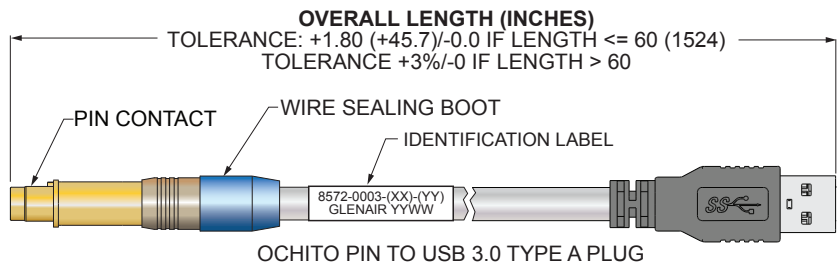


Ochito “Blue” for SuperSpeed USB
Pin contact mating face



Technical Data
<ul style="list-style-type: none"> ❑ Operating temp.: -0 to +80°C ❑ Impedance: 90 ohms ❑ DWV: 100 Vrms ❑ Current Rating: 1.5 A ❑ IR: 100 megohms min. ❑ Durability: 500 mating cycles

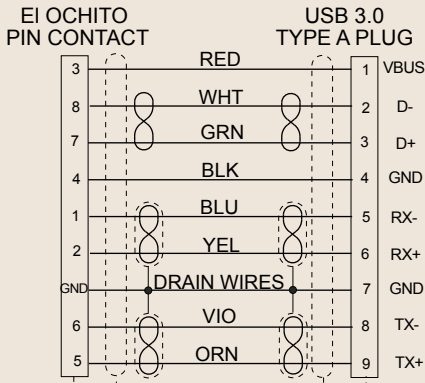
Construction
<ul style="list-style-type: none"> ❑ Refer to individual contact data sheets for additional details ❑ 100% tested for shorts, continuity and IR
<ul style="list-style-type: none"> ❑ Cable: commercial-grade, PVC jacket, non-DFAR compliant



8572-0003 El Ochito® cable assemblies with USB 3 connectors MIL-DTL-38999 Series III type

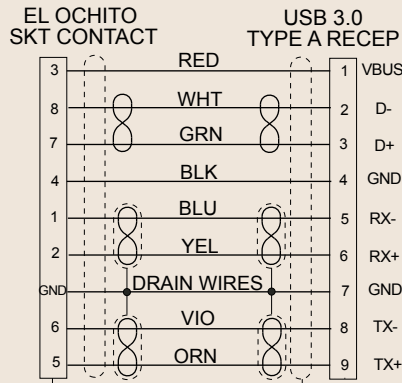
**Wiring Diagram
8572-0003-01**

El Ochito Pin to USB 3.0 A Plug



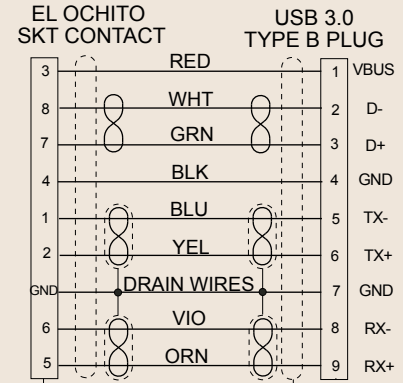
**Wiring Diagram
8572-0003-02**

El Ochito Socket to USB 3.0 A Recep



**Wiring Diagram
8572-0003-03**

El Ochito Socket to USB 3.0 B Plug



**Wiring Diagram
8572-0003-04**

El Ochito Skt to USB 3.0 Micro-B Plug

