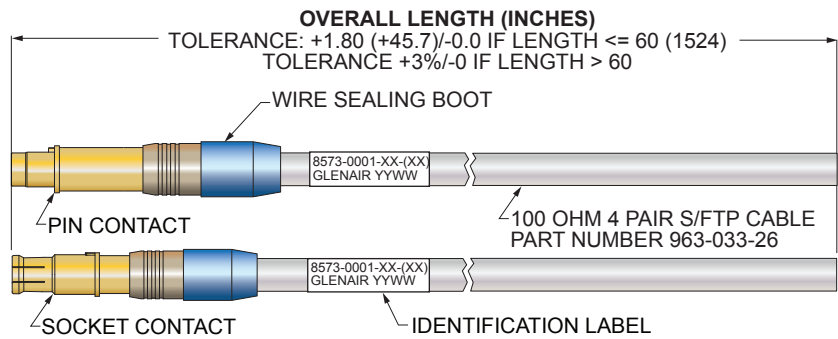
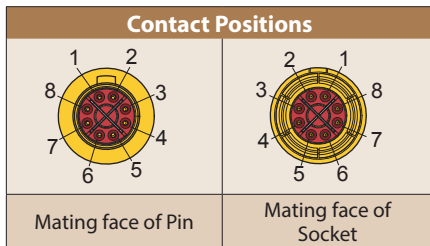


# 8573-0001 Pre-wired El Ochito® contacts, single-ended MIL-DTL-38999 Series III type



Ochito "Red" for Multi-Gigabit 100 Ohm Datalinks

Save assembly time and cost with pre-wired, 100% tested El Ochito® "Red" assemblies for multi-gigabit datalinks. These single-ended cables have Ochito "Red" contacts terminated to high performance flight-grade 100 ohm shielded twisted pair cable. Supplied with cable sealing boot. Compatible with Glenair Series 23 connectors. Designed to meet the requirements of MIL-DTL-38999 and SAE AS39029. *Ochito contacts should be installed in keyed connectors before mating to prevent misalignment and contact damage.*



Technical Data	
<ul style="list-style-type: none"> <li>Refer to individual contact and cable data sheets for construction details</li> <li>100% tested for shorts, continuity and IR</li> </ul>	
<ul style="list-style-type: none"> <li><b>Operating temp.:</b> -65 to +125°C</li> <li><b>Impedance:</b> 100 ohms</li> <li><b>DWV:</b> 500 Vrms</li> <li><b>Current Rating:</b> 1.5 A</li> <li><b>IR:</b> 200 megohms min.</li> <li><b>Durability:</b> 500 mating cycles</li> </ul>	

Part Number Development			
Sample Part Number	8573-0001	-01	-36
Series / Basic Part No.	8573-0001 = Pre-wired El Ochito® contact, single-ended, Multi-Gigabit		
EL Ochito Contact Part No.	See Table 1		
Length	Length in inches (12 inch minimum)		

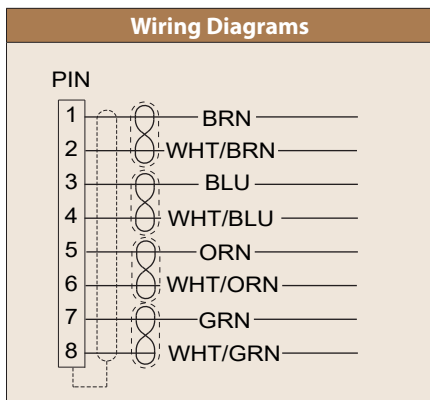


Table 1 Order Code				
Connector Type	Order Code	Contact Part No.	Pin/Skt	Cable
Series 23	01	858-030-02F	Pin	963-033-26
	02	858-031-02F	Socket	963-033-26