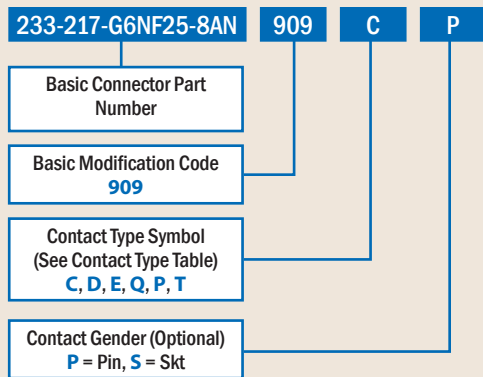


El Ochito® technical data, modification codes and sealing boots MIL-DTL-38999 Series III type

| Specifications | | |
|--|---|--|
| Specifications | Construction | Connector Compatibility |
| <ul style="list-style-type: none"> Operating temperature: El Ochito® White: -65° to +175°C El Ochito® Blue: -65° to +125°C El Ochito® Red: -65° to +125°C Impedance: El Ochito® White: 100 ohms El Ochito® Blue: 90 ohms El Ochito® Red: 100 ohms Dielectric withstanding voltage: 500 Vrms Current Rating: 1.5 A Insulation resistance: 5000 megohms min. Durability: 500 mating cycles Vibration: MIL-DTL-38999 Series III Shock: MIL-DTL-38999 Series III | <ul style="list-style-type: none"> Inner contacts, outer contact, ferrules, retaining nut: copper alloy, 50 microinches gold over nickel plating Insulators: El Ochito® White: PPS, natural color El Ochito® Blue: low-dielectric constant thermoplastic, blue El Ochito® Red: low-dielectric constant thermoplastic, red O-ring: fluorosilicone Heatshrink tubing: PVDF Contact release sleeve: stainless steel, passivated Sealing boot grommet: fluorosilicone Sealing boot body: rigid thermoplastic, PEI or equivalent Spline, El Ochito® White: copper alloy, nickel plating Spline, El Ochito® Red and Blue: Polyimide | <ul style="list-style-type: none"> El Ochito® contacts have an alignment key and are not suitable for use in standard MIL-DTL-38999 connectors Series 80 Mighty Mouse with keyed size 8 cavities Series 792 Ultraminiature Rectangular ARINC 600 quadaxial inserts EPXB quadrax inserts Series 28 HiPer-D® connectors (280-082 and 280-083) |

909 Modification Code

Modification code 909xx is used to supply D38999 Series III Type connectors (Glenair 233, 257, and 2570 families) featuring crimp removable type contacts with high-speed contact kits. Kits include spares, tools, and sealing plugs. See example below.

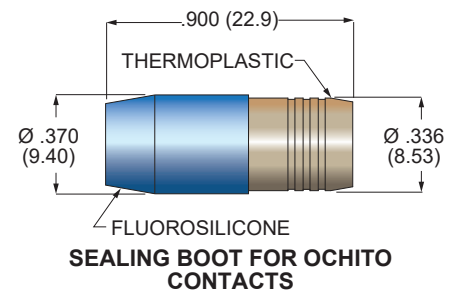


*For El Ochito see Contact Configuration Table on following page for appropriate code and dash number symbol. For high-speed protocols that have more than 8 wires such as HDMI and display port, contact factory. For 858-005 and 858-006 omit and order separately.

| Contact Type | | |
|--------------|-----------------------------|---|
| Sym | Description | Glenair P/N |
| C | Coax, per M39029 /59 & /60 | Pin: 809-114 Skt: 809-116 |
| | | Pin: 809-118 Skt: 809-120 |
| | | Pin: 852-007 Socket: 852-006 |
| | | |
| D | Differential Twinax | Pin: 853-014-05F Skt: 853-013-05F |
| E* | El Ochito® Octaxial | Pin: 858-003-02F Skt: 858-004-02F |
| | | Pin: 858-028-02F Skt: 858-029-02F |
| | | Pin: 858-030-01-02F Skt: 858-031-02F |
| | | |
| Q | Quadrax | Pin: 854-001-02F Skt: 854-002-02F |
| T | Triax/ Concentric Twinax | Pin: 853-003 Skt: 853-004 |
| P | Power | Pin: 850-014F Skt: 850-013F |
| | | |

Sealing Boot

An "F" suffix in the contact part number indicates the contact is supplied with a sealing boot. To order these contacts without sealing boots, delete the "F" suffix from the part number. Sealing boots are not supplied with 858-005, 858-006, 858-009, 858-010, 858-035, 858-037, 858-038 and 858-039 contacts.



687-754-8-8
FOR .220 (5.56) DIAMETER CABLES
687-754-8-9
FOR .236 (6.0) DIAMETER CABLES