

# El Ochito® “White” Test Adapters and Cables for 10G Ethernet MIL-DTL-38999 Series III type



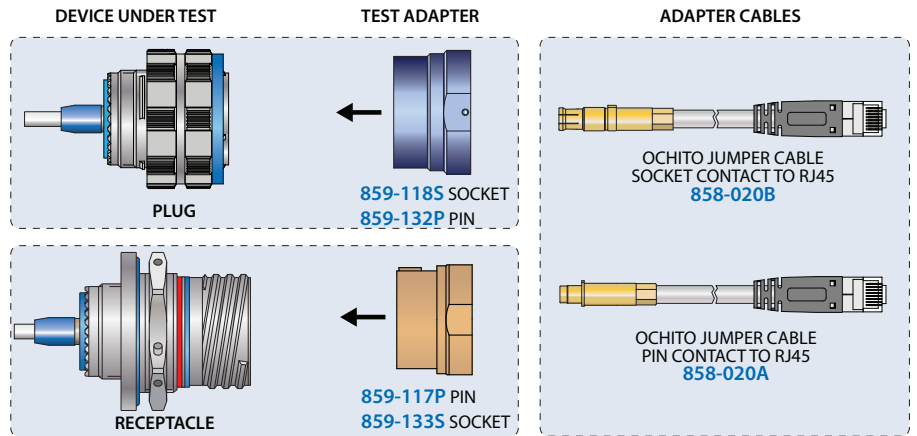
Plug Adapter



Receptacle Adapter

Prevent damage to expensive cables with El Ochito® test adapters and jumper cables. These test adapters properly align mating test contacts without the added expense and time-consuming labor of mating connectors. Jumper cables are ordered separately. Push test adapter into Device Under Test (DUT), then insert adapter cable into adapter. No tool is required to insert and remove adapter cable. Jumper cables have high performance shielded EIA/TIA 568-C.2 Cat6A RJ45 plug for interface with test instruments.

Construction	
❑	Receptacle adapter (859-117P and 857-133S): polyetherimide resin, natural color
❑	Plug adapter (859-118S and 859-132P): polyetherimide insert, blue anodized aluminum alloy housing
Connector Compatibility	
❑	Glenair 233-217 SuperNine™ connectors with size 8 El Ochito® contacts



### Ordering Information for El Ochito® Test Adapters (Jumper Cables not Included)

RECEPTACLE ADAPTER MATES WITH PLUG CONNECTOR	Device Under Test				
	Arr.	Plug with Pin Contacts <sup>(1)</sup>	Plug with Socket Contacts <sup>(1)</sup>	Receptacle with Pin Contacts	Receptacle with Socket Contacts
 859-118S MATES WITH PLUG WITH PIN CONTACTS 859-132P MATES WITH PLUG WITH SOCKET CONTACTS	9G5	859-118S09G05N	859-132P09G05N	859-133S09G05	859-117P09G05
	11-01	859-118S11-01N	859-132P11-01N	859-133S11-01	859-117P11-01
	13-14	859-118S13-14N	859-132P13-14N	859-133S13-14	859-117P13-14
	17-02	859-118S17-02N	859-132P17-02N	859-133S17-02	859-117P17-02
	17-22	859-118S17-22N	859-132P17-22N	859-133S17-22	859-117P17-22
	17-60	859-118S17-60N	859-132P17-60N	859-133S17-60	859-117P17-60
	17-75	859-118S17-75N	859-132P17-75N	859-133S17-75	859-117P17-75
	19-04	859-118S19-04N	859-132P19-04N	859-133S19-04	859-117P19-04
	19-12	859-118S19-12N	859-132P19-12N	859-133S19-12	859-117P19-12
	19-17	859-118S19-17N	859-132P19-17N	859-133S19-17	859-117P19-17
	19-18	859-118S19-18N	859-132P19-18N	859-133S19-18	859-117P19-18
	21-75	859-118S21-75N	859-132P21-75N	859-133S21-75	859-117P21-75
	23-05	859-118S23-05N	859-132P23-05N	859-133S23-05	859-117P23-05
	23-06	859-118S23-06N	859-132P23-06N	859-133S23-06	859-117P23-06
	25-07	859-118S25-07N	859-132P25-07N	859-133S25-07	859-117P25-07
	25-08	859-118S25-08N	859-132P25-08N	859-133S25-08	859-117P25-08
	25-17	859-118S25-17N	859-132P25-17N	859-133S25-17	859-117P25-17
25-20	859-118S25-20N	859-132P25-20N	859-133S25-20	859-117P25-20	
25-26	859-118S25-26N	859-132P25-26N	859-133S25-26	859-117P25-26	
25-41	859-118S25-41N	859-132P25-41N	859-133S25-41	859-117P25-41	
25-46	859-118S25-46N	859-132P25-46N	859-133S25-46	859-117P25-46	

(1) For alternate polarizations, change suffix code from N to A, B, C, D or E.

# El Ochito® “White” test adapters and cables for 10G Ethernet MIL-DTL-38999 Series III type

### 859-117P Pin Adapter

Shell Size	A Diameter	
	In.	mm.
09 (A)	.650	16.5
11 (B)	.780	19.8
13 (C)	.900	22.9
17 (E)	1.203	30.6
19 (F)	1.265	32.1
21 (G)	1.390	35.3
23 (H)	1.520	38.6
25 (J)	1.635	41.5

### 859-118S Socket Adapter

Shell Size	A Diameter	
	In.	mm.
09 (A)	.710	18.0
11 (B)	.850	21.6
13 (C)	1.000	25.4
17 (E)	1.271	32.3
19 (F)	1.333	33.9
21 (G)	1.460	37.1
23 (H)	1.585	40.3
25 (J)	1.711	43.5

### 859-132P Pin Adapter

Shell Size	A Diameter	
	In.	mm.
09 (A)	.710	18.0
11 (B)	.850	21.6
13 (C)	1.000	25.4
17 (E)	1.271	32.3
19 (F)	1.333	33.9
21 (G)	1.460	37.1
23 (H)	1.585	40.3
25 (J)	1.711	43.5

### 859-133S Socket Adapter

Shell Size	A Diameter	
	In.	mm.
09 (A)	.650	16.5
11 (B)	.780	19.8
13 (C)	.900	22.9
17 (E)	1.203	30.6
19 (F)	1.265	32.1
21 (G)	1.390	35.3
23 (H)	1.520	38.6
25 (J)	1.635	41.5

### El Ochito® Test Jumpers with Pin Contacts

RJ45 MODULAR PLUG SHIELDED HIGH PERFORMANCE CAT6A 10 GIGABIT SPEED

MATING FACE OF PIN CONTACT

OCHITO PIN CONTACT (858-018)

ETHERNET CABLE S/FTP CAT6A, 26 AWG (963-033-26)

### El Ochito® Test Jumpers with Socket Contacts

RJ45 MODULAR PLUG SHIELDED HIGH PERFORMANCE CAT6A 10 GIGABIT SPEED

MATING FACE OF SOCKET CONTACT

OCHITO SOCKET CONTACT (858-019)

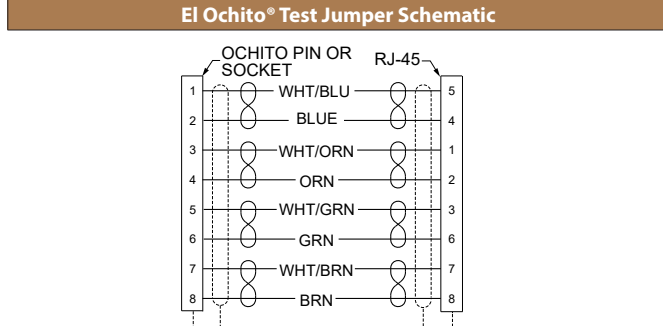
ETHERNET CABLE S/FTP CAT6A, 26 AWG (963-033-26)

### Pin Jumper Ordering Information

OA Length Inches	OA Length meters	Part Number
18	0.45	858-020-A-02-18
36	0.91	858-020-A-02-36
72	1.82	858-020-A-02-72
120	3.05	858-020-A-02-120

### Socket Jumper Ordering Information

OA length Inches	OA Length meters	Part Number
18	0.45	858-020-B-02-18
36	0.91	858-020-B-02-36
72	1.82	858-020-B-02-72
120	3.05	858-020-B-02-120



- ### Notes
- 858-020 jumper cables are intended only for use in Glenair El Ochito® test adapters. Do not attempt to install in MIL-DTL-38999 type connectors.
  - Other cable lengths are readily available. Change the suffix number to the desired length in inches.
  - 858-020 jumper cables are fully assembled and 100% electrically tested.
  - Length is minimum overall length including contact and plug.
  - No tool is required to install or remove contacts.
  - Jumper cables are wired per the guidelines of ARINC 664 Part 2 Appendix N.