

233-220 PC tail receptacle with SpeedMaster™ contacts  
MIL-DTL-38999 Series III type, part number development

Part Number Development	
<b>Sample Part Number</b>	233-220 -07 ME 25 -7 P N
<b>Series / Basic Part No.</b>	SuperNine Environmental High-Speed connector
<b>Connector Style*</b>	See connector type table
<b>Material/Finish</b>	NF = Cadmium Olive Drab MT = Nickel PTFE ZR = Black Zinc Nickel ME = Electroless Nickel
<b>Shell Size</b>	11, 19, 21, 25
<b>Insert Arrangement</b>	See Insert Arrangement Table
<b>Module Type</b>	P = Pin S = Socket
<b>Alternate Polarization</b>	A, B, C, D, E, N = Normal (IAW MIL-DTL-38999 Series III); See alternate positions table.



Connector Style	
Symbol	Description
00	Wall mount receptacle with slotted holes, standard standoff threads
10	Wall mount receptacle with slotted holes, metric standoff threads
CM	Wall mount receptacle with metric clinch nuts
CS	Wall mount receptacle with standard clinch nuts
HM	Wall mount receptacle with metric helicoils
HS	Wall mount receptacle with standard helicoils
07	Jam-nut receptacle

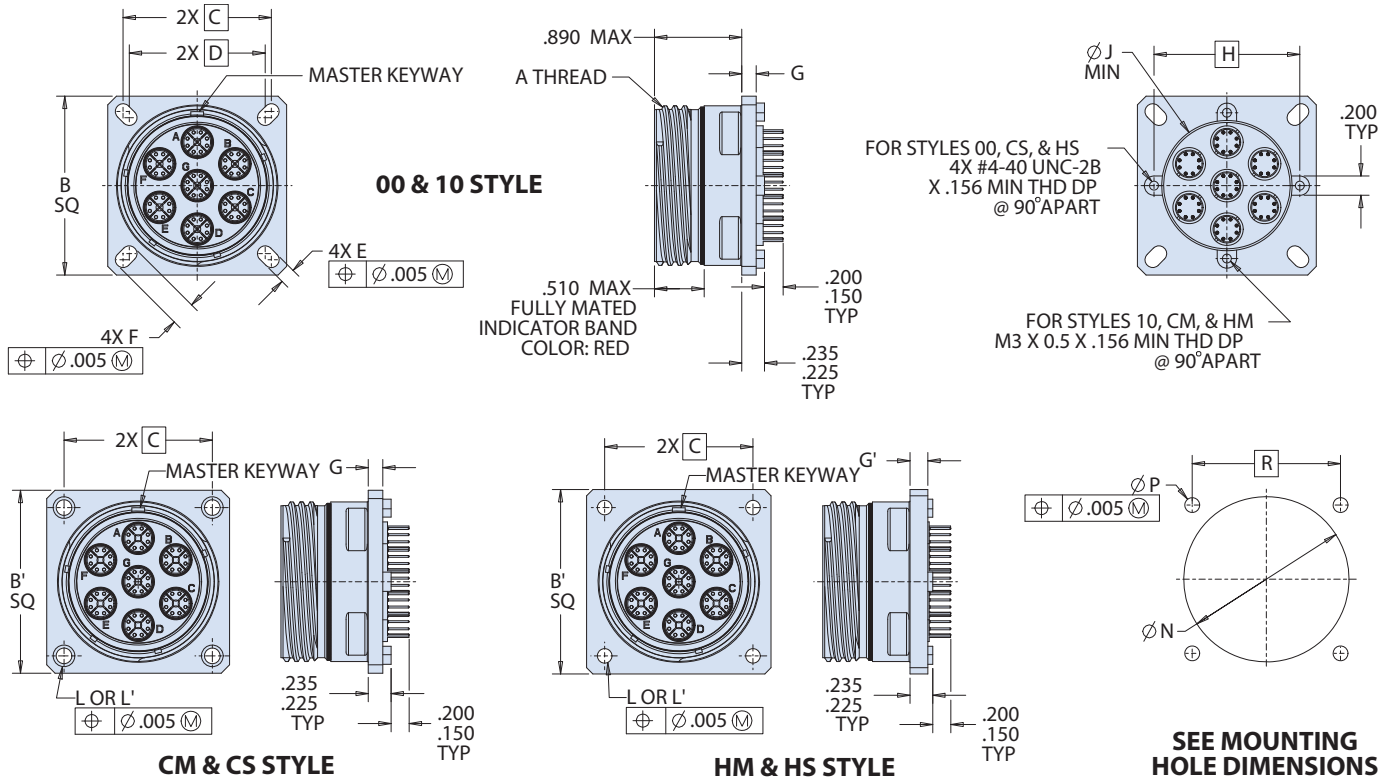
Alternate Positions						
Keyway Positions (Receptacle)						
Shell Size Code	Shell Size	Alternate Position Code	AR°	BR°	CR°	DR°
B	11	N	95	141	208	236
		A	113	156	182	292
		B	90	145	195	252
		C	53	156	220	255
		D	119	146	176	298
F G J	19 21 25	N	80	142	196	293
		A	135	170	200	310
		B	49	169	200	244
		C	66	140	200	257
		D	62	145	180	280
		E	79	153	197	272

Insert Arrangements			
11-1	19-3	21-4	25-7

**NOTES**

- Mates with Glenair 233-216-G6, D38999 SpeedMaster plug of same keying and insert arrangement. Mating connector must be 1.5 meter minimum cable length
- Material/finish
  - Shell, jam-nut: see part number development
  - Insert: Aluminum alloy/ silver
  - Seals, o-ring: Fluorosilicone blend/n.a.
  - Insulators: rigid dielectric/n.a.
  - Contacts: copper alloy/gold
  - Potting: epoxy/n.a.

# 233-220 PC tail receptacle with SpeedMaster™ contacts MIL-DTL-38999 Series III type, wall mount

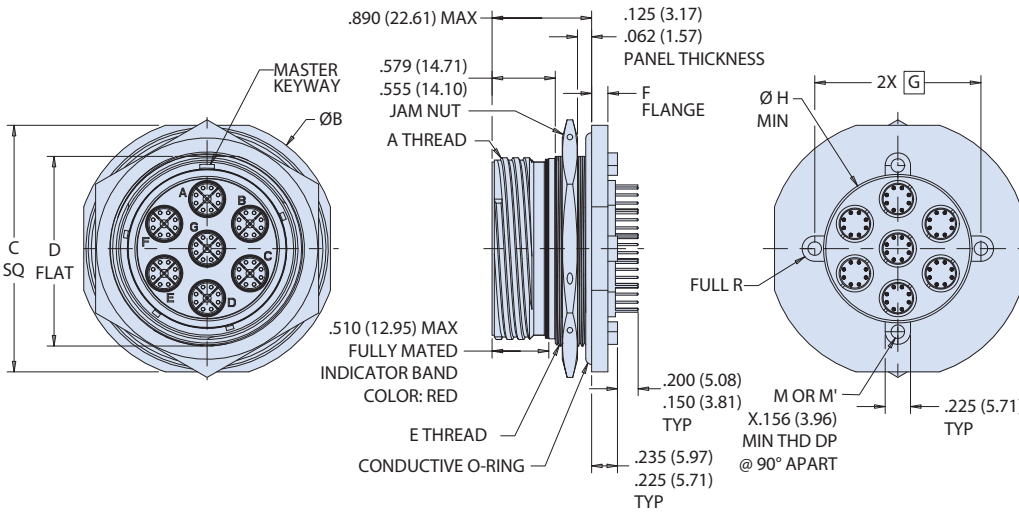


Dimensions														
Shell Size	A Thread	B Sq	B' Sq	C Bsc	D Bsc	E	F	G	G'	H	ØJ Min	Thread		
												L	L'	
11	.7500	1.043 (26.49)	1.187 (30.15)	.812 (20.62)	.719 (18.26)									
	-0.1P-0.3L-TS-2A	1.019 (25.88)	1.147 (29.13)											
19	1.2500	1.449 (36.80)	1.531 (38.89)	1.156 (29.36)	1.062 (26.97)	.136 (3.45) .120 (3.05)	.202 (5.13) .186 (4.72)							
	-0.1P-0.3L-TS-2A	1.425 (36.20)	1.491 (37.87)											
21	1.3750	1.575 (40.00)	1.625 (41.28)	1.250 (31.75)	1.156 (29.36)			.153 (3.89) .114 (2.90)						
	-0.1P-0.3L-TS-2A	1.551 (39.40)	1.585 (40.26)											
25	1.6250	1.823 (46.30)	1.875 (47.63)	1.500 (38.10)	1.375 (34.92)	.162 (4.11) .146 (3.71)	.250 (6.35) .235 (5.97)							
	-0.1P-0.3L-TS-2A	1.799 (45.69)	1.835 (46.61)											

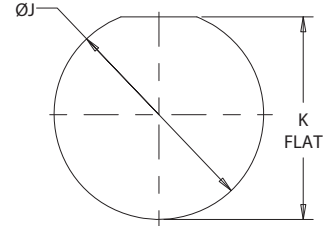
Mounting Hole Dimensions			
Shell Size	ØN Min	Ø P Holes	R Bsc
11	0.796 (20.22)	0.133 (3.38) 0.123 (3.12)	0.812 (20.62)
19	1.297 (32.94)		1.156 (29.36)
21	1.422 (36.12)		1.250 (31.75)
25	1.672 (42.47)	0.155 (3.94) 0.145 (3.68)	1.500 (38.10)

233-220 PC tail receptacle with SpeedMaster™ contacts  
MIL-DTL-38999 Series III type, jam-nut

07- JAM-NUT MOUNT RECEPTACLE D38999/24 TYPE



PANEL CUT-OUT



Dimensions		
Shell Size	ØJ ±0.010	K Flat
11	.830 (21.08)	.766 (19.46)
19	1.390 (35.31)	1.330 (33.78)
21	1.515 (38.48)	1.455 (36.96)
25	1.765 (44.83)	1.705 (43.31)

Dimensions										
Shell Size	A Thread -0.1P-0.3L-TS-2A	Ø B	C Sq	D Flat	E Thread ISO Metric	F	G	ØH Min	Threads	
									M	M'
11	.7500	1.386 (35.20) 1.362 (34.59)	1.268 (32.21) 1.263 (32.08)	0.755 (19.18) 0.745 (18.92)	M20 X 1.0-6g	0.122 (3.10) 0.083 (2.11)	0.719 (18.26)	0.468 (11.89)	.112-40 UNC-2B	M3 X .05
21	1.3750	2.075 (52.71) 2.051 (52.10)	1.953 (49.61) 1.921 (48.79)	1.441 (36.60) 1.431 (36.35)	M38 X 1.0-6g	0.153 (3.89) 0.114 (2.90)	1.221 (31.01)	1.055 (26.80)		

PCB FOOTPRINTS

