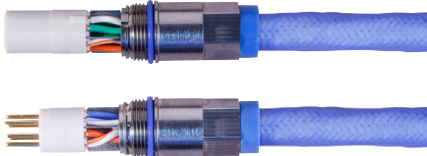


8575-0001 SpeedMaster™ Cat 6A contacts, pre-wired for use in MIL-DTL-38999 Series III type connectors



Technical Data Specifications

- Operating temperature: -65°C to +200°C (SpeedMaster) or -40°C to +85°C (RJ45); cable dependent
- Meets EIA/TIA 568C.2-10 and IEC 60603-7-51 Cat 6A 500 MHz
- Characteristic Impedance: 100 ohms
- Insulation resistance: 200 megohms min.
- Durability: 500 mating cycles

SpeedMaster Construction

- Isolator body:** copper alloy/electroless nickel
- Contacts:** copper alloy, gold plated
- Retention ferrule and shield ferrule:** copper alloy/electroless nickel
- Insulator:** rigid plastic/N.A.
- O-rings/grommets:** fluorosilicone blend/N.A.

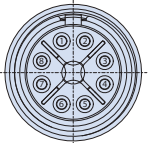
RJ45 Construction

- Body:** UL 94-V0 polycarbonate
- Grommet:** UL 94-V0 polycarbonate
- Contacts:** copper alloy, 50 microinches selective gold plating
- Shield:** nickel-plated copper alloy

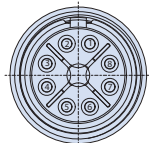
Connector Compatibility

- Glenair 824-009 and -010 Mighty Mouse
- Glenair 280-098 thru -103 HiPer-D
- Glenair 233-219 SuperNine

Contact Positions



Mating Face of Pin Contacts



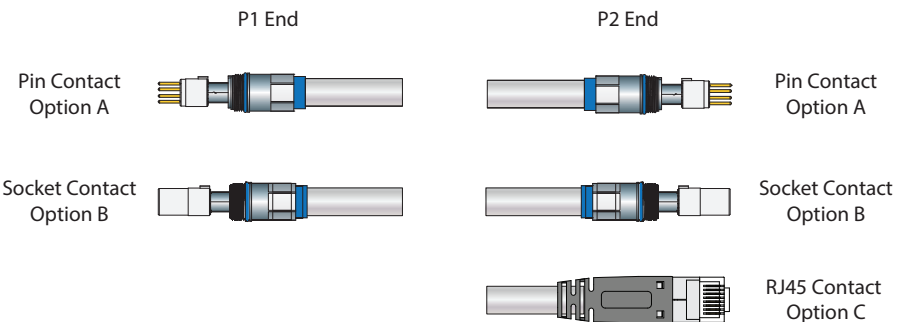
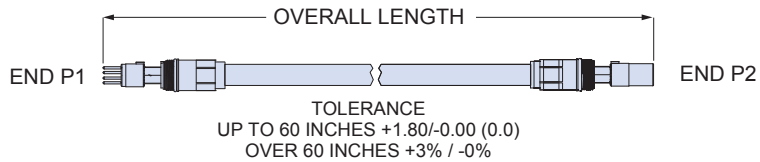
Mating Face of Socket Contacts

Notes

- 100% tested for continuity, DWV and IR.
- Not available in pin to pin or socket to socket configurations..

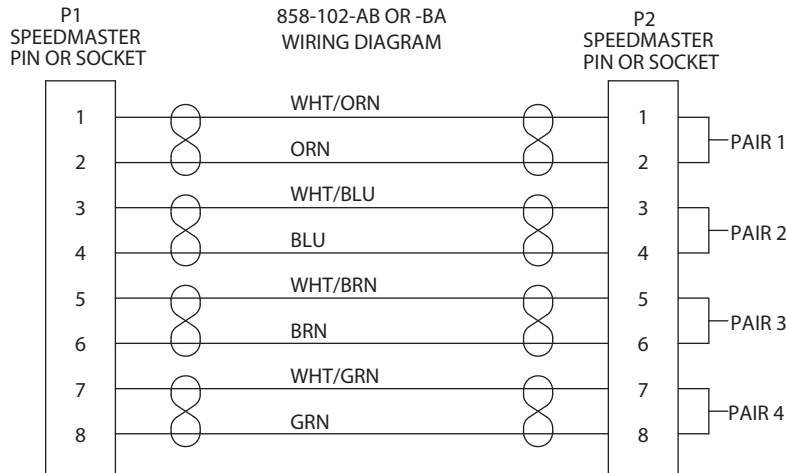
Pre-wired SpeedMaster assemblies are 100% tested and ready for use. For use with Series 23 SuperNine connectors with keyed size #8 cavities, these assemblies are available with three termination options: single-ended SpeedMaster contacts on one end, SpeedMaster contacts on both ends, or SpeedMaster contact on one end and RJ45 plug on the other end.

Part Number Development					
Sample Part Number	8575-0001	-A	C	-1	-12
Product	8575-0001				
End A Contact Type	-A = 858-101-X SpeedMaster pin -B = 858-100-X SpeedMaster socket				
End B Contact/Connector	A = SpeedMaster pin B = SpeedMaster socket C = RJ45 plug N = No connector				
Cable Option	-1 = 963-003-24 -2 = 963-003-26 -4 = 963-037		-5 = 963-033-24 -6 = 963-033-26		
Length	Overall length in inches				

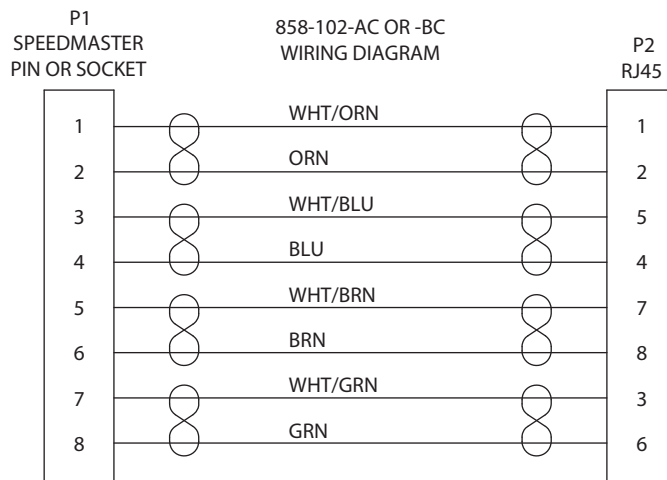


8575-0001 SpeedMaster™ Cat 6A contacts, pre-wired for use in MIL-DTL-38999 Series III type connectors

8575-0001 SPEEDMASTER™ WIRING DIAGRAMS



SPEEDMASTER TO SPEEDMASTER IS 1 TO 1.
MUST BE PIN TO SOCKET OR SOCKET TO PIN
OMIT P2 FOR 858-102-AN OR -BN



SPEEDMASTER PIN OR SOCKET TO RJ45 PLUG