

233-251 Jam-nut mount, bulkhead feed-thru MIL-DTL-38999 Series III Type

Part Number Development													
Sample Part Number	233-251-07					ME	17	-8	P	N	S	N	-02
Series / Basic Part No.	Series 23 SuperNine jam-nut CODE RED hermetic receptacle												
Material/Finish*	ME = Aluminum alloy 6061-T6, electroless nickel												
Shell Size*	Per MIL-DTL-38999 Series III												
Insert Arrangement*	Per MIL-STD-1560												
Contact Style (Panel Side)	P = Pin, gold, 500 cycles S = Socket, gold, 500 cycles												
Polarization* (Panel Side)	A, B, C, D, E, N = Normal; see section A for key position details												
Contact Style (Flange Side)	P = Pin, gold, 500 cycles S = Socket, gold, 500 cycles												
Polarization* (Flange Side)	A, B, C, D, E, N = Normal; see section A for key position details												
Panel Accommodation	02; See panel accommodation table for details												

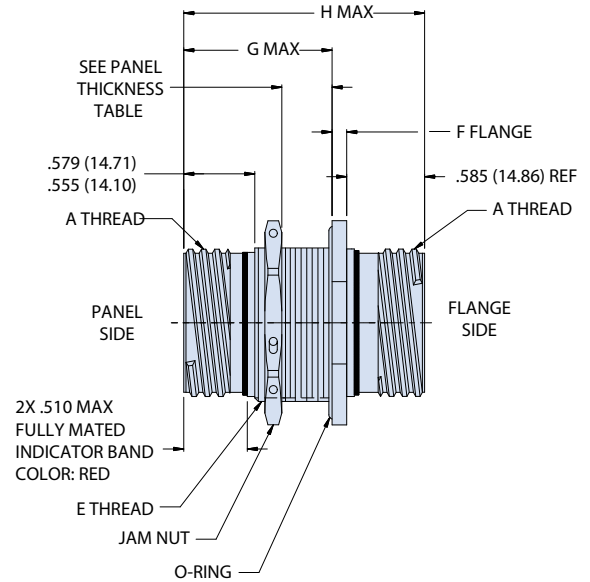
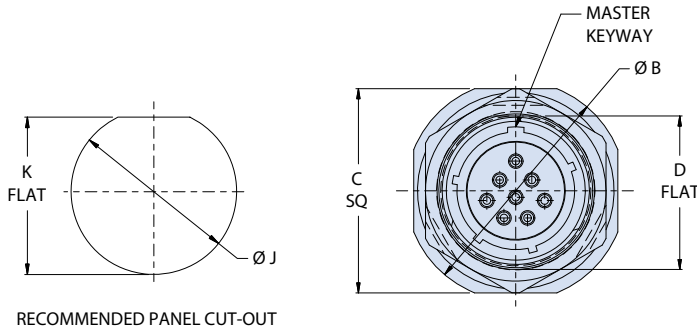
***Refer to Section A for complete details, consult factory for additional options**
Modification codes may be added directly to the end of any valid part number

Dimensions							
Shell Size Code	Shell Size	A Thread 0.1P-0.3L-TS-2A	ØB	C Sq	D Flat	E Thread ISO Metric	F
A	9	.6250	1.200 (30.48) 1.178 (29.92)	1.078 (27.38) 1.048 (26.62)	.654 (16.61) .645 (16.38)	M17 X 1.0-6g	.122 (3.10) .083 (2.11)
B	11	.7500	1.386 (35.20) 1.362 (34.59)	1.268 (32.21) 1.236 (31.39)	.755 (19.18) .745 (18.92)	M20 X 1.0-6g	
C	13	.8750	1.512 (38.40) 1.488 (37.80)	1.390 (35.31) 1.358 (34.49)	.942 (23.93) .932 (23.67)	M25 X 1.0-6g	
D	15	1.0000	1.638 (41.61) 1.614 (41.00)	1.516 (38.51) 1.484 (37.69)	1.066 (27.08) 1.056 (26.82)	M28 X 1.0-6g	
E	17	1.1875	1.764 (44.81) 1.740 (44.20)	1.642 (41.71) 1.610 (40.89)	1.191 (30.25) 1.181 (30.00)	M32 X 1.0-6g	
F	19	1.2500	1.949 (49.50) 1.925 (48.90)	1.827 (46.41) 1.795 (45.59)	1.316 (33.43) 1.306 (33.17)	M35 X 1.0-6g	.153 (3.89) .114 (2.90)
G	21	1.3750	2.075 (52.71) 2.051 (52.10)	1.953 (49.61) 1.921 (48.79)	1.441 (36.60) 1.431 (36.35)	M38 X 1.0-6g	
H	23	1.5000	2.201 (55.91) 2.177 (55.30)	2.079 (52.81) 2.047 (51.99)	1.566 (39.78) 1.556 (39.52)	M41 X 1.0-6g	
J	25	1.6250	2.323 (59.00) 2.299 (58.39)	2.205 (56.01) 2.173 (55.19)	1.691 (42.95) 1.681 (42.70)	M44 X 1.0-6g	

Panel Accommodation			
Sym	Panel Thickness	G Max	H Max
02	.250 (6.35) .062 (1.57)	1.090 (27.69)	1.78 (45.21)

**233-251 Jam-nut mount, bulkhead feed-thru
MIL-DTL-38999 Series III Type**

CODE RED



D

Panel Cut-out Dimensions			
Shell Size Code	Shell Size	ØJ	K Flat
A	9	.703 (17.86)	.661 (16.79)
		.693 (17.60)	.654 (16.61)
B	11	.835 (21.21)	.771 (19.58)
		.825 (20.96)	.761 (19.33)
C	13	1.020 (25.91)	.955 (24.26)
		1.010 (25.65)	.945 (24.00)
D	15	1.145 (29.08)	1.085 (27.56)
		1.135 (28.83)	1.075 (27.30)
E	17	1.270 (32.26)	1.210 (30.73)
		1.260 (32.00)	1.200 (30.48)
F	19	1.395 (35.43)	1.335 (33.91)
		1.385 (35.18)	1.325 (33.65)
G	21	1.520 (38.61)	1.460 (37.08)
		1.510 (38.35)	1.450 (36.83)
H	23	1.645 (41.78)	1.585 (40.26)
		1.635 (41.53)	1.575 (40.00)
J	25	1.770 (44.96)	1.710 (43.43)
		1.760 (44.70)	1.700 (43.18)

NOTES

1. Connector is designed to meet all applicable mechanical dimensional, electrical, and environmental and sealing requirements of MIL-DTL-38999, D38999/23, and MIL-STD-1560 except as shown and/or noted. Insert arrangement in accordance with MIL-STD-1560. Contact manufacturer for available arrangement options
2. For pin/pin configuration, symmetrical layout only, Consult factory for available insert arrangements and for availability of socket/socket configuration
3. Power to a given contact on one end will result in power to a contact directly opposite, regardless of identification letter
4. Electrical safety limits must be established by user. Peak voltage switching surge, transient, etc should be used to determine the safety application
5. Sealing compound employed has been tested and meets applicable requirements of MIL-DTL-38999/23 class N and Y. See Glenair test report GT-16-223

6. Performance

- Operation temperature Range: -65°C to +200°C
- Leak Rate: 1 x 10⁻⁷ cc/s max helium, 1 ATM
- IR: 5,000 megohms min at room temperature per MIL-DTL-38999
- DWV: see service rating per applicable MIL-STD-1560 arrangements
- Dimensions shown comply with applicable MIL-DTL-38999/23

Material/Finish

- Shell and jam-nut: aluminum alloy 6061-T6/nickel plate per D38999 series III, Class F
- Insulators: high grade rigid dielectric/ N.A.
- O-ring and Seals: fluorosilicone/N.A.
- Contacts: copper alloy/gold plated
- sealing compound: silicone base polymer