

233-252 Jam-nut mount, crimp removable contact MIL-DTL-38999 Series III Type

Part Number Development									
Sample Part Number	233-252-07				ME	17	-8	P	N
Series / Basic Part No.	Series 23 SuperNine CODE RED hermetic jam-nut mount receptacle								
Material/Finish*	ME = Aluminum alloy 6061-T6, electroless nickel								
Shell Size*	Per MIL-DTL-38999 Series III								
Insert Arrangement*	Per MIL-STD-1560								
Contact Style	P = Pin, gold, 500 cycles		S = Socket, gold, 500 cycles						
Polarization*	A, B, C, D, E, N = Normal; see section A for key position details								

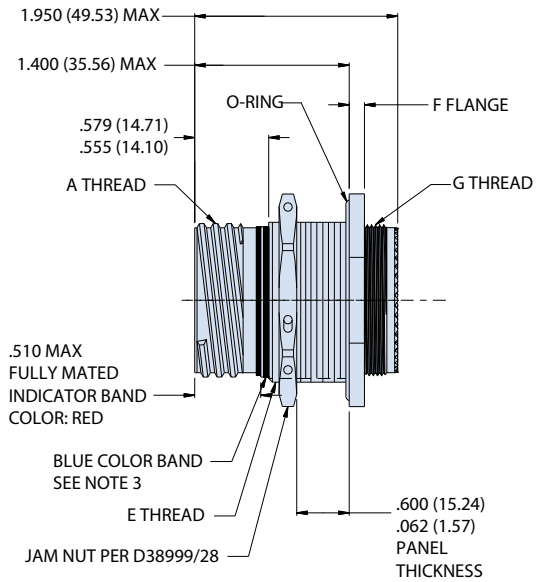
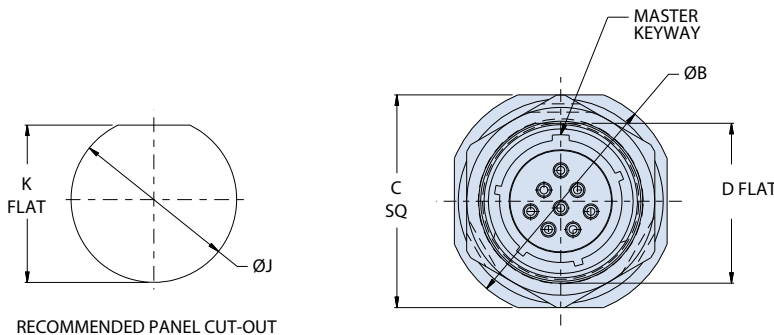
***Refer to Section A for complete details, consult factory for additional options**
Modification codes may be added directly to the end of any valid part number

Dimensions								
Shell Size Code	Shell Size	A Thread 0.1P-0.3L-TS-2A	ØB	C Sq	D Flat	E Thread ISO Metric 1.0-6g 0.100R	F	G Thread ISO Metric
A	9	.6250	1.200 (30.48) 1.178 (29.92)	1.078 (27.38) 1.048 (26.62)	.654 (16.61) .645 (16.38)	M17	.122 (3.10) .083 (2.11)	M12 X 1.0-6g 0.100R
B	11	.7500	1.386 (35.20) 1.362 (34.59)	1.268 (32.21) 1.236 (31.39)	.755 (19.18) .745 (18.92)	M20		M15 X 1.0-6g 0.100R
C	13	.8750	1.512 (38.40) 1.488 (37.80)	1.390 (35.31) 1.358 (34.49)	.942 (23.93) .932 (23.67)	M25		M18 X 1.0-6g 0.100R
D	15	1.0000	1.638 (41.61) 1.614 (41.00)	1.516 (38.51) 1.484 (37.69)	1.066 (27.08) 1.056 (26.82)	M28		M22 X 1.0-6g 0.100R
E	17	1.1875	1.764 (44.81) 1.740 (44.20)	1.642 (41.71) 1.610 (40.89)	1.191 (30.25) 1.181 (30.00)	M32		M25 X 1.0-6g 0.100R
F	19	1.2500	1.949 (49.50) 1.925 (48.90)	1.827 (46.41) 1.795 (45.59)	1.316 (33.43) 1.306 (33.17)	M35	.153 (3.89) .114 (2.90)	M28 X 1.0-6g 0.100R
G	21	1.3750	2.075 (52.71) 2.051 (52.10)	1.953 (49.61) 1.921 (48.79)	1.441 (36.60) 1.431 (36.35)	M38		M31 X 1.0-6g 0.100R
H	23	1.5000	2.201 (55.91) 2.177 (55.30)	2.079 (52.81) 2.047 (51.99)	1.566 (39.78) 1.556 (39.52)	M41		M34 X 1.0-6g 0.100R
J	25	1.6250	2.323 (59.00)	2.205 (56.01)	1.691 (42.95)	M44		M37 X 1.0-6g 0.100R
			2.299 (58.39)	2.173 (55.19)	1.681 (42.70)			

D

233-252 Jam-nut mount, crimp removable contact
MIL-DTL-38999 Series III Type

CODE RED



Supplied Socket Contacts	
Size	Contact P/N
22	AS39029/57-354
20	AS39029/57-357
16	AS39029/57-358

Panel Cut-out Dimensions			
Shell Size Code	Shell Size	ØJ	K Flat
A	9	.703 (17.86)	.661 (16.79)
		.693 (17.60)	.655 (16.64)
B	11	.835 (21.21)	.771 (19.58)
		.825 (20.96)	.761 (19.33)
C	13	1.020 (25.91)	.955 (24.26)
		1.010 (25.65)	.945 (24.00)
D	15	1.145 (29.08)	1.085 (27.56)
		1.135 (28.83)	1.075 (27.30)
E	17	1.270 (32.26)	1.210 (30.73)
		1.260 (32.00)	1.200 (30.48)
F	19	1.395 (35.43)	1.335 (33.91)
		1.385 (35.18)	1.325 (33.65)
G	21	1.520 (38.61)	1.460 (37.08)
		1.510 (38.35)	1.450 (36.83)
H	23	1.645 (41.78)	1.585 (40.26)
		1.635 (41.53)	1.575 (40.00)
J	25	1.770 (44.96)	1.710 (43.43)
		1.760 (44.70)	1.700 (43.18)

NOTES

1. Meets applicable mechanical, dimensional, electrical, environmental and sealing requirements of MIL-DTL-38999, D38999/23, and MIL-STD-1560 except as shown and/or noted.
2. Insert arrangement in accordance with MIL-STD-1560. Contact manufacturer for available arrangement options
3. Blue color band indicates rear release retention system
4. Connector supplied with loose socket contacts (including spares shown in table), insertion/removal tool and sealing plug
5. Sealing compound employed has been tested and meets applicable performance requirements of MIL-DTL-38999/23 See Glenair test report GT-16-223
6. Dimensions shown comply with applicable MIL-DTL-38999/23

7. Performance

- Operation temperature Range: -65°C to +200°C
- Leak Rate: 1 x 10⁻⁷ cc/s max helium, 1 ATM
- IR: 5,000 megohms min at room temperature per MIL-DTL-38999
- DWV: see service rating per applicable MIL-STD-1560 arrangements

Material/Finish

- Shell and jam-nuts: aluminum alloy 6061-T6/nickel plate per D38999 series III, Class F
- Insulators: high grade rigid dielectric/ N.A.
- O-ring and seals: fluorosilicone/N.A.
- Contacts: copper alloy/gold plated
- Sealing compound: silicone base polymer