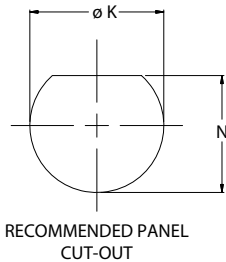


233-266 Receptacle with accessory thread or banding porch MIL-DTL-38999 Series III

Part Number Development									
Sample Part Number	233-266				-H7	Z1	9-35	P	N
Series / Basic Part No.	Series 23 SuperNine Hermetic								
Connector Style	H7 = Jam-Nut Mount with Accessory Thread 07 = Jam-Nut Mount with Single Band, Banding Porch								
Finish*	Z1 = CRES, Passivated ZL = CRES, Nickel Finish								
Shell Size/Insert Arrangement*	Per MIL-DTL-38999/MIL-STD-1560								
Contact Style	P = Pin, Solder Cup X = Pin, Eyelet S = Socket, Solder Cup Z = Socket, Eyelet								
Polarization*	A, B, C, D, E, N = Normal								

***Refer to Section A for complete details, consult factory for additional options**
Modification codes may be added directly to the end of any valid part number



Jam-Nut Panel Cut-Out Dimensions			
SHELL SIZE CODE	SHELL SIZE	K DIA	N
A	9	.703 (17.86)	.661 (16.79)
		.693 (17.60)	.655 (16.64)
B	11	.835 (21.21)	.771 (19.58)
		.825 (20.96)	.761 (19.33)
C	13	1.020 (25.91)	.955 (24.26)
		1.010 (25.65)	.945 (24.00)
D	15	1.145 (29.08)	1.085 (27.56)
		1.135 (28.83)	1.075 (27.30)
E	17	1.270 (32.26)	1.210 (30.73)
		1.260 (32.00)	1.200 (30.48)
F	19	1.395 (35.43)	1.335 (33.91)
		1.385 (35.18)	1.325 (33.65)
G	21	1.520 (38.61)	1.460 (37.08)
		1.510 (38.35)	1.450 (36.83)
H	23	1.645 (41.78)	1.585 (40.26)
		1.635 (41.53)	1.575 (40.00)
J	25	1.770 (44.96)	1.710 (43.43)
		1.760 (44.70)	1.700 (43.18)

Band Platform Dimensions			
SHELL SIZE CODE	SHELL SIZE	øFF	øGG
A	9	.475 (12.07)	.538 (13.67)
B	11	.600 (15.24)	.662 (16.81)
C	13	.700 (17.78)	.762 (19.35)
D	15	.835 (21.21)	.898 (22.81)
E	17	.960 (24.38)	1.022 (25.96)
F	19	1.062 (26.97)	1.125 (28.58)
G	21	1.188 (30.18)	1.250 (31.75)
H	23	1.275 (32.39)	1.338 (33.99)
J	25	1.475 (37.47)	1.538 (39.07)

Material/finish:

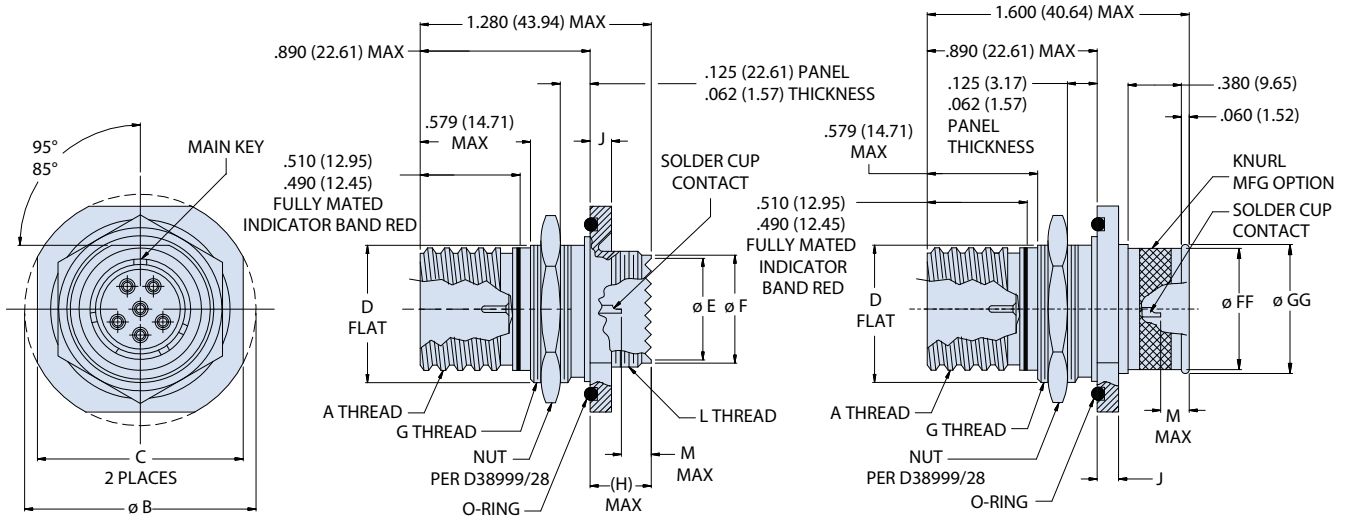
- Shell and jam-nut: 300 series CRES per part number development
- Contacts: nickel iron alloy 52/gold plated
- Insulator, hermetic: fused vitreous glass/N.A.
- Insulator, socket: high grade rigid dielectric/N.A.
- O-ring and Seals: fluorosilicone/N.A

NOTES

1. Hermeticity: 1×10^{-7} ccHe/sec @ 1 ATM, delta pressure
2. Glenair 233-266-H7 and 233-266-07 receptacle connector is designed to mate with any QPL manufacturer's MIL-DTL-38999 series III plug connector having the same insert arrangement, polarization, and opposite contact gender.

233-266 Receptacle with accessory thread or banding porch MIL-DTL-38999 Series III

233-266-H7 JAM-NUT RECEPTACLE



H7 - JAM NUT WITH ACCESSORY THREADS

07 - JAM NUT WITH SINGLE BAND

Dimensions											
SHELL SIZE CODE/ SHELL SIZE REF	A THREAD -0.1P-0.03L-TS	B DIA	C A/F	D FLAT	E DIA MAX	F DIA	ISO METRIC	H MAX	J	L THREAD ISO METRIC	M MAX
a/9	.6250	1.200 (30.48) 1.177 (29.90)	1.078 (27.38) 1.047 (26.59)	.654 (16.61) .645 (16.38)	.346 (8.79)	.416 (10.57) .410 (10.41)	M17 X 1-6g 0.100R	.390 (9.91)	.122 (3.10) .083 (2.11)	M12 X 1-6g 0.100R	.200 (5.08)
11/B	.7500	1.385 (35.18) 1.362 (34.59)	1.267 (32.18) 1.236 (31.39)	.754 (19.15) .745 (18.92)	.475 (12.07)	.534 (13.56) .528 (13.41)	M20 X 1-6g 0.100R	.390 (9.91)		M15 X 1-6g 0.100R	.200 (5.08)
13/C	.8750	1.511 (38.38) 1.488 (37.80)	1.390 (35.31) 1.358 (34.49)	.941 (23.90) .932 (23.67)	.589 (14.96)	.653 (16.59) .647 (16.43)	M25 X 1-6g 0.100R	.390 (9.91)		M18 X 1-6g 0.100R	.200 (5.08)
15/D	1.0000	1.637 (41.58) 1.614 (41.00)	1.515 (38.48) 1.484 (37.69)	1.065 (27.05) 1.056 (26.82)	.714 (18.14)	.810 (20.57) .804 (20.42)	M28 X 1-6g 0.100R	.390 (9.91)		M22 X 1-6g 0.100R	.200 (5.08)
17/E	1.1875	1.763 (44.78) 1.740 (44.20)	1.641 (41.68) 1.610 (40.89)	1.190 (30.23) 1.181 (30.00)	.839 (21.31)	.928 (23.57) .922 (23.42)	M32 X 1-6g 0.100R	.390 (9.91)		M25 X 1-6g 0.100R	.200 (5.08)
19/F	1.2500	1.949 (49.50) 1.925 (48.90)	1.826 (46.38) 1.795 (45.59)	1.315 (33.40) 1.306 (33.17)	.945 (24.00)	1.046 (26.57) 1.040 (26.42)	M35 X 1-6g 0.100R	.390 (9.91)		M28 X 1-6g 0.100R	.200 (5.08)
21/G	1.3750	2.075 (52.71) 2.051 (52.10)	1.952 (49.58) 1.921 (48.79)	1.440 (36.58) 1.431 (36.35)	1.070 (27.18)	1.164 (29.57) 1.158 (29.41)	M38 X 1-6g 0.100R	.390 (9.91)	.153 (3.89)	M31 X 1-6g 0.100R	.200 (5.08)
23H	1.5000	2.200 (55.88) 2.177 (55.30)	2.078 (52.78) 2.047 (51.99)	1.565 (39.75) 1.556 (39.52)	1.194 (30.33)	1.282 (32.56) 1.276 (32.41)	M41 X 1-6g 0.100R	.390 (9.91)	.114 (2.90)	M34 X 1-6g 0.100R	.200 (5.08)
25/J	1.6250	2.323 (59.00) 2.299 (58.39)	2.204 (55.98) 2.173 (55.19)	1.690 (42.93) 1.681 (42.70)	1.320 (33.53)	1.400 (35.56) 1.394 (35.41)	M44 X 1-6g 0.100R	.390 (9.91)		M37 X 1-6g 0.100R	.200 (5.08)