

233-267 PC tail receptacles with threaded stand-off MIL-DTL-38999 Series III

Part Number Development					
Sample Part Number	233-267	-H7	ZL	9-35	C N
Series / Basic Part No.	Series 23 SuperNine Hermetic				
Connector Style	H7 = Jam-Nut Mount DH7 = Dual O-ring, Jam-Nut Mount H2 = Box Mount				
Finish*	Z1 = CRES, Passivated ZL = CRES, Nickel Finish				
Shell Size/Insert Arrangement*	Per MIL-DTL-38999/MIL-STD-1560				
Contact Configuration	C = Pin, Feed-thru D = Socket, Feed-thru				
Polarization*	A, B, C, D, E, N = Normal				

***Refer to Section A for complete details, consult factory for additional options**
Modification codes may be added directly to the end of any valid part number

Material/finish:

- Shell and jam-nut (H7 and DH7): 300 series CRES/per part number development
- Contacts, pin: nickel iron alloy/gold plated
- Contacts, socket: copper alloy/gold plated
- Insulator, pins: vitreous glass/N.A.
- Insulator socket: high grade rigid dielectric/N.A.
- Seals: fluorosilicone blend/N.A.
- O-ring (jam-nut only): silver plated aluminum in fluorosilicone (cho-seal 1298 or equivalent)

Test Requirements

DWV Voltage Levels at Sea Level	
Service rating	Voltage AC RMS 60HZ
M	1300 VAC
I	1800 VAC
II	2300 VAC
N	1000 VAC

I.R. - 5 Gigohms min. @ 500 VDC

Hermeticity - <1 x 10⁻⁷ ccHe/sec @ 1 ATM, delta pressure

PC Tail Diameter	
Contact Size	PC Tail ØL
No 23	.020 (0.51) .018 (0.46)
No 22	.020 (0.51) .018 (0.46)
No 20	.030 (0.76) .028 (0.71)
No 16	.040 (1.02) .038 (0.97)
No 12	.072 (1.83) .070 (1.78)

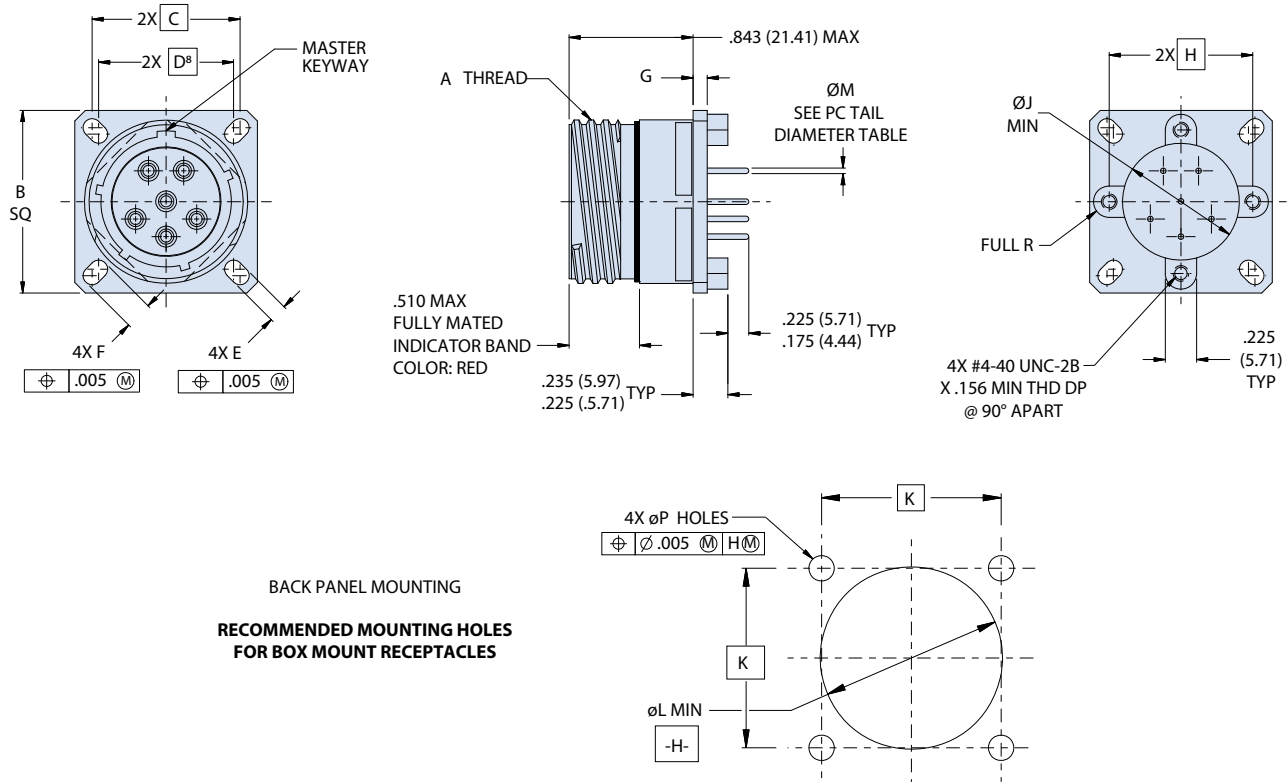
NOTES

1. Glenair 233-267-DH7, H7 and H2 receptacle connectors are designed to meet or exceed the mechanical and dimensional requirements of MIL-DTL-38999, D38999/23, D38999/21 and MIL-STD1560 except as shown and/or noted. Receptacle mates with any QPL manufacturer's MIL-DTL-38999, series III plug connector, D38999/26, having the same shell size, insert arrangement and polarization

Box Mount, Mounting Hole Dimensions				
SHELL SIZE CODE	SHELL SIZE	K BSC	Ø L MIN	Ø P HOLES
A	9	.719 (18.26)	.656 (16.66)	.133 (3.38) .123 (3.12)
B	11	.812 (20.62)	.781 (19.84)	
C	13	.906 (23.01)	.921 (23.39)	
D	15	.969 (24.61)	1.047 (26.59)	
E	17	1.062 (26.97)	1.218 (30.94)	
F	19	1.156 (29.36)	1.296 (32.92)	
G	21	1.250 (31.75)	1.421 (36.09)	
H	23	1.375 (34.92)	1.546 (39.27)	
J	25	1.500 (38.10)	1.672 (42.47)	.159 (4.04) .149 (3.78)

233-267 PC tail receptacles with threaded stand-off MIL-DTL-38999 Series III

233-267-H2 BOX MOUNT RECEPTACLE



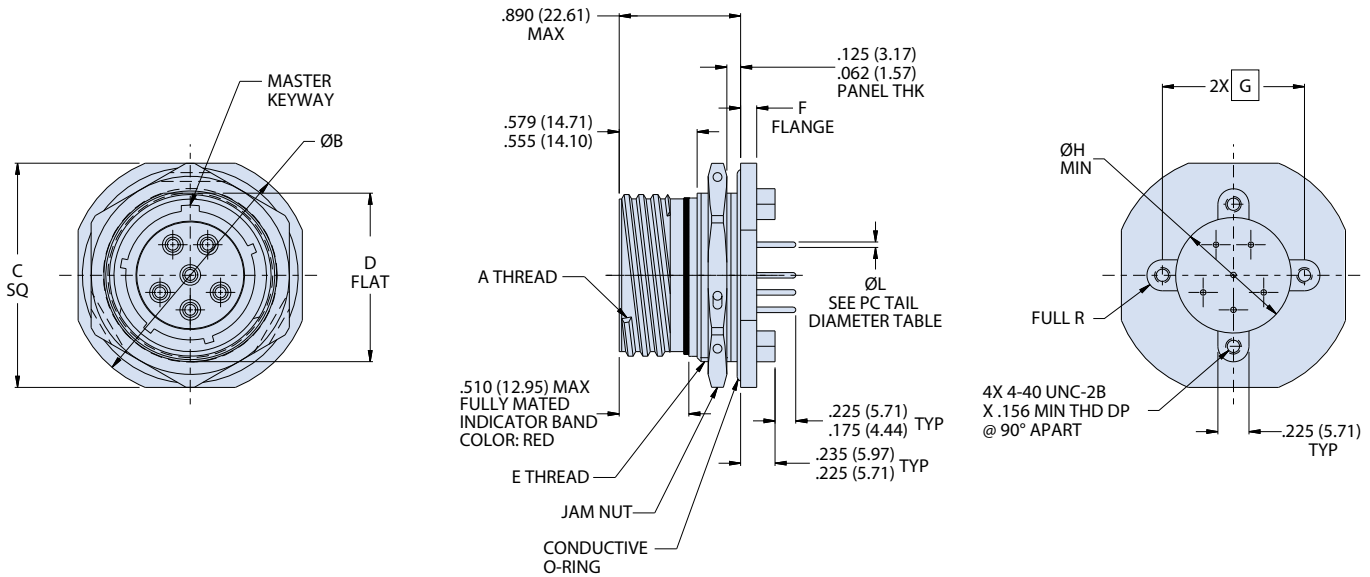
BACK PANEL MOUNTING
**RECOMMENDED MOUNTING HOLES
FOR BOX MOUNT RECEPTACLES**



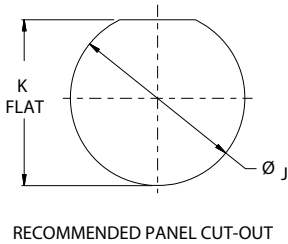
Dimensions											
SHELL SIZE CODE	SHELL SIZE	A THREAD 0.1P-0.3L-TS-2A	B SQ	C BSC	D BSC	E	F	G	H BSC	ØJ MIN	
A	9	.6250	.948 (24.08) .925 (23.50)	.719 (18.26)	.594 (15.09)	.136 (3.45) .120 (3.05)	.224 (5.69) .208 (5.28)	.102 (2.59) .075 (1.90)	.594 (15.09)	.340 (8.64)	
B	11	.7500	1.043 (26.49) 1.019 (25.88)	.812 (20.62)	.719 (18.26)		.202 (5.13) .186 (4.72)		.719 (18.26)	.468 (11.89)	
C	13	.8750	1.137 (28.88) 1.114 (28.30)	.906 (23.01)	.812 (20.62)		.181 (4.60) .165 (4.19)		.812 (20.62)	.572 (14.53)	
D	15	1.0000	1.232 (31.29) 1.208 (30.68)	.969 (24.61)	.906 (23.01)		.202 (5.13) .186 (4.72)		.906 (23.01)	.705 (17.91)	
E	17	1.1875	1.323 (33.60) 1.299 (32.99)	1.062 (26.97)	.969 (24.61)		.162 (4.11) .146 (3.71)		.202 (5.13) .186 (4.72)	1.030 (26.16)	.830 (21.08)
F	19	1.2500	1.449 (36.80) 1.425 (36.20)	1.156 (29.36)	1.062 (26.97)		.250 (6.35) .234 (5.94)		.202 (5.13) .186 (4.72)	1.150 (29.21)	.934 (23.72)
G	21	1.3750	1.575 (40.00) 1.551 (39.40)	1.250 (31.75)	1.156 (29.36)					1.221 (31.01)	1.055 (26.80)
H	23	1.5000	1.701 (43.21) 1.677 (42.60)	1.375 (34.92)	1.250 (31.75)					1.360 (34.54)	1.160 (29.46)
J	25	1.6250	1.823 (46.30) 1.799 (45.69)	1.500 (38.10)	1.375 (34.92)					1.475 (37.47)	1.307 (33.20)

**233-267 PC tail receptacles with threaded stand-off
MIL-DTL-38999 Series III**

**233-267-H7 JAM-NUT RECEPTACLE AND
233-267-DH7 DUAL O-RING JAM-NUT RECEPTACLE**



D



Jam-Nut and Dual O-ring Jam-Nut Panel Cut-Out Dimensions			
SHELL SIZE CODE	SHELL SIZE	ØJ	K FLAT
A	9	.703 (17.86)	.661 (16.79)
		.693 (17.60)	.655 (16.64)
B	11	.835 (21.21)	.771 (19.58)
		.825 (20.96)	.761 (19.33)
C	13	1.020 (25.91)	.955 (24.26)
		1.010 (25.65)	.945 (24.00)
D	15	1.145 (29.08)	1.085 (27.56)
		1.135 (28.83)	1.075 (27.30)
E	17	1.270 (32.26)	1.210 (30.73)
		1.260 (32.00)	1.200 (30.48)
F	19	1.395 (35.43)	1.335 (33.91)
		1.385 (35.18)	1.325 (33.65)
G	21	1.520 (38.61)	1.460 (37.08)
		1.510 (38.35)	1.450 (36.83)
H	23	1.645 (41.78)	1.585 (40.26)
		1.635 (41.53)	1.575 (40.00)
J	25	1.770 (44.96)	1.710 (43.43)
		1.760 (44.70)	1.700 (43.18)

233-267 PC tail receptacles with threaded stand-off MIL-DTL-38999 Series III

233-267-H7 JAM-NUT RECEPTACLE

Dimensions									
SHELL SIZE CODE	SHELL SIZE	A THREAD .1P-.3L-TS-2A	ØB	C SQ	D FLAT	E THREAD ISO METRIC	F	G BSC	ØH MIN
A	9	.6250	1.200 (30.48) 1.178 (29.92)	1.078 (27.38) 1.048 (26.62)	.654 (16.61) .645 (16.38)	M17 X 1.0-6g	.122 (3.10) .083 (2.11)	.594 (15.09)	.340 (8.64)
B	11	.7500	1.386 (35.20) 1.362 (34.59)	1.268 (32.21) 1.236 (31.39)	.755 (19.18) .745 (18.92)	M20 X 1.0-6g		.719 (18.26)	.468 (11.89)
C	13	.8750	1.512 (38.40) 1.488 (37.80)	1.390 (35.31) 1.358 (34.49)	.942 (23.93) .932 (23.67)	M25 X 1.0-6g		.812 (20.62)	.572 (14.53)
D	15	1.0000	1.638 (41.61) 1.614 (41.00)	1.516 (38.51) 1.484 (37.69)	1.066 (27.08) 1.056 (26.82)	M28 X 1.0-6g		.906 (23.01)	.705 (17.91)
E	17	1.1875	1.764 (44.81) 1.740 (44.20)	1.642 (41.71) 1.610 (40.89)	1.191 (30.25) 1.181 (30.00)	M32 X 1.0-6g		1.030 (26.16)	.830 (21.08)
F	19	1.2500	1.949 (49.50) 1.925 (48.90)	1.827 (46.41) 1.795 (45.59)	1.316 (33.43) 1.306 (33.17)	M35 X 1.0-6g	.153 (3.89) .114 (2.90)	1.150 (29.21)	.934 (23.72)
G	21	1.3750	2.075 (52.71) 2.051 (52.10)	1.953 (49.61) 1.921 (48.79)	1.441 (36.60) 1.431 (36.35)	M38 X 1.0-6g		1.221 (31.01)	1.055 (26.80)
H	23	1.5000	2.201 (55.91) 2.177 (55.30)	2.079 (52.81) 2.047 (51.99)	1.566 (39.78) 1.556 (39.52)	M41 X 1.0-6g		1.360 (34.54)	1.160 (29.46)
J	25	1.6250	2.323 (59.00) 2.299 (58.39)	2.205 (56.01) 2.173 (55.19)	1.691 (42.95) 1.681 (42.70)	M44 X 1.0-6g		1.475 (37.47)	1.307 (33.20)

233-267-DH7 DUAL O-RING JAM-NUT RECEPTACLE

Dimensions									
SHELL SIZE CODE	SHELL SIZE	A THREAD .1P-.3L-TS-2A	ØB	C SQ	D FLAT	E THREAD ISO METRIC	F	G BSC	ØH MIN
A	9	.6250 -	1.500 (38.10)	1.375 (34.92)	.654 (16.61) .645 (16.38)	M17 X 1.0-6g	.122 (3.10) .083 (2.11)	.594 (15.09)	.340 (8.64)
B	11	.7500	1.625 (41.28)	1.500 (38.10)	.755 (19.18) .745 (18.92)	M20 X 1.0-6g		.719 (18.26)	.468 (11.89)
C	13	.8750	1.752 (44.50)	1.626 (41.30)	.942 (23.93) .932 (23.67)	M25 X 1.0-6g		.812 (20.62)	.572 (14.53)
D	15	1.0000	1.937 (49.20)	1.811 (46.00)	1.066 (27.08) 1.056 (26.82)	M28 X 1.0-6g		.906 (23.01)	.705 (17.91)
E	17	1.1875	2.063 (52.40)	1.937 (49.20)	1.191 (30.25) 1.181 (30.00)	M32 X 1.0-6g		1.030 (26.16)	.830 (21.08)
F	19	1.2500	2.189 (55.60)	2.063 (52.40)	1.316 (33.43) 1.306 (33.17)	M35 X 1.0-6g	.153 (3.89) .114 (2.90)	1.150 (29.21)	.934 (23.72)
G	21	1.3750	2.311 (58.70)	2.189 (55.60)	1.441 (36.60) 1.431 (36.35)	M38 X 1.0-6g		1.221 (31.01)	1.055 (26.80)
H	23	1.5000	2.500 (63.50)	2.300 (58.42)	1.566 (39.78) 1.556 (39.52)	M41 X 1.0-6g		1.360 (34.54)	1.160 (29.46)
J	25	1.6250	2.625 (66.68)	2.400 (60.96)	1.691 (42.95) 1.681 (42.70)	M44 X 1.0-6g		1.475 (37.47)	1.307 (33.20)

