

SuperNine® RJ45 CAT 5e

MIL-DTL-38999 Series III Type connectors

233-303 Receptacle with solder cups



RJ45 CAT 5E AND 6A CONNECTORS



Part Number Development								
Sample Part Number	233-303	NF	00	G	17	5H	N	1
Basic Number	233-303							
Finish	See Material and Finish table							
Connector Style ¹	See Connector Style table							
Insert-to-Shell Grounding	- = Inline shielded RJ45 insert G = Shielded and grounded to shell ²							
Shell Size	17 or 19							
RJ45 Category	5H = CAT 5e For Cat 6A applications consult factory							
Alternate Key Position ¹	Per MIL-DTL-38999 A, B, C, D, E, N = Normal							
RJ45 Orientation	1, 2, 3, or 4							

RJ45 ORIENTATION OPTIONS



Jam Nut Dimensions								
Shell Size	Ø J		K		L Flat		M	
	in	mm	in	mm	in	mm	in	mm
17	1.764	44.81	1.642	41.71	1.191	30.25	.122	3.10
	1.740	44.20	1.610	40.89	1.181	30.00	.083	2.11
19	1.949	49.50	1.827	46.41	1.316	33.43	.153	3.89
	1.925	48.90	1.795	45.59	1.306	33.17	.114	2.90

Material and Finish	
NF	Aluminum/Cadmium Olive Drab
ME	Aluminum/Electroless Nickel
MT	Aluminum/Nickel PTFE
ZR	Aluminum/Black Zinc-Nickel

Wall Mount Receptacle Dimensions												
Shell Size	B Sq		C Bsc		D Bsc		E		F		Ø G Holes	
	In	mm	In	mm	In	mm	In	mm	In	mm	In	mm
17	1.323	33.60	1.062	26.97	.969	24.61	.136	3.45	.202	5.13	0.136	3.45
	1.299	32.99										
19	1.449	36.80	1.156	29.36	1.062	26.97	.120	3.05	.186	4.72	0.120	3.05
	1.425	36.20										

Connector Style	
00	Wall mount receptacle with slotted holes
07	rear panel mount, jam nut receptacle
D0	Wall mount receptacle with round holes
CM	Wall mount receptacle with metric clinch nuts

NOTES

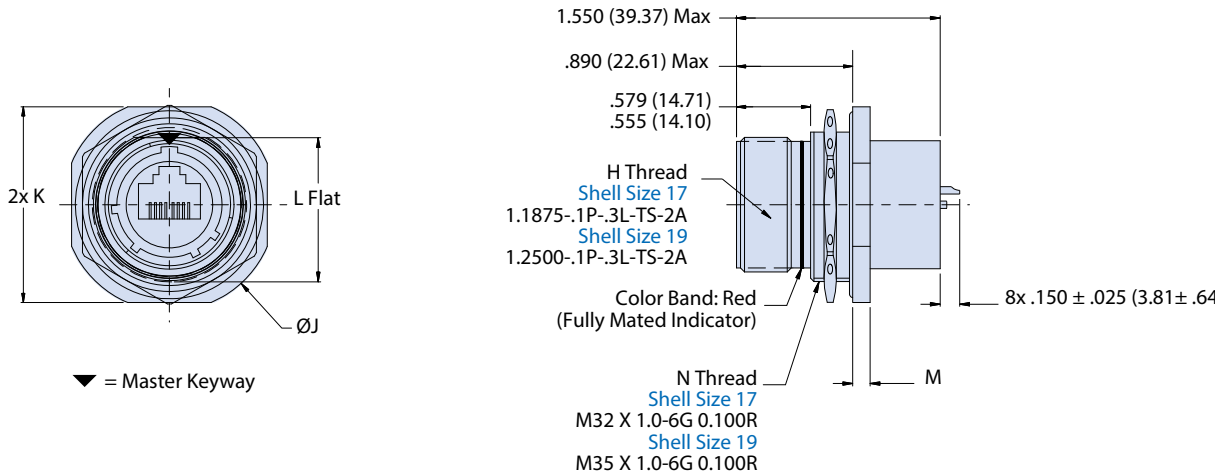
- See Section A for alternate key/keyway positions and panel cutout dimensions
- G option is inline shielded and grounded to shell, available for receptacle only
- Front panel mount only
- Meets IP67 in unmated condition, IP68 mated
- Receptacle connector has RJ45 jack
- Materials and finishes
 - Shell, jam nut: Al alloy/optional
 - Seals: Silicone based elastomer
 - RJ45 coupler housing: UL94V-0 compliant ABS or PPS
 - Contacts: Copper alloy, gold plated
 - Hardware: Stainless steel/passivated

All external dimensions, features, etc. compliant with D38999/20, /24, &/26. Consult factory for additional information.

SuperNine® RJ45 CAT 5e MIL-DTL-38999 Series III Type connectors 233-303 Receptacle with solder cups

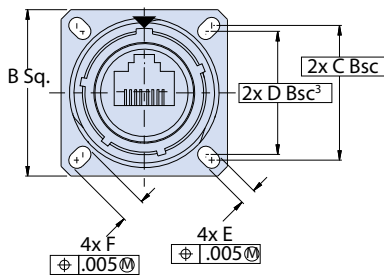


07 - REAR PANEL MOUNT, JAM NUT RECEPTACLE

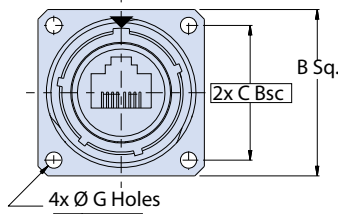


00, D0 AND CM - WALL MOUNT RECEPTACLES

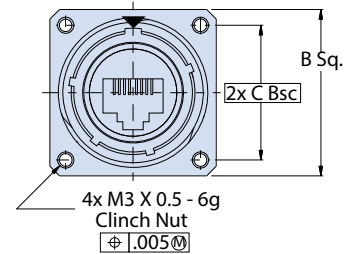
00 - Wall Mount Receptacle with Slotted Holes (Mating Face)



D0 - Wall Mount Receptacle with Round Holes (Mating Face)

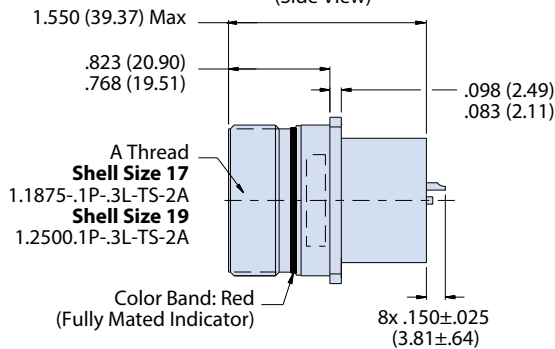


CM - Wall Mount Receptacle with Metric Clinch Nuts (Mating Face)



▼ = Master Keyway

00 and D0 - Wall Mount Receptacle (Side View)



00 and D0 - Wall Mount Receptacle (Side View)

