

# SuperNine® RJ45 CAT 5e



## MIL-DTL-38999 Series III Type connectors

### 233-304 Plug and receptacle adapter with accessory thread

RJ45 CAT 5E AND 6A CONNECTORS

Part Number Development										
<b>Sample Part Number</b>	<b>233-304</b>	<b>NF</b>	<b>00</b>	<b>17</b>	<b>G</b>	<b>35</b>	<b>P</b>	<b>5H</b>	<b>N</b>	<b>T</b>
<b>Basic Number</b>	<b>233-304</b>									
<b>Finish</b>	See Material and Finish table									
<b>Connector Style<sup>1</sup></b>	See Connector Style table									
<b>Shell Size</b>	17 <sup>6</sup> consult factory for other shell sizes									
<b>Insert-to-Shell Grounding<sup>2</sup></b>	- = Inline shielded RJ45 insert G = Shielded and grounded to shell									
<b>Insert Arrangement</b>	Per MIL-STD-1560; 17-26 or 17-35 <sup>6</sup>									
<b>Contact Style</b>	P = Pin S = Socket									
<b>RJ45 Category</b>	5H = CAT 5e For Cat 6A applications consult factory									
<b>Alternate Key Position<sup>1</sup></b>	Per MIL-DTL-38999 A, B, C, D, E, N = Normal									
<b>Shrink Boot</b>	T = Part No. 770-028 (Omit for None)									

#### NOTES

1. See Section A for alternate key/keyway positions and panel cutout dimensions
2. G option is inline shielded and grounded to shell, available for receptacle only
3. Connector style 00 with slotted hole is front panel mount only
4. Meets IP67 in unmated condition, IP68 mated
5. Both plug and receptacle connectors have rear RJ45 jack
6. Consult factory for alternate insert arrangements

Material and Finish	
<b>NF</b>	Aluminum/Cadmium Olive Drab
<b>ME</b>	Aluminum/Electroless Nickel
<b>MT</b>	Aluminum/Nickel PTFE
<b>ZR</b>	Aluminum/Black Zinc-Nickel

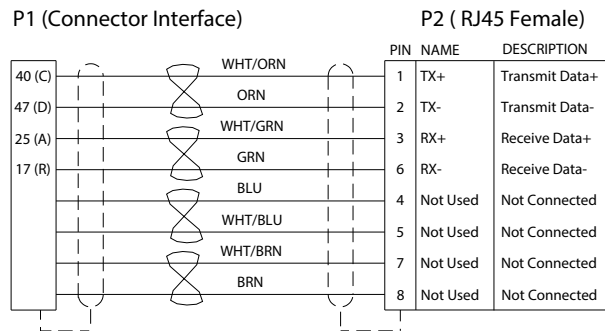
Connector Style <sup>1</sup>	
<b>00</b>	Wall mount receptacle with slotted holes <sup>3</sup>
<b>05</b>	Inline Receptacle
<b>07</b>	rear panel mount, jam nut receptacle
<b>D0</b>	Wall mount receptacle with round holes
<b>G6</b>	plug
<b>CM</b>	Wall mount receptacle with metric clinch nuts

Thread Dimensions			
Shell Size	A Thread	G Thread	N Thread
<b>17</b>	1.1875-.1P-.3L-TS-2A	M25 x 1.0-6g 0.100R	M32 x 1.0-6g 0.100R
<b>19</b>	1.2500-.1P-.3L-TS-2A	M28x 1.0-6g 0.100R	M35 x 1.0-6g 0.100R

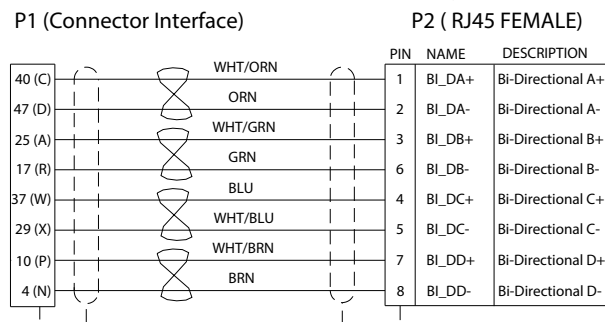
Wall Mount Receptacle Dimensions												
Shell Size	B Sq		C BSC		D BSC		E		F		Ø H Holes	
	in	mm	in	mm	in	mm	in	mm	in	mm	in	mm
<b>17</b>	1.323	33.60	1.062	26.97	.969	24.61	.136	3.45	.202	5.13	.136	3.45
	1.299	32.99					.120	3.05	.186	4.72	.120	3.05
<b>19</b>	1.449	36.80	1.156	29.36	1.062	26.97						
	1.425	36.20										

Jam Nut and Inline Dimensions										
Shell Size	Ø K		L		M Flat		R		S	
	in	mm	in	mm	in	mm	in	mm	in	mm
<b>17</b>	1.764	44.81	1.642	41.71	1.191	30.25	.122	3.10	1.406	35.71
	1.740	44.20	1.610	40.89	1.181	30.00	.083	2.11		
<b>19</b>	1.949	49.50	1.827	46.41	1.316	33.43	.153	3.89	1.516	38.51
	1.925	48.90	1.795	45.59	1.306	33.17	.114	2.90		

#### Wiring Diagram for Ethernet 10base-T & 100 Base-TX 17-35 or (17-26 in parenthesis) Arrangement



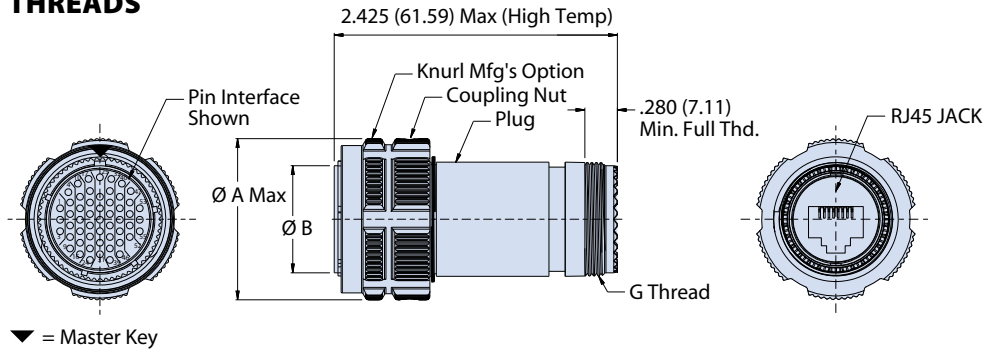
#### Wiring Diagram for Ethernet 1000base-T (Gigabit Ethernet) 17-35 or (17-26 in parenthesis) Arrangement



#### Color Codes Per EIA/TIA 568B

#### G6 - PLUG WITH ACCESSORY THREADS

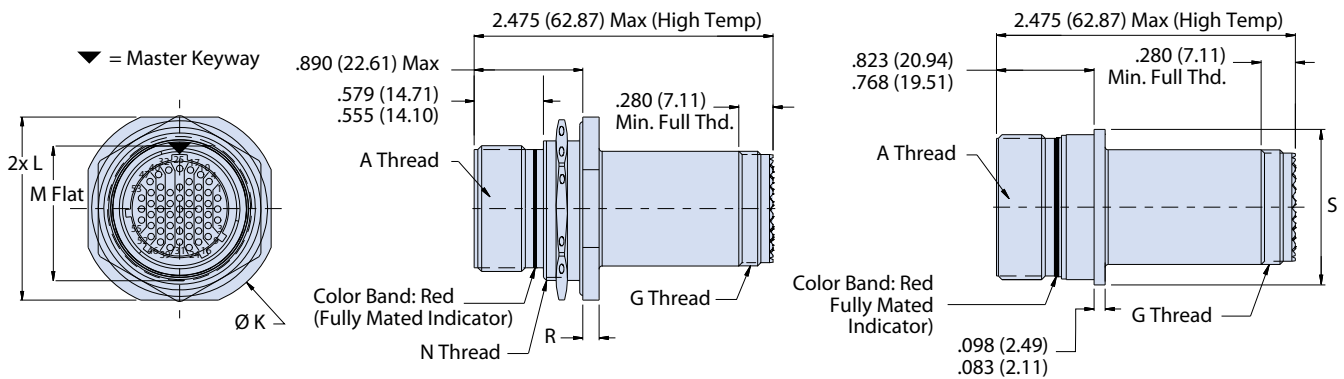
Plug Dimensions				
Shell Size	Ø A		Ø B	
	in	mm	in	mm
17	1.406	35.71	.928 .922	23.57 23.42
19	1.516	38.51	1.033 1.027	26.24 26.09



#### 07 - REAR PANEL MOUNT, JAM NUT AND 05 - INLINE RECEPTACLE WITH ACCESSORY THREADS

Jam Nut Receptacle

Inline Receptacle (side view only)

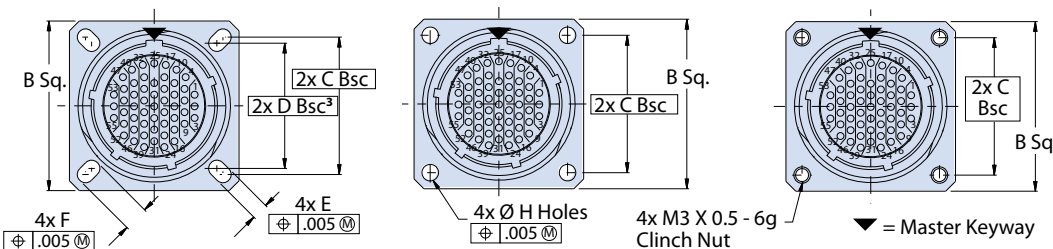


#### 00, D0 AND CM - WALL MOUNT RECEPTACLES WITH ACCESSORY THREADS

00 - Wall Mount Receptacle with Slotted Holes (Mating Face)

D0 - Wall Mount Receptacle With Round Holes (Mating Face)

CM - Wall Mount Receptacle With Metric Clinch Nuts (Mating Face)



*All external dimensions, features, etc. compliant with D38999/20, /24, &/26. Consult factory for additional information.*

