

# SuperNine® USB 2.0 type A



## MIL-DTL-38999 Series III Type connectors

### 233-370 Feed-thru receptacle with front/rear USB interface

USB 2.0 AND 3.0 CONNECTORS



**Feed-Thru Front View**

Part Number Development									
<b>Sample Part Number</b>	<b>233-370</b>	<b>NF</b>	<b>00</b>	<b>-17</b>	<b>2</b>	<b>A</b>	<b>A</b>	<b>N</b>	<b>H</b>
<b>Basic Number</b>	<b>233-370</b>								
<b>Finish</b>	See Material and Finish table								
<b>Connector Style<sup>1</sup></b>	See Connector Style table								
<b>Shell Size</b>	<b>15</b> or <b>17</b>								
<b>USB Performance</b>	<b>2</b> = USB 2.0								
<b>USB Front Interface</b>	<b>A</b> = Type A								
<b>USB Rear Interface</b>	<b>A</b> = Type A								
<b>Alternate Polarization<sup>1</sup></b>	<b>A, B, C, D, E, N</b> = Normal								
<b>USB Orientation</b>	<b>H</b> = Horizontal <b>V</b> = Vertical								

Material and Finish	
<b>NF</b>	Aluminum/cadmium, olive drab
<b>M</b>	Aluminum/electroless nickel
<b>MT</b>	Alumimun/nickel PTFE
<b>ZR</b>	Aluminum/black zinc-nickel

Connector Style	
<b>07</b>	Rear panel mount, jam nut receptacle
<b>00</b>	Wall mount receptacle with slotted holes <sup>2</sup>
<b>DO</b>	Wall mount receptacle with round holes
<b>CM</b>	Wall mount receptacle with metric clinch nuts

USB 2.0 Wiring				
Pin	Name	Cable Color (USB)	Description	Recommended Wire Sizes (AWG)
1	(V Bus)	Red	+5 V	22
2	(D-)	White	Data -	28
3	(D+)	Green	Data +	28
4	(GND)	Black	Ground	22

**USB Receptacle Orientation Options (Partial Views Shown)**



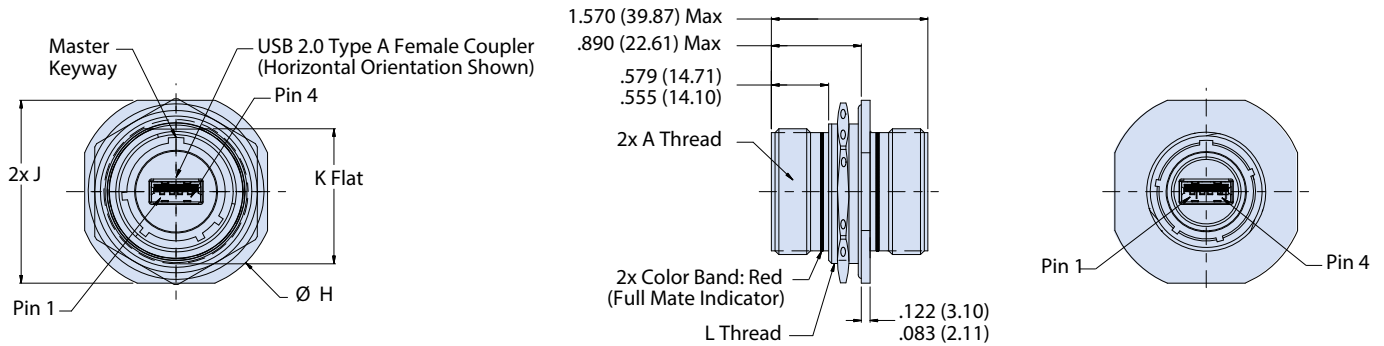
**NOTES**

- See Section A for alternate key/keyway positions and panel cutout dimensions
- Front panel mount only
- Meets IP67 in unmated condition, IP68 mated
- Feedthru has front and rear USB female mating interface

Jam Nut Mount							
Shell Size	Ø H		J		K Flat		L Thread
	in	mm	in	mm	in	mm	
15	1.638	41.61	1.516	38.51	1.066	27.08	M28 X 1.0-6G 0.100R
	1.614	41.00	1.484	37.69	1.056	26.82	
17	1.764	44.81	1.642	41.71	1.191	30.25	M32 X 1.0-6G 0.100R <sup>4</sup>
	1.740	44.20	1.610	40.89	1.181	30.00	

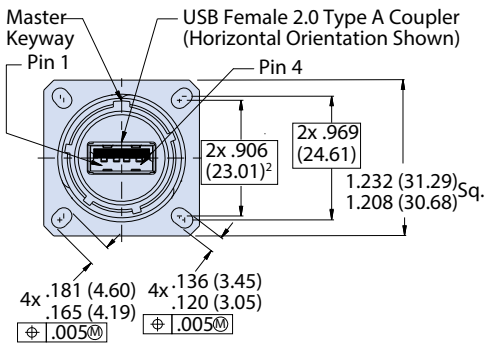
Wall Mount														
Shell Size	A Thread		B Sq		C Bsc		D Bsc <sup>2</sup>		E		F		Ø G Holes	
	in	mm	in	mm	in	mm	in	mm	in	mm	in	mm	in	mm
15	1.0000-1P-.3L-TS-2A	1.232	31.29	.969	24.61	.906	23.01	.136	3.45	0.181	4.60	0.136	3.45	
		1.208	30.68							0.165	4.19			
17	1.1875-1P-.3L-TS-2A	1.323	33.60	1.062	26.97	.969	24.61	0.120	3.05	0.202	5.13	0.120	3.05	
		1.299	32.99							0.186	4.72			

#### 07 - REAR PANEL MOUNT, JAM NUT RECEPTACLE

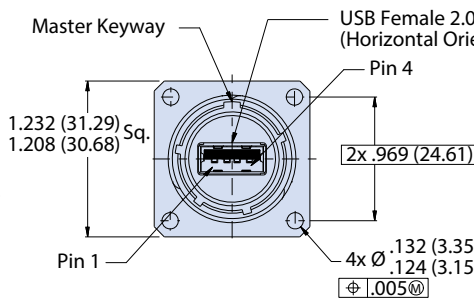


#### 00, D0 AND CM - WALL MOUNT RECEPTACLES

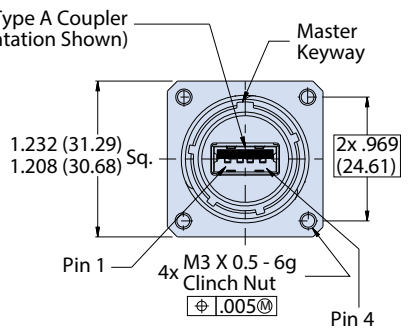
##### 00 - Slotted Hole Receptacle Face View



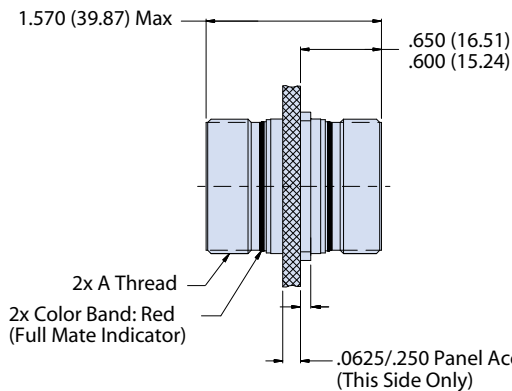
##### D0 - Round Hole Receptacle Face View



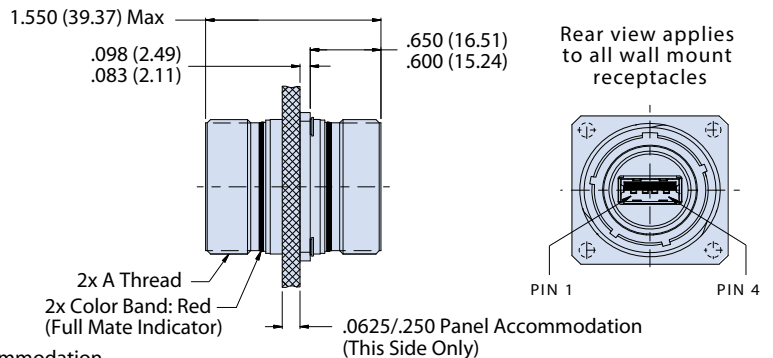
##### CM - Clinch Hole Receptacle Face View



##### 00 and D0 - Receptacle Side View



##### CM - Receptacle Side View



*All external dimensions, features, etc. compliant with D38999/20, /24, &/26. Consult factory for additional information.*