



USB 3.0 TYPE A CONNECTORS

MIL-DTL-38999 Series III Type Connectors

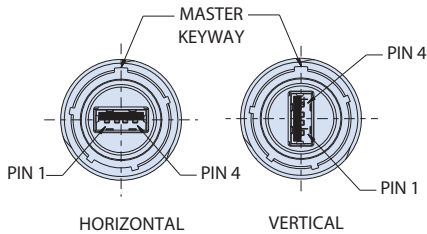


233-353 Panel mount receptacles with solder cups



Part Number Development								
Sample Part Number	233-353	NF	00	-15	3	A	N	H
Basic Number	233-353							
Finish	See Material and Finish table							
Connector Style ¹	See Connector Style table							
Shell Size	15							
USB Performance	3 = USB 3.0							
USB Interface (Front and Back)	A = Type A							
Alternate Key Position ¹	A, B, C, D, E, N = Normal per MIL-DTL-38999							
USB Orientation	H = Horizontal V = Vertical							

USB Receptacle Orientation Options

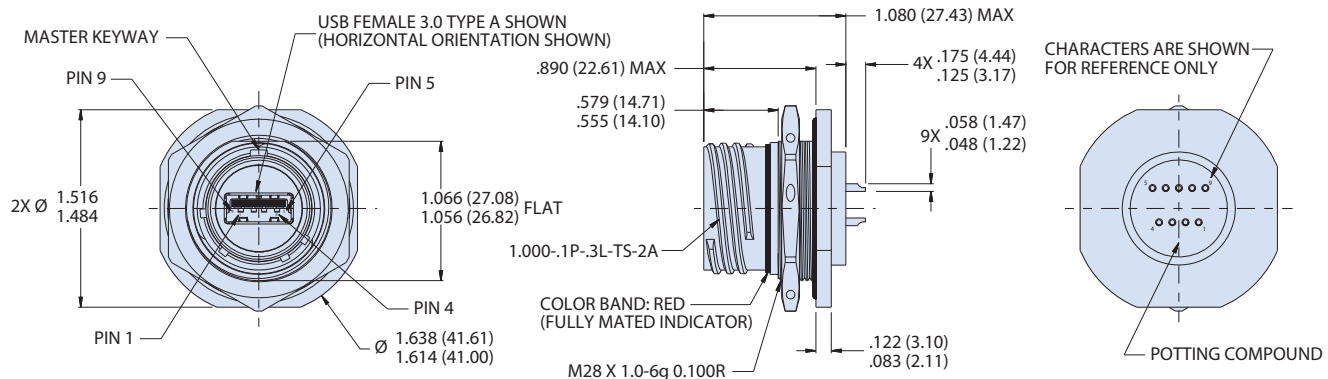


Material and Finish	
NF	Aluminum/Cadmium, Olive Drab
ME	Aluminum/Electroless Nickel
MT	Aluminum/Nickel PTFE
ZR	Aluminum/Black Zinc-Nickel
AB	Marine Bronze
XM	Composite/Electroless Nickel

Additional material / finish options available consult factory

Connector Style	
07	Rear panel mount, jam nut receptacle
00	Wall mount receptacle with slotted holes
D0	Wall mount receptacle with thru-holes
CM	Wall mount receptacle with metric clinch nuts

07 - JAM-NUT MOUNT RECEPTACLE



NOTES

- See Section A for alternate key/keyway positions and panel cutout dimensions
- Meets IP67 in unmated condition, IP68 mated
- USB female port, front
- Rear panel mount only
- Material and Finish
 - Shell, jam nut: al alloy
 - Insulators: high grade rigid dielectric/n.a.
 - Contacts: copper alloy, gold plated
 - Seals: silicone based elastomer

- USB (shell/contacts): copper alloy
- Dielectric: hi-temp thermoplastic PA9T UL94V-0
- Hardware: stainless steel /passivated

All external dimensions, features, etc. compliant with D38999/20, /24, &/26. Consult factory for additional information.

USB 3.0 Wiring		
Pin	Name	Description
1	(V BUS)	+5 V
2	(D-)	USB 2.0 Data
3	(D+)	
4	(GND)	Ground
5	(RX-)	Receiver
6	(RX+)	Receiver
7	(GND)	Ground
8	(TX-)	Transmitter
9	(TX+)	Transmitter



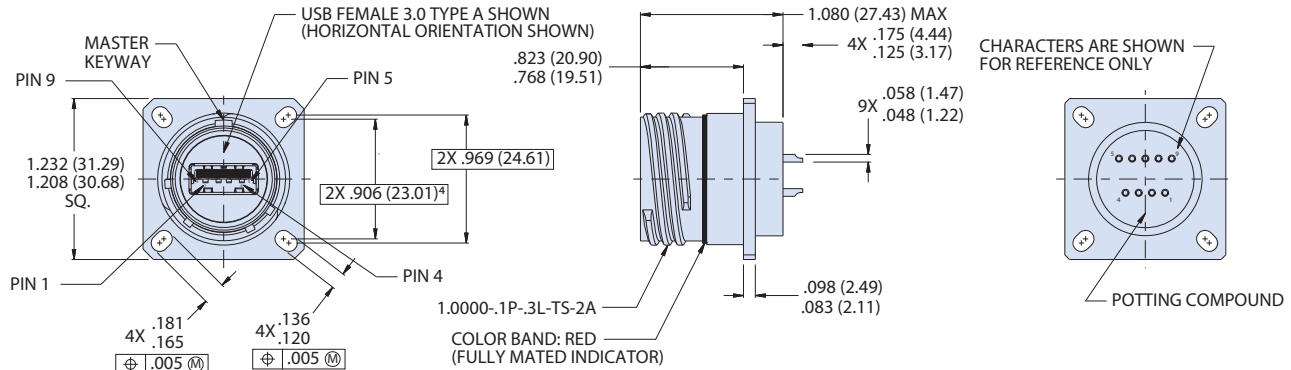
USB 3.0 TYPE A CONNECTORS

MIL-DTL-38999 Series III Type Connectors

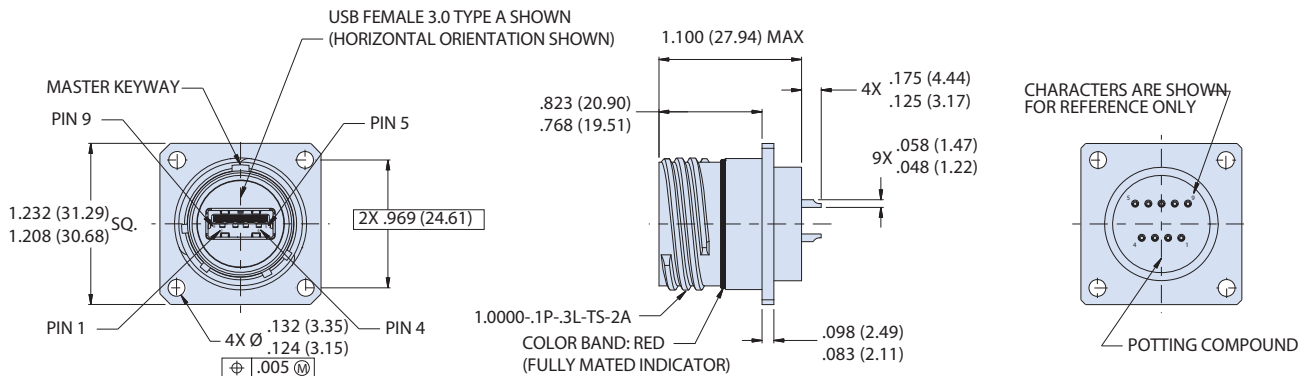


233-353 Panel mount receptacles with solder cups

00 - WALL MOUNT RECEPTACLE WITH SLOTTED THRU-HOLES



DO - WALL MOUNT RECEPTACLE WITH ROUND THRU-HOLES



CM - WALL MOUNT RECEPTACLE WITH METRIC CLINCH NUTS

