



# USB 3.2 TYPE A CONNECTORS

## MIL-DTL-38999 Series III Type Connectors



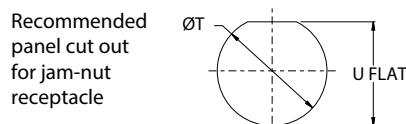
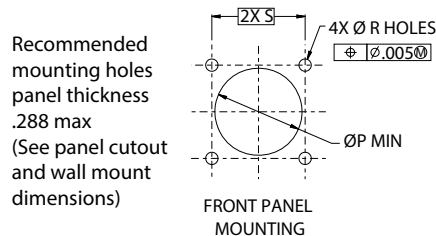
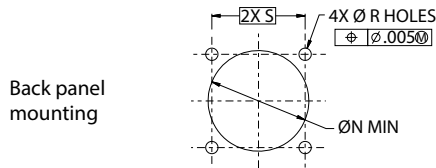
### 233-384 Receptacle Connector with Female USB 3.2 Gen 2 (Type C) Port to Breakout Board



All external dimensions, features, etc. compliant with D38999/20, /24, &/26. Consult factory for additional information.

Material and Finish		
Sym.	Material	Finish Description
NF	aluminum	cadmium, olive drab
ME		electroless nickel (96 hour salt spray)
ZR		zinc nickel, black (tri-valent chromium) RoHS compliant
XM		electroless nickel
Z1	SST	passivate
AB	marine bronze	none (clean only)
Consult factory for other options		

### PANEL CUTOUT DIMENSIONS



### 233-384 Glenair SuperSeal™ USB 3.2 to Breakout Board

SuperSeal USB 3.2 connectors are IP67 open face rated and offer complete protection from environmental debris and water ingress common under harsh environmental conditions. Design meets USB 3.2 Gen 2 (Type C) benchmark data transfer rate requirements for read and write performance requirements.

Part Number Development					
Sample Part Number	233-384	NF	00	-11	N
Basic Number	233-384				
Material / Finish	See Material and Finish table				
Connector Style	00 = Receptacle, Wall Mount, with Slotted Holes D0 = Receptacle, Wall Mount, Round Holes CM = Receptacle, Wall Mount with Metric Clinch Nuts CS = Receptacle, Wall Mount, with Standard Clinch Nuts 07 = Receptacle, Jam-Nut 05 = Receptacle, Inline				
Shell Size	11, 13				
Alternate Polarization	A, B, C, D, E, N = Normal				

Wall Mount Dimensions					
SHELL SIZE	A THREAD	B SQ	B' SQ	C BSC	D BSC
11	.7500-1P-3L-TS-2A	1.043 (26.49) 1.019 (25.88)	1.132 (28.75) 1.092 (27.74)	0.812 (20.62)	0.719 (18.26)
13	.8750-1P-3L-TS-2A	1.138 (28.91) 1.114 (28.30)	1.226 (31.14) 1.186 (30.12)	0.906 (23.01)	0.812 (20.62)

Jam Nut Mount & Inline Dimensions					
SHELL SIZE	F THREAD	ØG	H	J FLAT	K THREAD
11	.7500-1P-3L-TS-2A	1.386 (35.20) 1.362 (34.59)	1.268 (32.21) 1.236 (31.39)	0.755 (19.18) 0.745 (18.92)	M20 X 1.0-6g 0.100R
13	.8750-1P-3L-TS-2A	1.512 (38.40) 1.488 (37.80)	1.390 (35.31) 1.358 (34.49)	0.942 (23.93) 0.932 (23.67)	M25 X 1.0-6g 0.100R

Panel Cutout & Wall Mount Dimensions						
SHELL SIZE	ØN MIN	ØP MIN	R HOLES	S BSC	ØT	U FLAT
11	0.796 (20.22)	0.625 (15.88)	0.133 (3.38)	0.812 (20.62)	0.835 (21.21) 0.825 (20.96)	0.771 (19.58) 0.761 (19.33)
13	0.922 (23.42)	0.750 (19.05)	0.123 (3.12)	0.906 (23.01)	1.020 (25.91) 1.010 (25.65)	0.955 (24.26) 0.945 (24.00)

### NOTES

1. Meets IP67 in unmated condition, IP68 mated
2. Front panel mount only
3. Operating temperature: -20°C to +85°C



# USB 3.2 TYPE A CONNECTORS

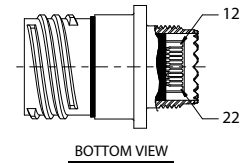
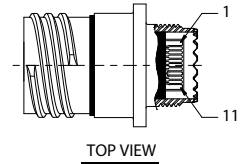
## MIL-DTL-38999 Series III Type Connectors



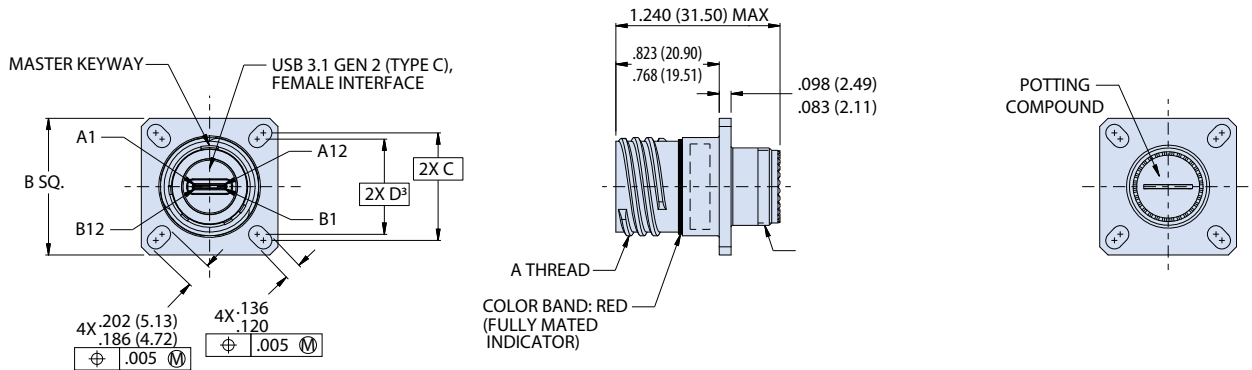
### 233-384 Receptacle Connector with Female USB 3.2 Gen 2 (Type C) Port to Breakout Board

USB Type-C Wiring					
PAD	PIN NAME	DESCRIPTION	PAD	PIN NAME	DESCRIPTION
1	A1,A12	GND	12	B1,B12	GND
2	A2	TX1+	13	B2	TX2+
3	A3	TX1-	14	B3	TX2-
4	A4	VBUS	15	B4	VBUS
5	A5	CC1	16	B5	CC2
6	A6	D+	17	B6	D+
7	A7	D-	18	B7	D-
8	A8	SBU1	19	B8	SBU2
9	A9	VBUS	20	B9	VBUS
10	A10	RX2-	21	B10	RX1-
11	A11	RX2+	22	B11	RX1+

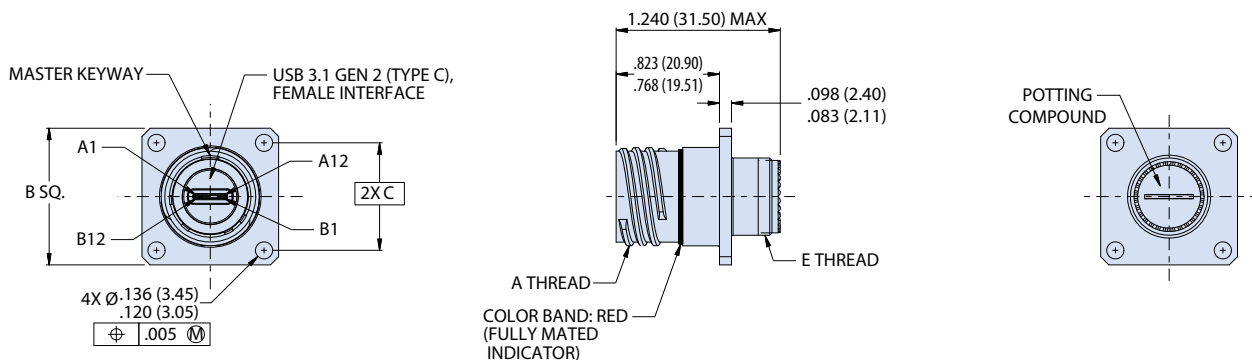
### CONNECTOR PIN ASSIGNMENTS



### 00 - WALL MOUNT RECEPTACLE WITH SLOTTED HOLES



### D0 - WALL MOUNT RECEPTACLE WITH ROUND HOLES





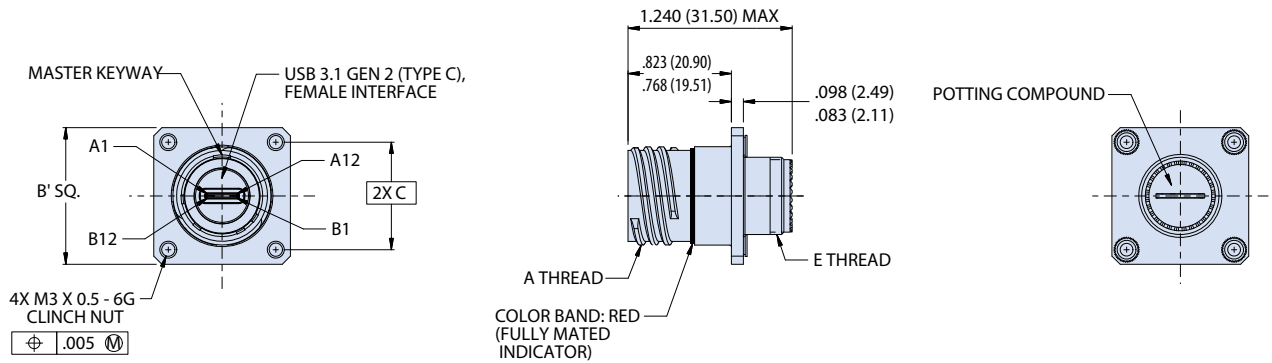
USB 3.2 TYPE A CONNECTORS

MIL-DTL-38999 Series III Type Connectors

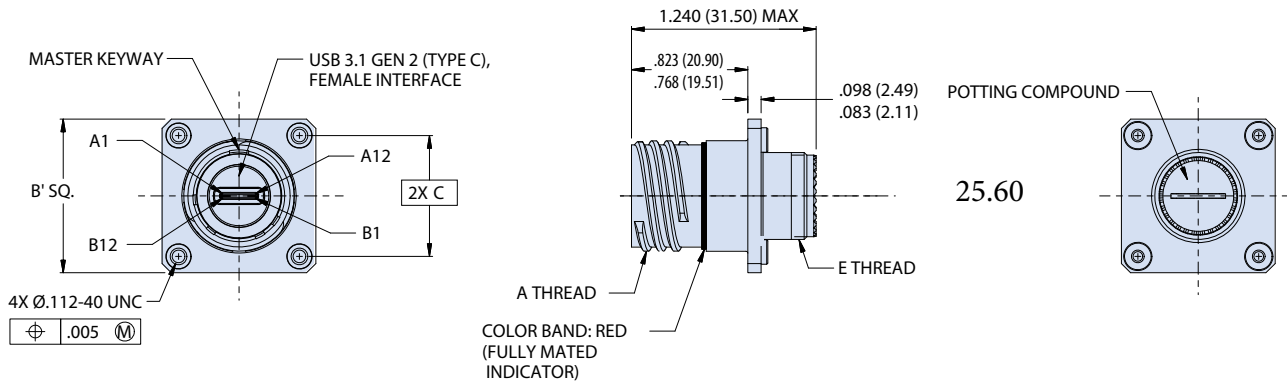


233-384 Receptacle Connector with Female USB 3.2 Gen 2 (Type C) Port to Breakout Board

**CM - WALL MOUNT RECEPTACLE WITH METRIC CLINCH NUTS**



**CS - WALL MOUNT RECEPTACLE WITH STANDARD CLINCH NUTS**



**07 - JAM NUT MOUNT RECEPTACLE**

