



DISPLAYPORT

MIL-DTL-38999 Series III Type Connectors



233-376 Connector receptacle with shielded DisplayPort coupler

N

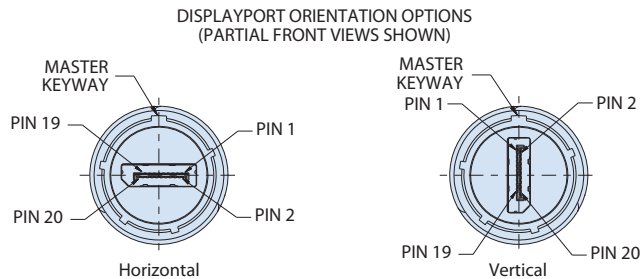
Part Number Development						
Sample Part Number	233-376	NF	00	-17	N	H
Basic Number	233-376					
Finish	See Material and Finish table					
Connector Style	See Connector Style table					
Shell Size	17					
Alternate Key Position	A, B, C, D, E, N = Normal per MIL-DTL-38999					
DisplayPort Orientation	H = Horizontal V = Vertical					

Material and Finish		
NF	Aluminum	Cadmium, Olive Drab Over Electroless Nickel (500 Hour Salt Spray)
ME		Electroless Nickel (96 Hour Salt Spray)
ZR		Black Zinc-Nickel (Tri-Valent CR)
XM	Composite	Electroless Nickel
Z1	Stainless Steel	Passivate
AB	Marine Bronze	None (Clean Only)

Additional material / finish options available consult factory

Wiring Diagram					
Signal Name	P1	P2	Signal Name	P1	P2
ML_LANE 0(p)	1	1	ML_LANE 3(n)	12	12
ML_LANE 0(n)	3	3	GND	11	11
GND	2	2	CONFIG1	13	13
ML_LANE 1(p)	4	4	CONFIG2	14	14
ML_LANE 1(n)	6	6	AUX CH(p)	15	15
GND	5	5	AUX CH(n)	17	17
ML_LANE 2(p)	7	7	GND	16	16
ML_LANE 2(n)	9	9	Hot Plug Detect	18	18
GND	8	8	DP_PWR Return	19	19
ML_LANE 3(p)	10	10	DP_PWR	20	20

Connector Style	
00	Wall mount receptacle with slotted holes
01	Wall mount receptacle with round holes
CM	Wall mount receptacle with metric clinch nuts
CS	Wall mount receptacle with standard clinch nuts
07	Rear panel mount, jam nut receptacle
05	Rear panel mount, inline receptacle



NOTES

- Interpret drawing per ASME Y14.5 - 2009.
- Modified major diameter 31.80 - 31.95 (1.252 - 1.257).
- Material/finishes:
 - Shell, jam nut: see Material/Finish table
 - (Composite coupling nut no plating required).
 - Seals: silicone based elastomer
 - Hardware: stainless steel/passivated
- Displayport specifications:
 - Performance: see note 8.
 - D.W.V.: 500 VAC (unmated)
 - I.R.: 100 Mega ohms min.
 - Operating temperature range: -20°C to +85°C
- Front panel mount only.
- Receptacle connector designed to meet IP67 unmated condition.
- Performance: design meets displayport 1.4 Benchmark data transfer rate requirements.



DISPLAYPORT

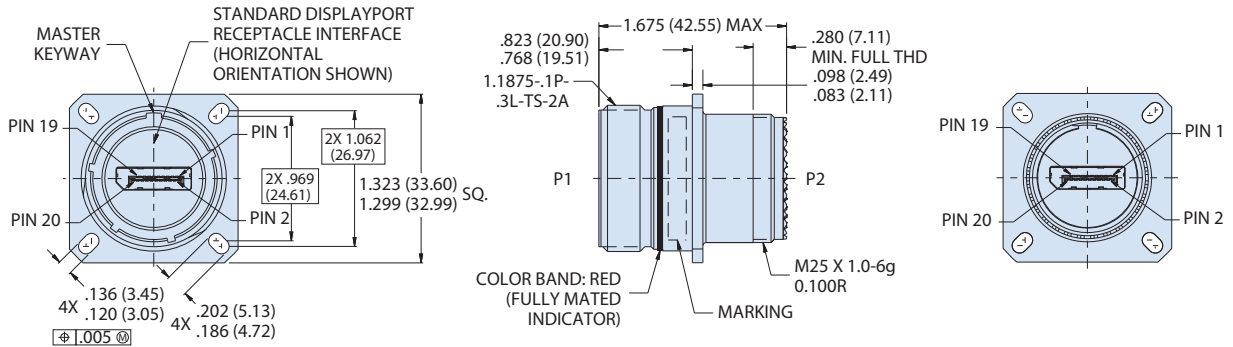
MIL-DTL-38999 Series III Type Connectors



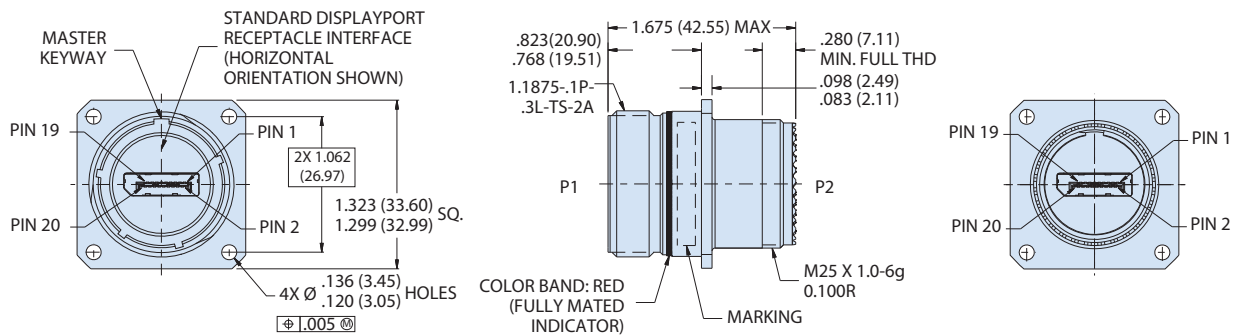
233-376 Connector receptacle with shielded DisplayPort coupler

N

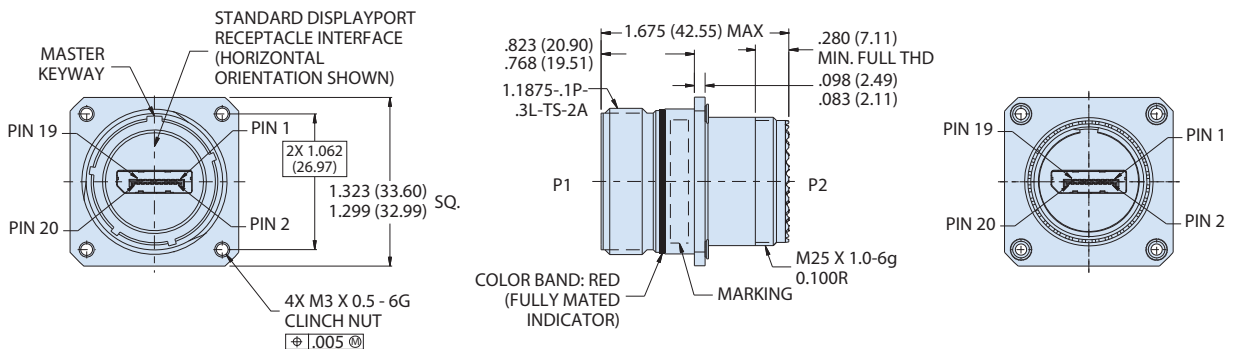
00 - WALL MOUNT RECEPTACLE WITH SLOTTED HOLES



DO - WALL MOUNT RECEPTACLE WITH ROUND HOLES



CM - WALL MOUNT RECEPTACLE WITH METRIC CLINCH NUTS





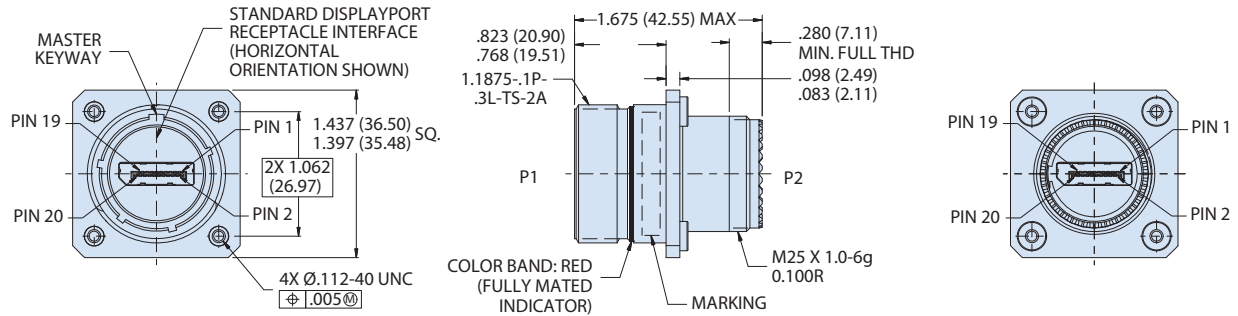
DISPLAYPORT MIL-DTL-38999 Series III Type Connectors



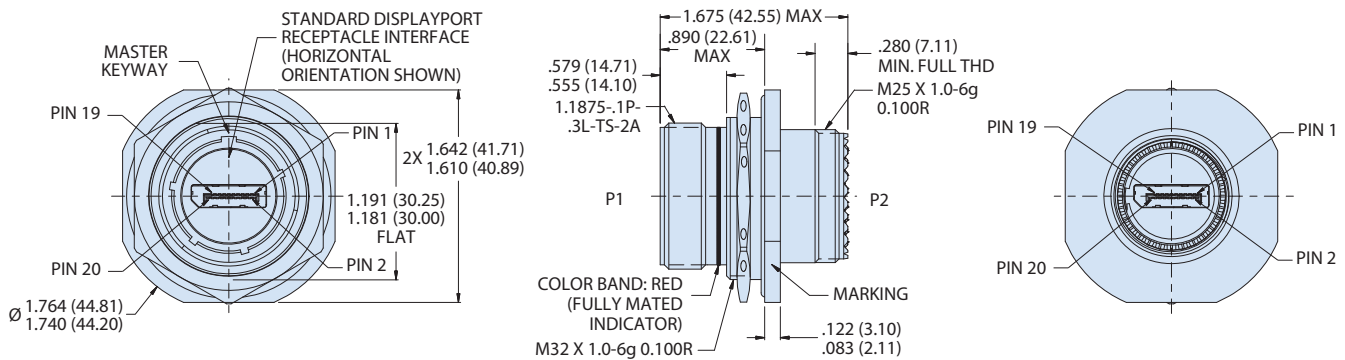
233-376 Connector receptacle with shielded DisplayPort coupler

N

CS - WALL MOUNT RECEPTACLE WITH STANDARD CLINCH NUTS



07 - JAM NUT MOUNT RECEPTACLE



05 - INLINE RECEPTACLE

