



RJ45 ETHERNET AND USB 2.0

# Alternate Key and Keyway Positions

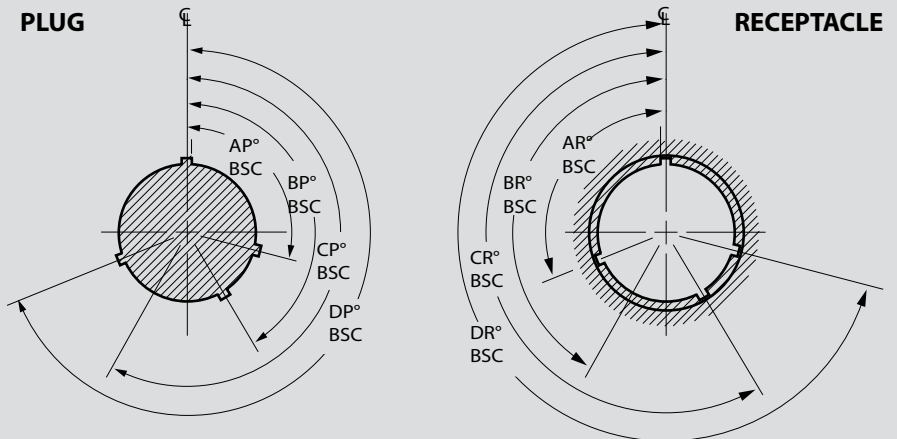


For MIL-DTL-38999 and MIL-DTL 28840 type connectors

## MIL-DTL-38999 POLARIZATION KEY(PLUG) AND KEYWAY (RECEPTACLE) POSITIONS

A

| Alternate Key and Keyway Polarization |                     |                |                |                |                |
|---------------------------------------|---------------------|----------------|----------------|----------------|----------------|
| Shell Size                            | Key and Keyway Code | AR° or AP° BSC | BR° or BP° BSC | CR° or CP° BSC | DR° or DP° BSC |
| 17<br>19                              | N                   | 80             | 142            | 196            | 293            |
|                                       | A                   | 135            | 170            | 200            | 310            |
|                                       | B                   | 49             | 169            | 200            | 244            |
|                                       | C                   | 66             | 140            | 200            | 257            |
|                                       | D                   | 62             | 145            | 180            | 280            |
|                                       | E                   | 79             | 153            | 197            | 272            |



## MIL-DTL-28840 POLARIZATION KEY AND KEYWAY ARRANGEMENTS

| Alternate Key and Keyway Polarization |                     |                |                |                |                |
|---------------------------------------|---------------------|----------------|----------------|----------------|----------------|
| Shell Size                            | Key and Keyway Code | AR° or AP° BSC | BR° or BP° BSC | CR° or CP° BSC | DR° or DP° BSC |
| 15 (C)<br>17 (D)                      | 1                   | 80             | 142            | 196            | 293            |
|                                       | 2                   | 135            | 170            | 200            | 310            |
|                                       | 3                   | 49             | 169            | 200            | 244            |
|                                       | 4                   | 66             | 140            | 200            | 257            |
|                                       | 5                   | 62             | 145            | 180            | 280            |
|                                       | 6                   | 79             | 153            | 197            | 272            |
| 19 (E)                                | 1                   | 80             | 142            | 196            | 293            |
|                                       | 2                   | 135            | 170            | 200            | 310            |
|                                       | 3                   | 49             | 169            | 200            | 244            |
|                                       | 4                   | 66             | 140            | 200            | 257            |
|                                       | 5                   | 62             | 145            | 180            | 280            |
|                                       | 6                   | 79             | 153            | 197            | 272            |

