



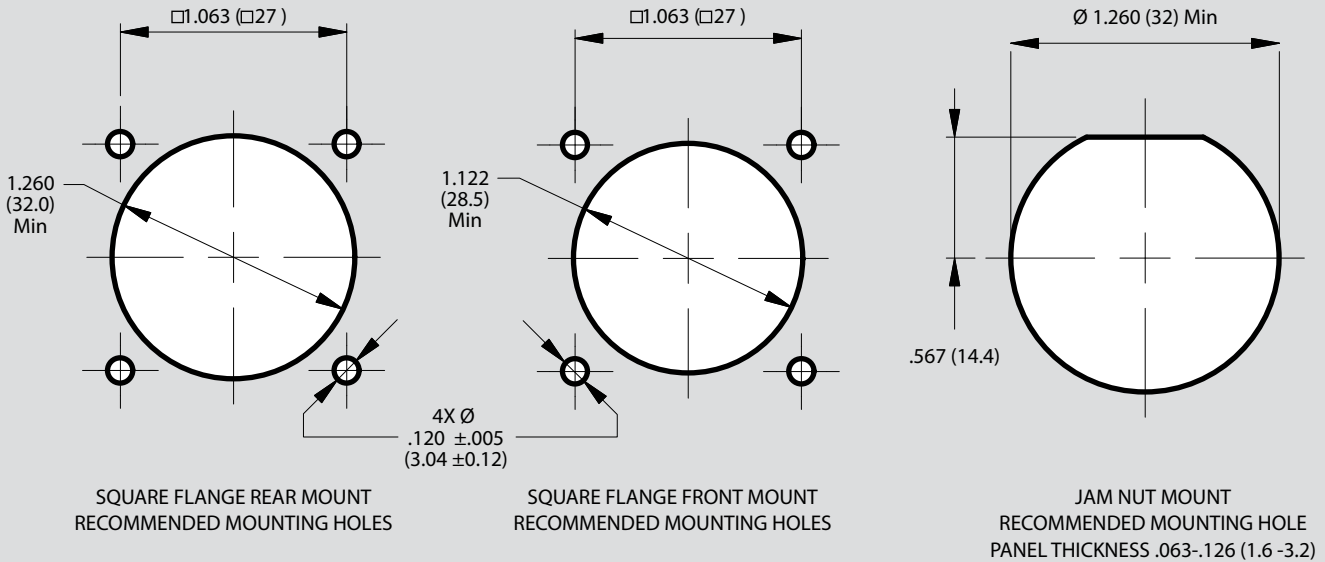
RJ45 ETHERNET AND USB 2.0 Recommended Panel Cutouts



For Glenair Series IPT (MIL-DTL-26482 type) connectors

A

GLENAIR SERIES IPT (26482 TYPE) RJ45 PANEL CUTOUTS FOR SHELL SIZE 18



GLENAIR SERIES IPT (26482 TYPE) USB PANEL CUTOUTS FOR SHELL SIZE 16

