



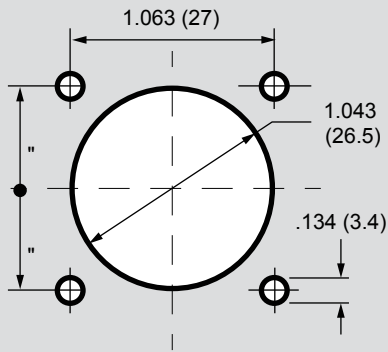
# RJ45 ETHERNET AND USB 2.0 Recommended Panel Cutouts



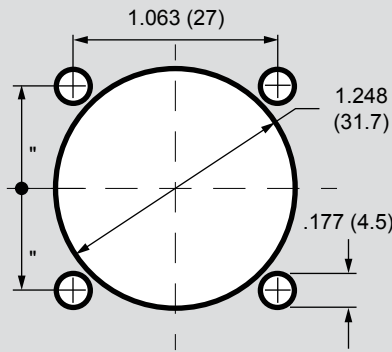
For Glenair Series ITS (5015 Intermountable) connectors

**A**

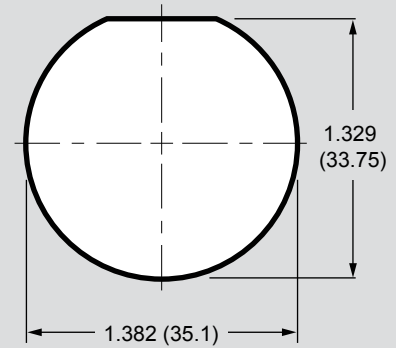
## GLENAIR SERIES ITS (5015 INTERMOUNTABLE) RJ45 PANEL CUTOUTS FOR SHELL SIZE 18



SQUARE FLANGE  
FRONT PANEL MOUNTING

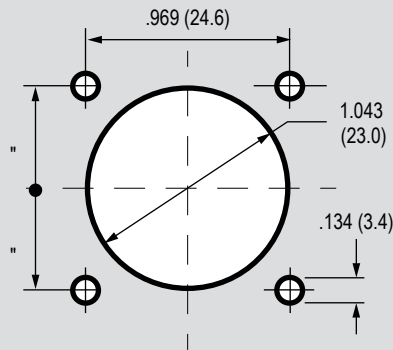


SQUARE FLANGE  
REAR PANEL MOUNTING

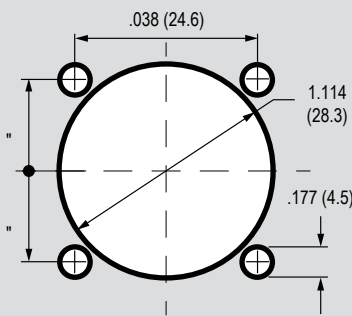


JAM NUT MOUNT

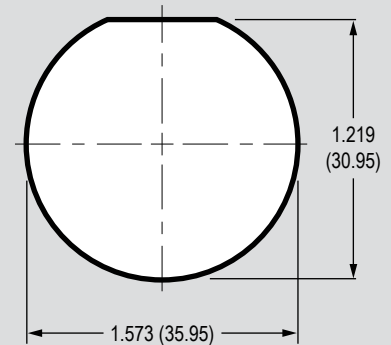
## GLENAIR SERIES ITS (5015 INTERMOUNTABLE) USB PANEL CUTOUTS FOR SHELL SIZE 16



SQUARE FLANGE  
FRONT PANEL MOUNT



SQUARE FLANGE  
REAR PANEL MOUNT



JAM NUT MOUNT