



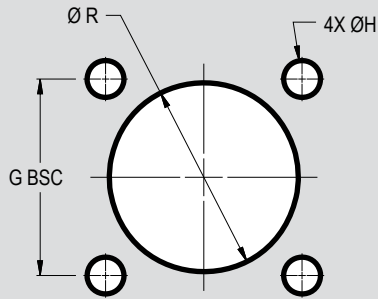
RJ45 ETHERNET AND USB 2.0 Recommended Panel Cutouts



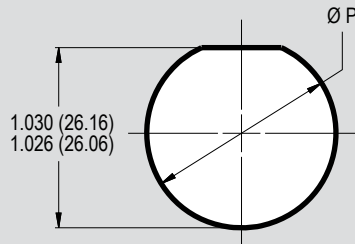
For Mighty Mouse Series 801, 804 and 805
RJ45 ethernet connectors

A

SERIES 801 MIGHTY MOUSE PANEL CUTOUTS FOR SHELL SIZE 17 AND 19



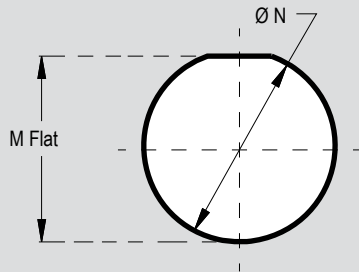
FRONT OR REAR PANEL MOUNT
SQUARE FLANGE RECEPTACLE



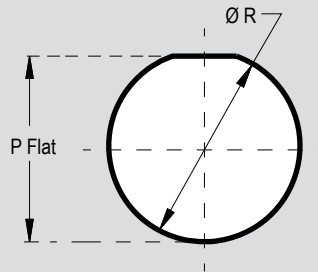
REAR PANEL MOUNT
JAM NUT RECEPTACLE

Panel Cut-Out Dimensions						
Shell Size	Mounting Style	N Flat	Ø P	G BSC	Ø H Holes	Ø R
17	Jam Nut	1.104 (28.04)	1.135 (28.83)	-	-	-
	Square Flange	-	-	1.060 (26.92)	.130 (3.30) .126 (3.20)	1.078 (27.38)
19	Jam Nut	1.235 (31.67)	1.260 (32.00)	-	-	-
	Square Flange	-	-	1.191 (30.25)	.130 (3.30) .126 (3.20)	1.203 (30.56)

SERIES 804 USB MIGHTY MOUSE PANEL CUTOUTS FOR SHELL SIZE 15 AND 16



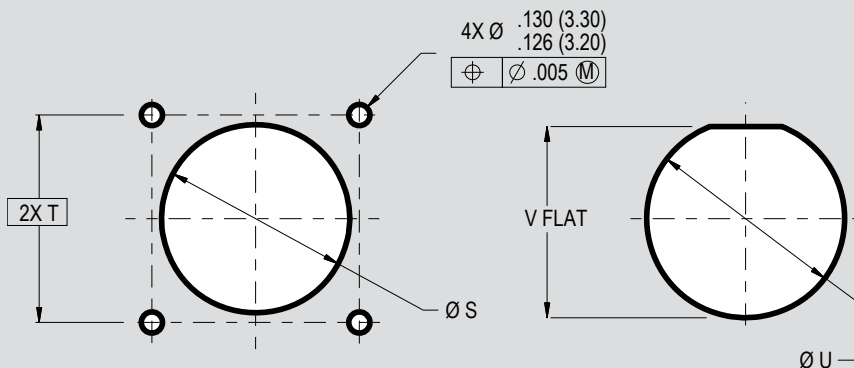
REAR PANEL MOUNT
JAM NUT RECEPTACLE



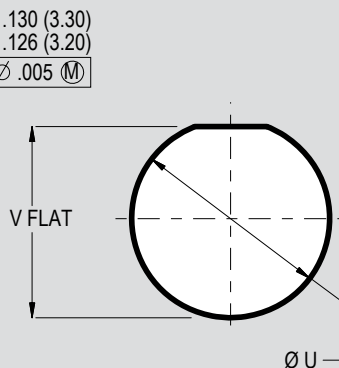
FRONT PANEL MOUNT
JAM NUT RECEPTACLE

Panel Cut-Out Dimensions					
Shell Size	Mounting Style	M Flat	Ø N	P Flat	Ø R
15	Front Mount	-	-	1.015 (25.78) 1.011 (25.68)	1.135 (28.83)
	Rear Mount	1.041 (26.44) 1.037 (26.34)	1.070 (27.18)	-	-
16	Front Mount	-	-	1.157 (29.38) 1.153 (29.27)	1.198 (30.43)
	Rear Mount	1.102 (27.99) 1.098 (27.89)	1.135 (28.83)	-	-

SERIES 805 USB MIGHTY MOUSE PANEL CUTOUTS FOR SHELL SIZE 19 AND 21



FRONT OR REAR PANEL MOUNT
SQUARE FLANGE RECEPTACLE
(NOTE: -12 & -22 REAR MOUNT ONLY
-02 FRONT OR REAR MOUNT)



REAR PANEL MOUNT
JAM NUT RECEPTACLE

Panel Cut-Out Dimensions				
Shell Size	Ø S	T BSC	Ø U	V Flat
19	1.203 (30.56)	1.327 (33.71)	1.262 (32.05) 1.258 (31.95)	1.233 (31.32) 1.229 (31.22)
	1.328 (33.73)	1.452 (36.88)	1.387 (35.23) 1.383 (35.13)	1.360 (34.54) 1.356 (34.44)